



DEPARTMENT OF REGULATORY AND ECONOMIC RESOURCES (RER)  
BOARD AND CODE ADMINISTRATION DIVISION

**NOTICE OF ACCEPTANCE (NOA)**

MIAMI-DADE COUNTY  
PRODUCT CONTROL SECTION  
11805 SW 26 Street, Room 208  
Miami, Florida 33175-2474  
T (786) 315-2590 F (786) 315-2599  
[www.miamidade.gov/economy](http://www.miamidade.gov/economy)

**CertainTeed Ceilings Corporation**  
**5015 Oakbrook Parkway, Suite 100**  
**Norcross, GA 30093**

**SCOPE:**

This NOA is being issued under the applicable rules and regulations governing the use of construction materials. The documentation submitted has been reviewed and accepted by Miami-Dade County RER-Product Control Section to be used in Miami Dade County and other areas where allowed by the Authority Having Jurisdiction (AHJ).

This NOA shall not be valid after the expiration date stated below. The Miami-Dade County Product Control Section (In Miami Dade County) and/or the AHJ (in areas other than Miami Dade County) reserve the right to have this product or material tested for quality assurance purposes. If this product or material fails to perform in the accepted manner, the manufacturer will incur the expense of such testing and the AHJ may immediately revoke, modify, or suspend the use of such product or material within their jurisdiction. RER reserves the right to revoke this acceptance if it is determined by Miami-Dade County Product Control Section that this product or material fails to meet the requirements of the applicable building code.

This product is approved as described herein and has been designed to comply with the Florida Building Code, including the High Velocity Hurricane Zone.

**DESCRIPTION: 300C Vented Aluminum Exterior Ceiling System**

**APPROVAL DOCUMENT:** Drawing No. **300C-B1.0 to 1.10**, titled “300C Product Specifications”, sheets 1 through 11 of 11, dated 04/15/2021, prepared by Wolters Engineering, Inc., signed and sealed by Scott Wolters, P.E. on 01/15/2025, bearing the Miami-Dade County Product Control renewal stamp with the Notice of Acceptance number and expiration date by the Miami-Dade County Product Control Section.

**MISSILE IMPACT RATING: None**

**LABELING:** Each piece shall be permanently marked at not more than 4’ o.c. with a number or marking and the packaging shall include the manufacturer's name or logo, city, state, model number or name, Miami-Dade County NOA number, test standards and net free area per FBC 1709.10.2 and 1709.10.3.

**RENEWAL** of this NOA shall be considered after a renewal application has been filed and there has been no change in the applicable building code negatively affecting the performance of this product.

**TERMINATION** of this NOA will occur after the expiration date or if there has been a revision or change in the materials, use, and/or manufacture of the product or process. Misuse of this NOA as an endorsement of any product, for sales, advertising or any other purposes shall automatically terminate this NOA. Failure to comply with any section of this NOA shall be cause for termination and removal of NOA.

**ADVERTISEMENT:** The NOA number preceded by the words Miami-Dade County, Florida, and followed by the expiration date may be displayed in advertising literature. If any portion of the NOA is displayed, then it shall be done in its entirety.

**INSPECTION:** A copy of this entire NOA shall be provided to the user by the manufacturer or its distributors and shall be available for inspection at the job site at the request of the Building Official.

This NOA **renews NOA # 24-1211.05** and consists of this page 1 and evidence pages E-1, E-2, E-3 and E-4, as well as approval document mentioned above.

The submitted documentation was reviewed by **Carlos M. Utrera, P.E.**



03/03/26

NOA No. 26-0219.02  
Expiration Date: May 5, 2031  
Approval Date: March 12, 2026  
Page 1

**NOTICE OF ACCEPTANCE: EVIDENCE SUBMITTED**

**1. Evidence submitted under NOA # 16-0125.06**

**A. DRAWINGS**

1. Drawing No. **300C**, titled “300C Product Specifications”, sheets 1 through 11 of 11, dated 09/09/2015, prepared by Wolters Engineering, Inc., signed and sealed by Scott Wolters, P.E.

**B. TESTS**

1. Test reports on 1) Uniform Static Air Pressure Test, Loading per FBC TAS 202-94  
2) Cyclic Wind Pressure Loading per FBC, TAS 203-94  
along with marked-up drawings of 300C (16” Configuration) Aluminum Soffit System, prepared by Intertek-Architectural Testing, Inc., Test Report No. **F1394.01-550-18**, dated 11/19/2015, signed and sealed by Justin P. McDonald, P.E.
2. Test reports on 1) Uniform Static Air Pressure Test, Loading per FBC TAS 202-94  
2) Cyclic Wind Pressure Loading per FBC, TAS 203-94  
along with marked-up drawings of 300C (48” Configuration) Aluminum Soffit System, prepared by Intertek-Architectural Testing, Inc., Test Report No. **F1394.02-550-18**, dated 11/19/2015, signed and sealed by Justin P. McDonald, P.E.
3. Test report on Wind Driven Rain Resistance Test per FBC, TAS 100(A)-95 and Tensile Test per ASTM E8/E8M-15a of a 300C Vented Aluminum Soffit, prepared by Intertek-Architectural Testing, Inc., Test Report No. **F1392.01-109-18**, dated 11/30/2015, signed and sealed by Joseph A. Reed, P.E.

**C. CALCULATIONS**

1. Structural and anchorage calculations prepared by Wolters Engineering, Inc., dated 01/19/2016, signed and sealed by Scott Wolters, P.E.

**D. QUALITY ASSURANCE**

1. Miami-Dade Department of Regulatory and Economic Resources (RER)

**E. MATERIAL CERTIFICATIONS**

1. None.

**F. STATEMENTS**

1. Statement letter of code conformance to the 5<sup>th</sup> edition (2014) FBC issued by Wolters Engineering, Inc., dated 01/19/2016, signed and sealed by Scott Wolters, P.E.
2. Statement letter of no financial interest issued by Wolters Engineering, Inc., dated 01/19/2016, signed and sealed by Scott Wolters, P.E.



---

**Carlos M. Utrera, P.E.**  
**Product Control Examiner**  
**NOA No. 26-0219.02**  
**Expiration Date: May 5, 2031**  
**Approval Date: March 12, 2026**

**NOTICE OF ACCEPTANCE: EVIDENCE SUBMITTED**

- 2. Evidence submitted under NOA # 17-0807.11
  - A. DRAWINGS
    - 1. None.
  - B. TESTS
    - 1. None.
  - C. CALCULATIONS
    - 1. None.
  - D. QUALITY ASSURANCE
    - 1. Miami-Dade Department of Regulatory and Economic Resources (RER)
  - E. MATERIAL CERTIFICATIONS
    - 1. None.
  - F. STATEMENTS
    - 1. None.
  - G. OTHERS
    - 1. Company name change request correspondence.



---

Carlos M. Utrera, P.E.  
Product Control Examiner  
NOA No. 26-0219.02  
Expiration Date: May 5, 2031  
Approval Date: March 12, 2026

**NOTICE OF ACCEPTANCE: EVIDENCE SUBMITTED**

**3. Evidence submitted under NOA # 19-0214.02**

**A. DRAWINGS**

1. Drawing No. **300C**, titled “300C Product Specifications”, sheets 1 through 11 of 11, dated 03/01/2019, prepared by Wolters Engineering, Inc., signed and sealed by Scott Wolters, P.E.

**B. TESTS**

1. None.

**C. CALCULATIONS**

1. None.

**D. QUALITY ASSURANCE**

1. Miami-Dade Department of Regulatory and Economic Resources (RER)

**E. MATERIAL CERTIFICATIONS**

1. None.

**F. STATEMENTS**

1. Statement letter of code conformance to the 6<sup>th</sup> edition (2017) FBC issued by Wolters Engineering, Inc., dated 03/22/2019, signed and sealed by Scott Wolters, P.E.
2. Statement letter from Hunter Douglas, Inc. stating the following: a) They have legally sold all assets of the NOA, b) Requesting the existing NOA to be rescinded, c) They no longer manufacture the product under the existing NOA, d) They have given up all the rights to the existing NOA, and e) All the necessary machinery, equipment, and know-how used in the fabrication of the product used for the tests, which were the basis for obtaining the NOA are being sold to the applicant, dated 03/04/2019, signed by Richard Gottuso, Senior Vice-President & General Counsel.
3. Statement letter from CertainTeed Ceilings Corporation stating that they have purchased all the assets relative to the Hunter Douglas, Inc. NOA and requesting that a new NOA be issued under its name, dated 04/05/2019, signed by Carmen A. Bodden, President.

**G. OTHERS**

1. Asset Purchase Agreement dated 07/02/2018, signed by Carmen Bodden, President of CertainTeed Ceilings Corporation and Richard Gottuso, Vice President and General Counsel of Hunter Douglas, Inc.



---

**Carlos M. Utrera, P.E.**  
**Product Control Examiner**  
**NOA No. 26-0219.02**  
**Expiration Date: May 5, 2031**  
**Approval Date: March 12, 2026**

**NOTICE OF ACCEPTANCE: EVIDENCE SUBMITTED**

**4. Evidence submitted under NOA # 21-0308.02 and # 24-1211.05**

**A. DRAWINGS**

1. Drawing No. **300C-B1.0 to 1.10**, titled “300C Product Specifications”, sheets 1 through 11 of 11, dated 04/15/2021, prepared by Wolters Engineering, Inc., signed and sealed by Scott Wolters, P.E. on 01/15/2025.

**B. TESTS**

1. None.

**C. CALCULATIONS**

1. None.

**D. QUALITY ASSURANCE**

1. Miami-Dade Department of Regulatory and Economic Resources (RER).

**E. MATERIAL CERTIFICATIONS**

1. None.

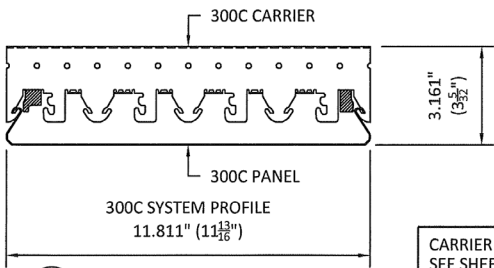
**F. STATEMENTS**

1. Statement letter of code conformance to the 8<sup>th</sup> edition (2023) of the FBC, issued by Wolters Engineering, Inc., dated 01/15/2025, signed and sealed by Scott Wolters, P.E.
2. Statement letter of code conformance to the 7<sup>th</sup> edition (2020) of the FBC, issued by Wolters Engineering, Inc., dated 03/12/2021, signed and sealed by Scott Wolters, P.E.



---

**Carlos M. Utrera, P.E.**  
**Product Control Examiner**  
**NOA No. 26-0219.02**  
**Expiration Date: May 5, 2031**  
**Approval Date: March 12, 2026**



**A**  
**1** TYPICAL SECTION  
SCALE: 3" = 1'-0"

**PRODUCT RENEWED**  
as complying with the Florida  
Building Code  
NOA-No. 26-0219.02  
Expiration Date 05/05/2031  
By *[Signature]*  
Miami-Dade Product Control

**NOTE:** FOR DESIGN WIND PRESSURE(S), SEE TABLE 1 ON SHEET 3

CARRIER SPLICE  
SEE SHEET 5

CARRIER  
OVERHANG  
6" MAX

12 GA HANGER  
WIRE WITHIN 3"  
OF VERTICAL SUPPORT

12 GA HANGER WIRE  
SEE SHEET 3

PANEL BUTT JOINT  
SEE SHEET 6

VERTICAL SUPPORT  
SEE SHEET 4

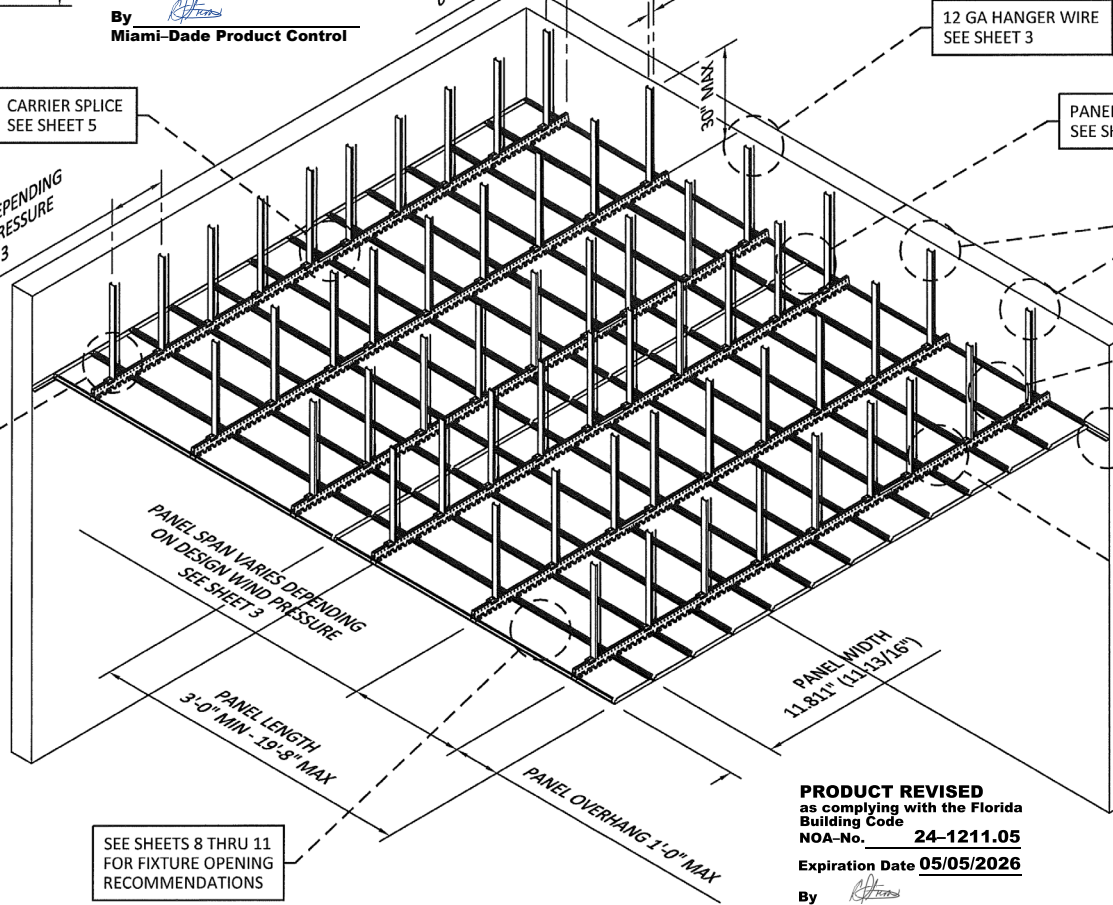
300C PANEL  
SEE SHEET 2

1" WALL ANGLE  
SEE SHEET 7

TYPICAL SYSTEM SECTION  
SEE DETAIL A/1

CARRIER SPAN VARIES DEPENDING  
ON DESIGN WIND PRESSURE  
SEE SHEET 3

SUSPENSION REQUIREMENTS  
SEE SHEET 3



SEE SHEETS 8 THRU 11  
FOR FIXTURE OPENING  
RECOMMENDATIONS

PANEL SPAN VARIES DEPENDING  
ON DESIGN WIND PRESSURE  
SEE SHEET 3

PANEL LENGTH  
3'-0" MIN - 19'-8" MAX

PANEL WIDTH  
11.811" (11 13/16")

PANEL OVERHANG 1'-0" MAX

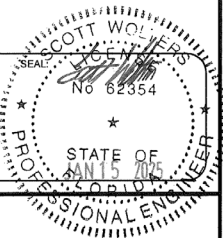
**GENERAL NOTES:**

1. THIS SOFFIT SYSTEM HAS BEEN DESIGNED AND TESTED IN ACCORDANCE WITH THE REQUIREMENTS OF THE FLORIDA BUILDING CODE 8TH EDITION (2023), INCLUDING THE HVHZ PROVISIONS.
2. ANCHOR TYPE, SIZE, SPACING, AND EMBEDMENT SHALL BE AS SPECIFIED IN THESE DRAWINGS. ANCHOR EMBEDMENT TO SUBSTRATE SHALL BE BEYOND WALL DRESSING OR STUCCO.
3. ALL FASTENERS PENETRATING INTO PRESSURE TREATED WOOD SHALL BE CAPABLE OF PREVENTING CORROSION DUE TO REACTION WITH PRESSURE TREATMENT CHEMICALS.
4. DISSIMILAR MATERIALS THAT COME INTO CONTACT SHALL BE PROTECTED TO PREVENT REACTIONS IN ACCORDANCE WITH FBC REQUIREMENTS.
5. A WINDLOAD DURATION FACTOR (Cd) OF 1.6 WAS USED FOR ANALYSIS OF WOOD SCREWS ONLY. THE 1/3 INCREASE IN ALLOWABLE STRESS FOR WIND DESIGN WAS NOT USED.

**PRODUCT REVISED**  
as complying with the Florida  
Building Code  
NOA-No. 24-1211.05  
Expiration Date 05/05/2026  
By *[Signature]*  
Miami-Dade Product Control

SCOTT WOLTERS  
FL PE# 62354

WOLTERS ENGINEERING  
(COA# 27194)  
15211 97TH ROAD N  
WEST PALM BEACH, FL 33412  
PH/FAX:(561) 225-1982



**EXTERIOR INSTALLATION**

ARCHITECTURAL

**CertainTeed**  
SAINT-GOBAIN

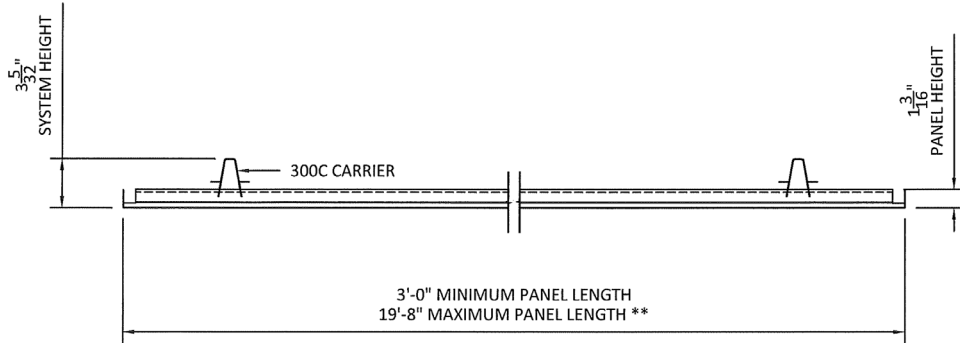
5015 Oakbrook Parkway, Suite 100  
Norcross, GA 30093  
O 800 366 4327  
F 770 806 0214  
www.certainteed.com/architectural

**SPECIFICATIONS**  
(unless noted otherwise)

MATERIAL: .028" ALUMINUM ALLOY 3005-H48 300C PANEL | .040" ALUMINUM ALLOY 5050-H48 300C CARRIER  
FINISH: PAINT | POWDER COAT | DECORATED WOOD FINISH | LUXACOTE  
PERFORMANCE: NON-PERFORATED | #124 (15% OPEN)

**OVERALL ISOMETRIC VIEW**

PROJECT: 300C PRODUCT SPECIFICATIONS  
DRAWING NUMBER: 300C-B1.0  
SHEET: 1 OF 11  
SCALE: AS SHOWN  
DRAWN BY: CTA ENGINEERING  
DATE: 4/15/21

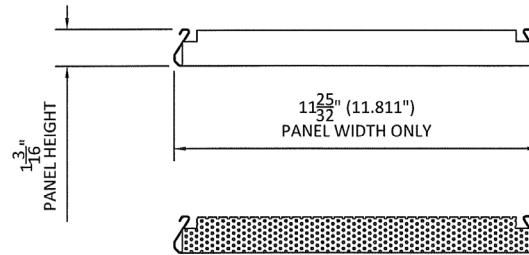


**FACTORY SIDE PANEL VIEW**

SCALE: 6" = 1'-0"

\*VERTICAL SUPPORT OMITTED FOR CLARITY

\*\*PANEL LENGTHS VARIABLE IN 1/8" (.125") INCREMENTS, TOLERANCE +/- 1/8"



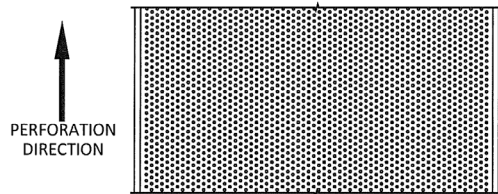
**FACTORY END PANEL VIEW**

SCALE: 3" = 1'-0"

NON-PERFORATED  
FACTORY PANEL END

PERFORATION #124 AT  
FACTORY PANEL END

\*SUSPENSION OMITTED FOR CLARITY



PERFORATION #124  
PERF AREA 15% OPEN  
HOLE DIAMETER 0.078"

**AVAILABLE PERFORATION**

SCALE: 3" = 1'-0"

**PRODUCT RENEWED**  
as complying with the Florida  
Building Code  
NOA-No. 26-0219.02

Expiration Date 05/05/2031

By *[Signature]*  
Miami-Dade Product Control

**300C PANEL MATERIAL THICKNESS**

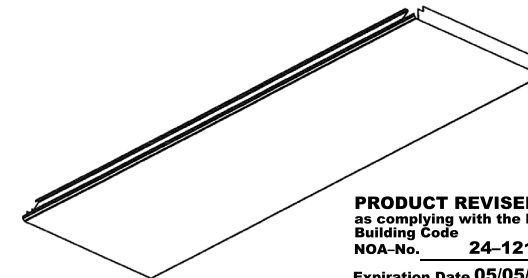
0.028" ALUMINUM

**300C PANEL FINISHES**

PAINTED AND POWDER COAT (INTERIOR AND EXTERIOR)

LUXACOTE (EXTERIOR OR INTERIOR)

DECORATED (POWDER COAT) WOOD FINISH (INTERIOR AND EXTERIOR)



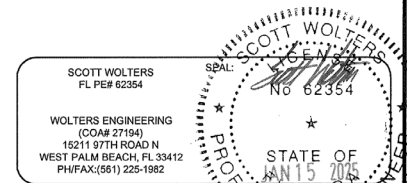
**PANEL MATERIAL/FINISHES**

SCALE: NOT TO SCALE

**PRODUCT REVISED**  
as complying with the Florida  
Building Code  
NOA-No. 24-1211.05

Expiration Date 05/05/2026

By *[Signature]*  
Miami-Dade Product Control



ARCHITECTURAL

**CertainTeed**  
SAINT-GOBAIN

5015 Oakbrook Parkway, Suite 100  
Norcross, GA 30093  
O 800 366 4327  
F 770 806 0214  
www.certainteed.com/architectural

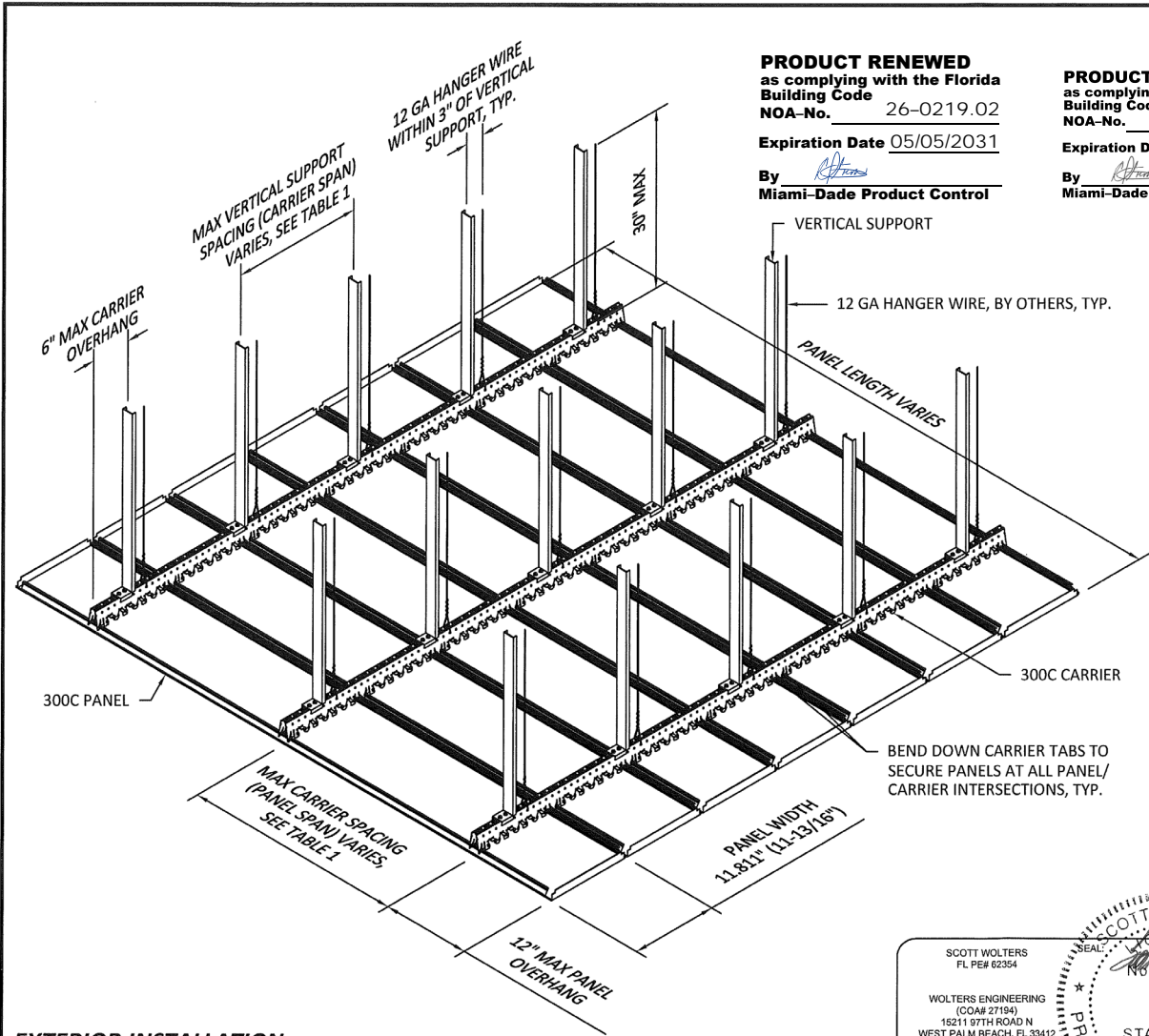
**SPECIFICATIONS**

(unless noted otherwise)

MATERIAL: .028" ALUMINUM ALLOY 3005-H48 300C PANEL | .040" ALUMINUM ALLOY 5050-H48 300C CARRIER  
FINISH: PAINT | POWDER COAT | DECORATED WOOD FINISH | LUXACOTE  
PERFORATION: NON-PERFORATED | #124 (15% OPEN)

**PANEL SPECIFICATIONS**

PROJECT: 300C PRODUCT SPECIFICATIONS  
DRAWING NUMBER: 300C-B1.1  
SHEET: 2 OF 11  
SCALE: AS SHOWN  
DRAWN BY: CTA ENGINEERING  
DATE: 4/15/21



**PRODUCT RENEWED**

as complying with the Florida Building Code  
 NOA-No. 26-0219.02

Expiration Date 05/05/2031

By *[Signature]*  
 Miami-Dade Product Control

**PRODUCT REVISED**  
 as complying with the Florida Building Code  
 NOA-No. 24-1211.05

Expiration Date 05/05/2026

By *[Signature]*  
 Miami-Dade Product Control

**NOTE A:**

CARRIER SPACING (PANEL SPAN) AND CARRIER SPAN (HANGER WIRE & VERTICAL SUPPORT SPACING) VARIES DEPENDING ON DESIGN WIND PRESSURE (POUNDS PER SQUARE FOOT). AS A GENERAL GUIDE, REFER TO THE DETAIL AND WIND LOAD TABLE 1 BELOW FOR CARRIER SPACING AND CARRIER SPAN. THE WIND LOAD CRITERIA IS BASED ON USING 3 OR MORE ROWS OF CARRIER. MAXIMUM PANEL OVERHANG = 12". MAXIMUM CARRIER OVERHANG = 6".

HANGER WIRE (12 GA MIN.) MUST BE LOCATED AT EACH VERTICAL SUPPORT STRUT. VERTICAL SUPPORT STRUT MUST NOT EXCEED SPACING SHOWN FOR A GIVEN DESIGN WIND PRESSURE. SEE DRAWING # 300C-B1.3 FOR VERTICAL SUPPORT SPECIFICATION. HANGER WIRE AND VERTICAL SUPPORT STRUT MUST BE ATTACHED TO STRUCTURE ABOVE TO SAFELY SUPPORT ALL LOADS IMPOSED BY SOFFIT SYSTEM. ATTACHMENT TO STRUCTURE DESIGNED AND PROVIDED BY OTHERS, NOT BY CERTAINTEED.

**300C CARRIER**

MATERIAL: .040" ALUMINUM

FINISH: MATTE BLACK

PART LENGTH: 16'-0"

**TABLE 1 - DESIGN WIND LOAD - 300C EXTERIOR CEILING SYSTEM**

PANEL MATERIAL: .028" ALUMINUM  
 CARRIER MATERIAL: .040" ALUMINUM

ALLOWABLE CARRIER SPACING (PANEL SPAN)  
 ALLOWABLE CARRIER SUPPORT SPACING (HANGER WIRE/VERTICAL SUPPORT SPACING)

\* CARRIER SPACING BASED ON USING 3 OR MORE CARRIERS

\*\* POUNDS PER SQUARE FOOT

DESIGN WIND PRESSURE (POSITIVE OR NEGATIVE PSF**)	CARRIER SPACING * (PANEL SPAN)	CARRIER SPAN (VERTICAL SUPPORT SPACING)
20	48"	20"
25	36"	20"
30	30"	20"
35	26"	20"
40	24"	20"
45	21"	20"
50	20"	20"
55	19"	20"
60	18"	20"
75	16"	20"

SCOTT WOLTERS  
 FL PE# 62354

WOLTERS ENGINEERING  
 (CO# 27194)  
 15211 97TH ROAD N  
 WEST PALM BEACH, FL 33412  
 PH/FAX: (561) 225-1982

STATE OF FLORIDA  
 PROFESSIONAL ENGINEER

**EXTERIOR INSTALLATION**

ARCHITECTURAL

**CertainTeed**  
 SAINT-GOBAIN

5015 Oakbrook Parkway, Suite 100  
 Norcross, GA 30093  
 O 800 366 4327  
 F 770 806 0214  
 www.certainteed.com/architectural

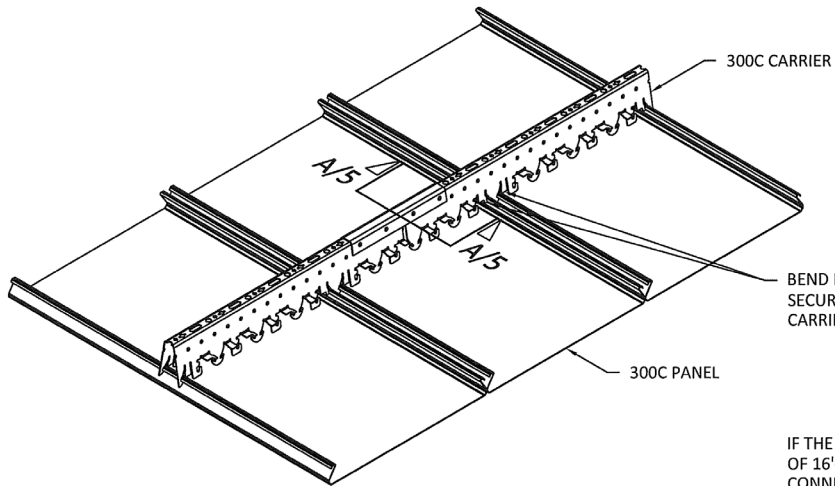
**SPECIFICATIONS**  
 (unless noted otherwise)

MATERIAL: .028" ALUMINUM ALLOY 3005-H48 300C PANEL | .040" ALUMINUM ALLOY 5050-H48 300C CARRIER  
 FINISH: PAINT | POWDER COAT | DECORATED WOOD FINISH | LUXACOTE  
 PERFORATION: NON-PERFORATED | #124 (15% OPEN)

**SUSPENSION SPECIFICATIONS**

PROJECT: 300C PRODUCT SPECIFICATIONS  
 DRAWING NUMBER: 300C-B1.2  
 SHEET: 3 OF 11  
 SCALE: NOT TO SCALE  
 DRAWN BY: CTA ENGINEERING  
 DATE: 4/15/21





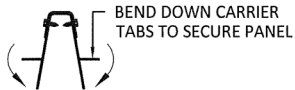
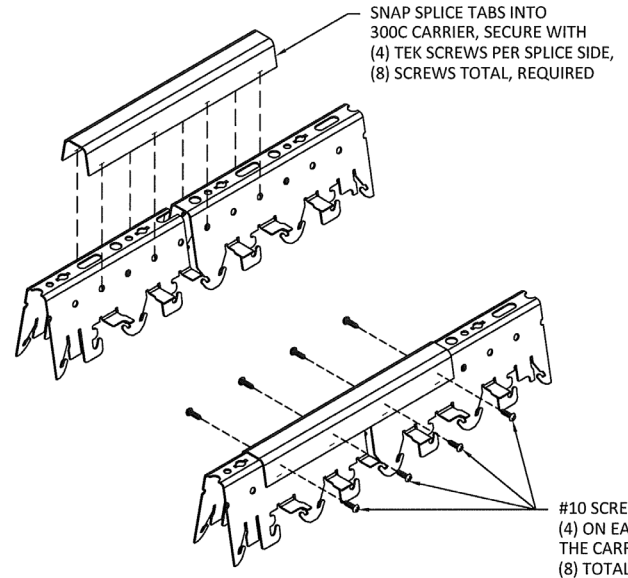
BEND DOWN CARRIER TABS TO SECURE PANELS AT ALL PANEL/CARRIER INTERSECTIONS, TYP.

300C PANEL

300C CARRIER

IF THE DESIRED CARRIER LENGTH EXCEEDS THE MAXIMUM OF 16'-0" [4.880M], USE A LUXALON CARRIER SPLICE, TO CONNECT TWO FACTORY CARRIER ENDS.

THE TABS OF THE SPLICE SNAP INTO THE HOLES IN THE CARRIER AND SECURE WITH TEK SCREWS ON BOTH CARRIER ENDS. THE MODULE IS CONTINUED AUTOMATICALLY.

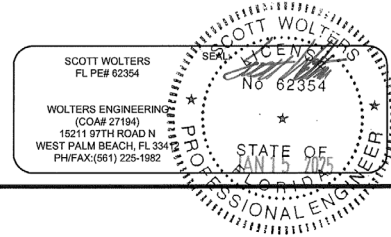


BEND DOWN CARRIER TABS TO SECURE PANEL

**A** SECTION AT CARRIER END  
**5** SCALE: 3" = 1'-0"

**PRODUCT RENEWED**  
as complying with the Florida  
Building Code  
NOA-No. 26-0219.02  
Expiration Date 05/05/2031  
By [Signature]  
Miami-Dade Product Control

**PRODUCT REVISED**  
as complying with the Florida  
Building Code  
NOA-No. 24-1211.05  
Expiration Date 05/05/2026  
By [Signature]  
Miami-Dade Product Control



**EXTERIOR INSTALLATION**

ARCHITECTURAL

**CertainTeed**  
SAINT-GOBAIN

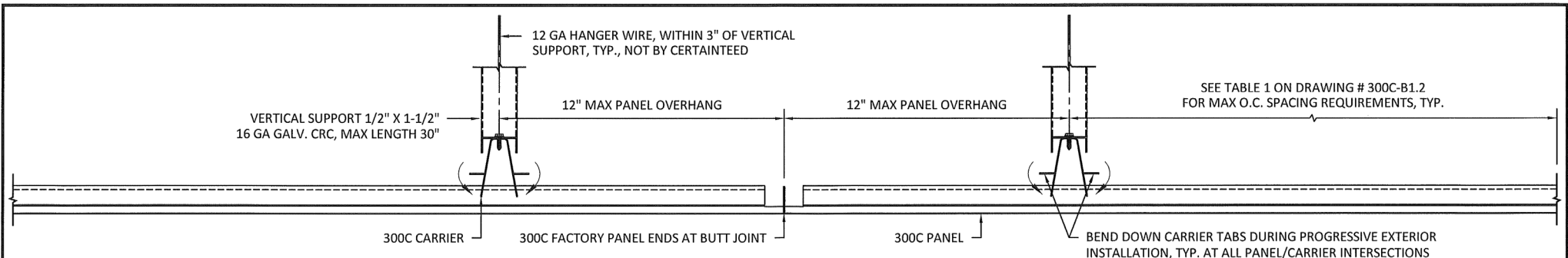
5015 Oakbrook Parkway, Suite 100  
Norcross, GA 30093  
O 800 366 4327  
F 770 806 0214  
www.certainteed.com/architectural

**SPECIFICATIONS**  
(unless noted otherwise)

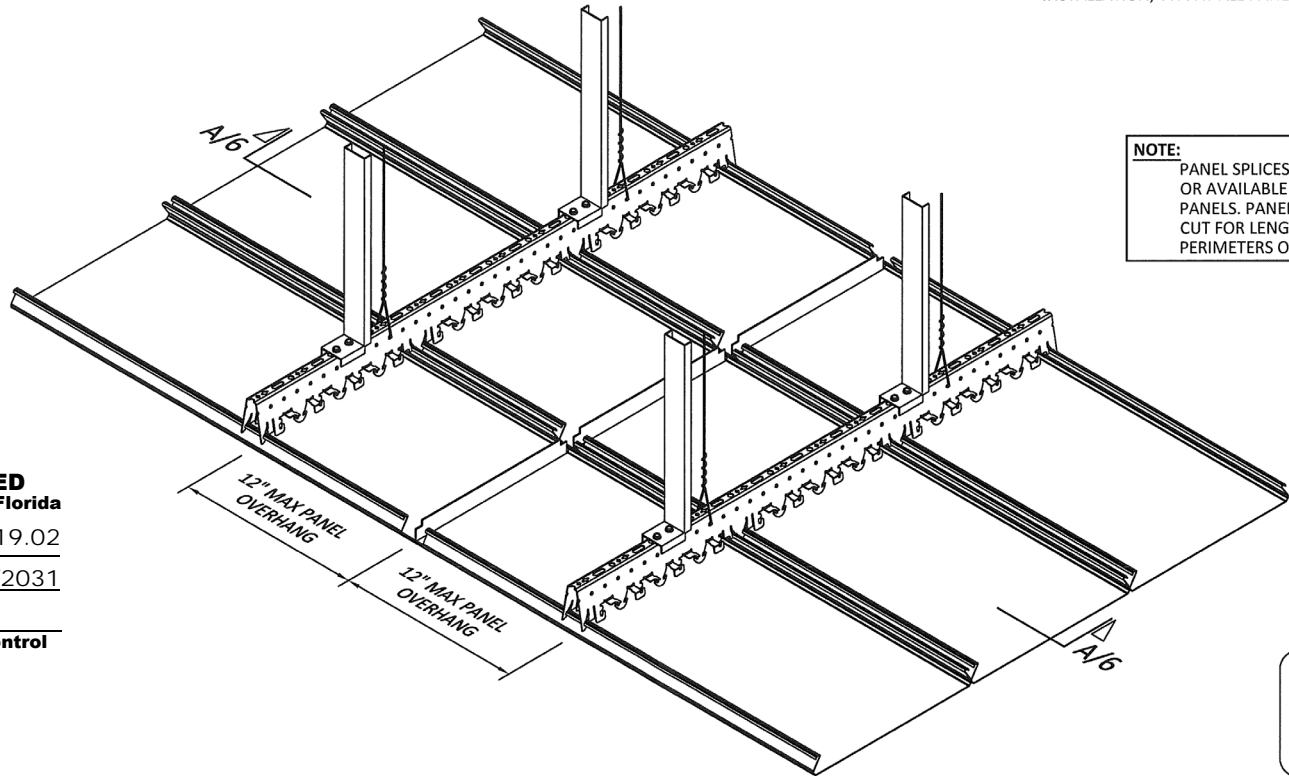
MATERIAL: .028" ALUMINUM ALLOY 3005-H48 300C PANEL | .040" ALUMINUM ALLOY 5050-H48 300C CARRIER  
FINISH: PAINT | POWDER COAT | DECORATED WOOD FINISH | LUXACOTE  
PERFORATION: NON-PERFORATED | #124 (15% OPEN)

**CARRIER SPLICE**

PROJECT: 300C PRODUCT SPECIFICATIONS  
DRAWING NUMBER: 300C-B1.4  
SHEET: 5 OF 11  
SCALE: AS SHOWN  
DRAWN BY: CTA ENGINEERING  
DATE: 4/15/21



**A**  
**6** SECTION AT BUTT JOINT  
SCALE: 3" = 1'-0"

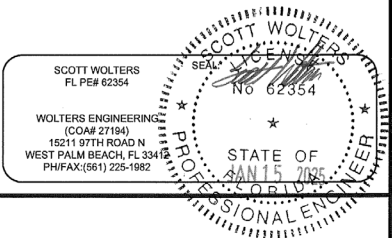


**NOTE:**  
PANEL SPLICES NOT REQUIRED  
OR AVAILABLE FOR 300C  
PANELS. PANELS MAY BE FIELD  
CUT FOR LENGTH AT CEILING  
PERIMETERS ONLY.

**PRODUCT RENEWED**  
as complying with the Florida  
Building Code  
NOA-No. 26-0219.02  
Expiration Date 05/05/2031  
By [Signature]  
Miami-Dade Product Control

**PRODUCT REVISED**  
as complying with the Florida  
Building Code  
NOA-No. 24-1211.05  
Expiration Date 05/05/2026  
By [Signature]  
Miami-Dade Product Control

**EXTERIOR INSTALLATION**



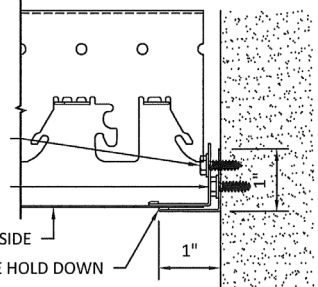
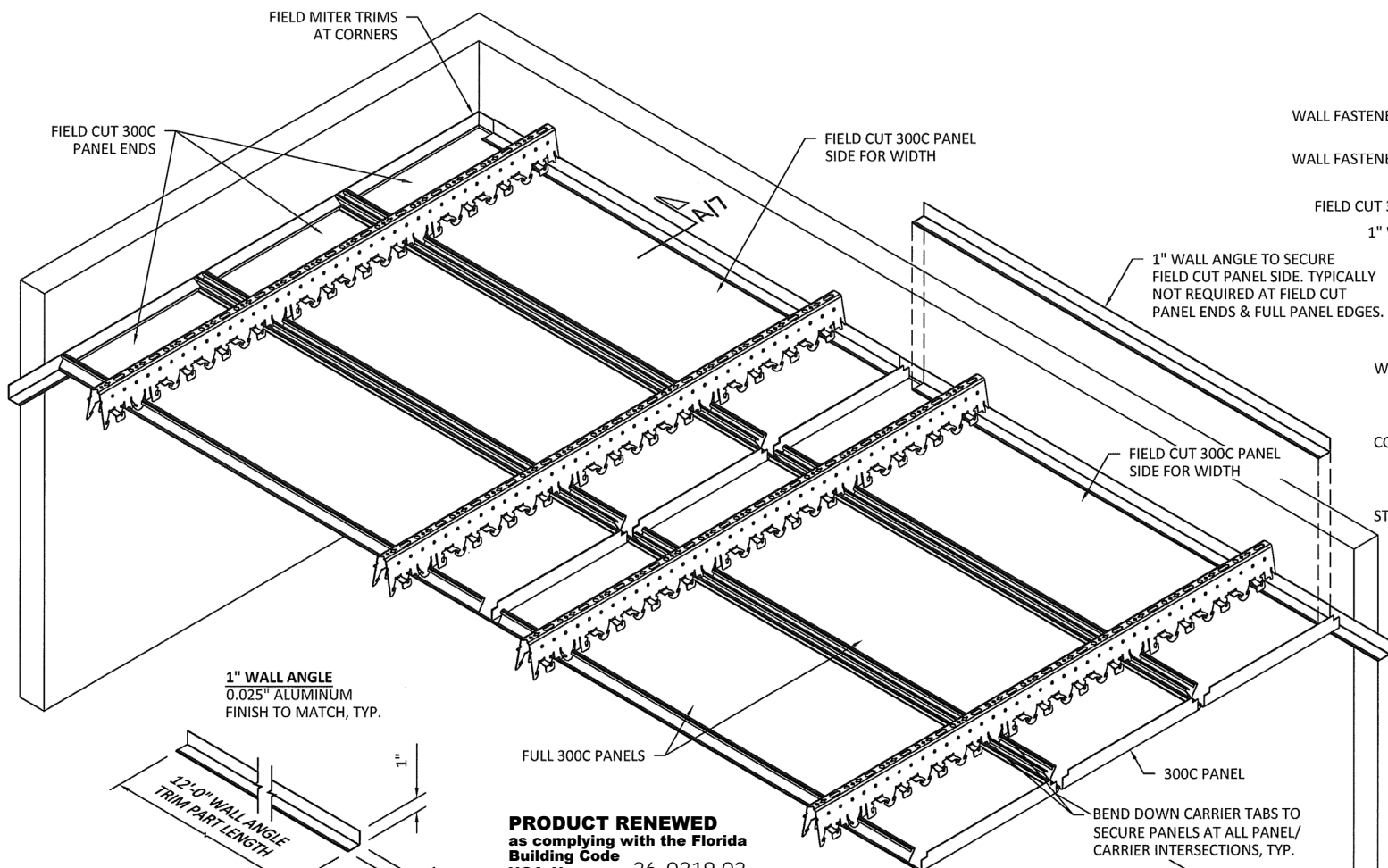
ARCHITECTURAL

**CertainTeed**  
SAINT-GOBAIN

5015 Oakbrook Parkway, Suite 100  
Norcross, GA 30093  
O 800 366 4327  
F 770 806 0214  
www.certainteed.com/architectural

**SPECIFICATIONS**  
(unless noted otherwise)  
MATERIAL: .028" ALUMINUM ALLOY 3005-H48 300C PANEL | .040" ALUMINUM ALLOY 5050-H48 300C CARRIER  
FINISH: PAINT | POWDER COAT | DECORATED WOOD FINISH | LUXACOTE  
PERFORATION: NON-PERFORATED | #124 (15% OPEN)

**PANEL BUTT JOINT**  
PROJECT: 300C PRODUCT SPECIFICATIONS  
DRAWING NUMBER: 300C-B1.5  
SHEET: 6 OF 11  
SCALE: AS SHOWN  
DRAWN BY: CTA ENGINEERING  
DATE: 4/15/21

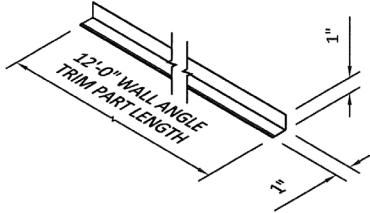


**A**  
**7** SECTION AT WALL ANGLE  
SCALE: 6" = 1'-0"

**WALL FASTENER TYPES\*:**

- WOOD - #10 WOOD SCREW W/  
1-1/2" MIN. EMBED AND  
3/4" MIN. EDGE DISTANCE
- CONCRETE - 3/16" DIA. TAPCON W/  
1-1/4" MIN. EMBED AND  
1-1/2" MIN. EDGE DISTANCE.
- STEEL/ALUM. - #10 TEK SCREW W/ FULL EMBED  
THRU 18 GA. (MIN.) STEEL OR  
1/8" (MIN.) ALUMINUM W/  
3/4" MIN. EDGE DISTANCE.

**1" WALL ANGLE**  
0.025" ALUMINUM  
FINISH TO MATCH, TYP.



FULL 300C PANELS

**PRODUCT RENEWED**  
as complying with the Florida  
Building Code  
NOA-No. 26-0219.02

Expiration Date 05/05/2031

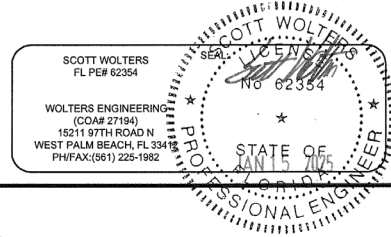
By *[Signature]*  
Miami-Dade Product Control

BEND DOWN CARRIER TABS TO  
SECURE PANELS AT ALL PANEL/  
CARRIER INTERSECTIONS, TYP.

WALL ANGLE TRIM

\*VERTICAL SUPPORT OMITTED FOR CLARITY

**PRODUCT REVISED**  
as complying with the Florida  
Building Code  
NOA-No. 24-1211.05  
Expiration Date 05/05/2026  
By *[Signature]*  
Miami-Dade Product Control



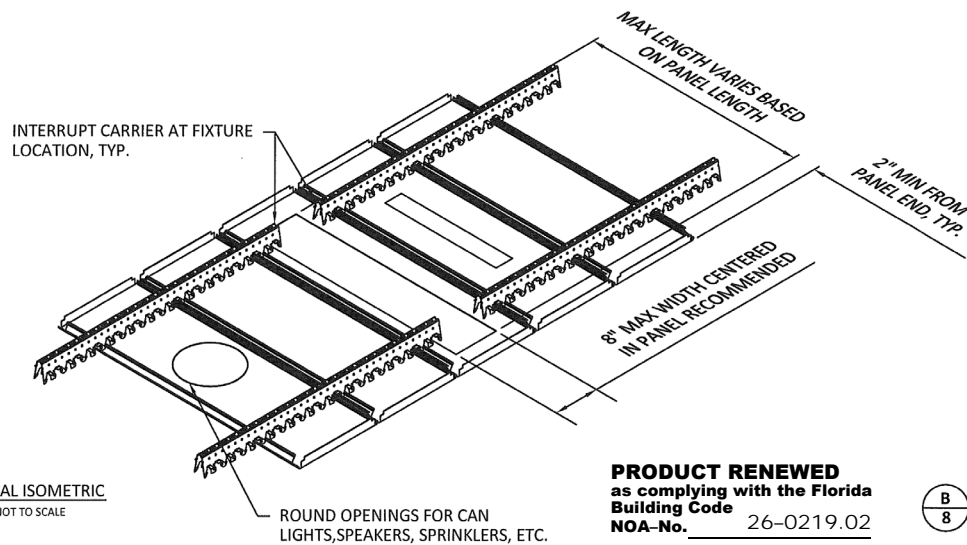
**EXTERIOR INSTALLATION**



5015 Oakbrook Parkway, Suite 100  
Norcross, GA 30093  
O 800 366 4327  
F 770 806 0214  
www.certainteed.com/architectural

**SPECIFICATIONS**  
(unless noted otherwise)  
MATERIAL: .028" ALUMINUM ALLOY 3005-H48 300C PANEL | .040" ALUMINUM  
ALLOY 5050-H48 300C CARRIER  
FINISH: PAINT | POWDER COAT | DECORATED WOOD FINISH | LUXACOTE  
PERFORATION: NON-PERFORATED | #124 (15% OPEN)

**WALL ANGLE TRIM**  
PROJECT: 300C PRODUCT SPECIFICATIONS  
DRAWING NUMBER: 300C-B1.6  
SHEET: 7 OF 11  
SCALE: AS SHOWN  
DRAWN BY: CTA ENGINEERING  
DATE: 4/15/21



**A** TYPICAL ISOMETRIC  
SCALE: NOT TO SCALE

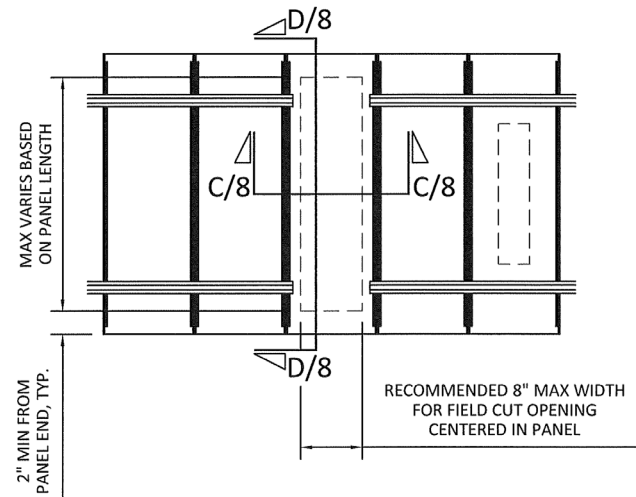
ROUND OPENINGS FOR CAN LIGHTS, SPEAKERS, SPRINKLERS, ETC.

**PRODUCT RENEWED**  
as complying with the Florida Building Code  
NOA-No. 26-0219.02

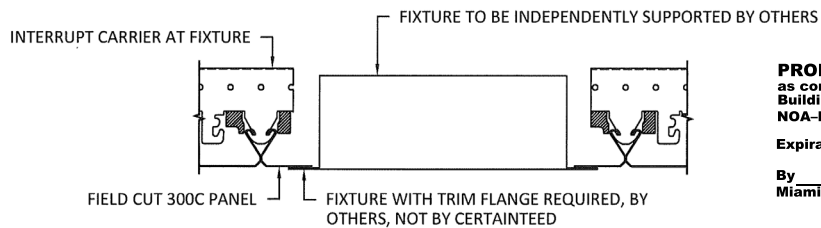
Expiration Date 05/05/2031

By *[Signature]*  
Miami-Dade Product Control

**B** TYPICAL R.C.P.  
SCALE: NOT TO SCALE

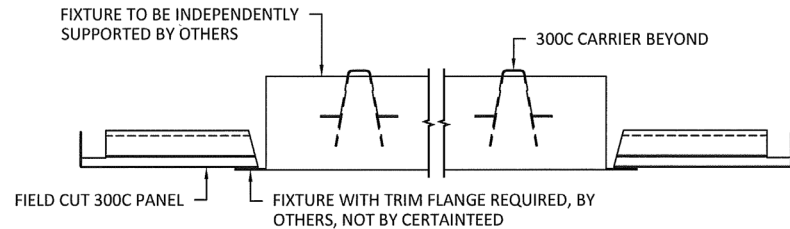


RECOMMENDED 8" MAX WIDTH FOR FIELD CUT OPENING CENTERED IN PANEL



**C** SECTION AT FIXTURE OPENING  
SCALE: 3" = 1'-0"

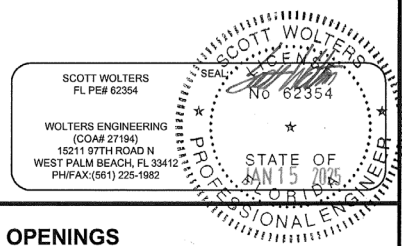
**PRODUCT REVISED**  
as complying with the Florida Building Code  
NOA-No. 24-1211.05  
Expiration Date 05/05/2026  
By *[Signature]*  
Miami-Dade Product Control



**D** SECTION AT FIXTURE OPENING  
SCALE: 3" = 1'-0"

**NOTE:** ROUND OPENINGS LESS THAN EIGHT (8) INCHES DIAMETER TYPICALLY FIELD CUT INTO PANEL FACE, TRIM FOR ALL FIXTURES BY OTHERS, NOT BY CERTAINTEED

\*VERTICAL SUPPORT OMITTED FOR CLARITY

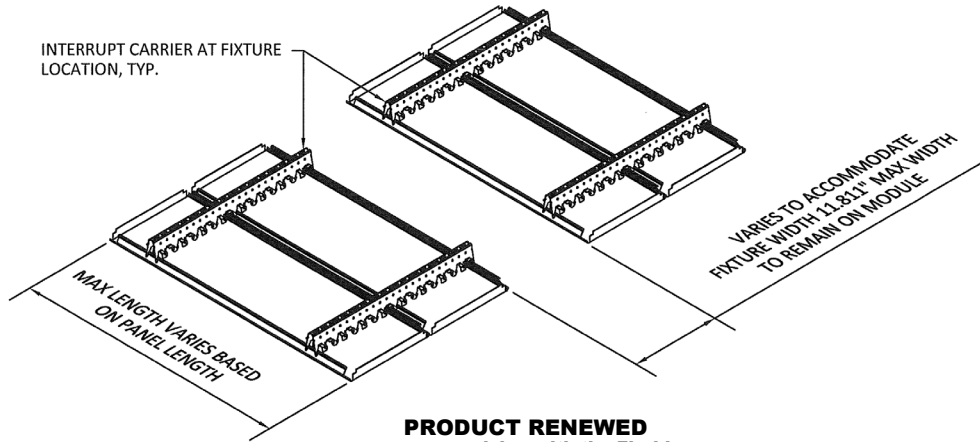


5015 Oakbrook Parkway, Suite 100  
Norcross, GA 30093  
O 800 366 4327  
F 770 806 0214  
www.certainteed.com/architectural

**SPECIFICATIONS**  
(unless noted otherwise)  
MATERIAL: .028" ALUMINUM ALLOY 3005-H48 300C PANEL | .040" ALUMINUM ALLOY 5050-H48 300C CARRIER  
FINISH: PAINT | POWDER COAT | DECORATED WOOD FINISH | LUXACOTE  
PERFORATION: NON-PERFORATED | #124 (15% OPEN)

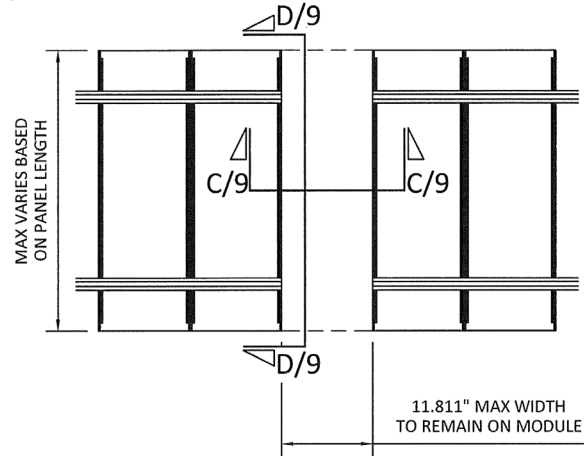
**FIELD CUT PANEL FOR FIXTURE OPENINGS**  
PROJECT: 300C PRODUCT SPECIFICATIONS  
DRAWING NUMBER: 300C-B1.7  
SHEET: 8 OF 11  
SCALE: AS SHOWN  
DRAWN BY: CTA ENGINEERING  
DATE: 4/15/21

INTERRUPT CARRIER AT FIXTURE LOCATION, TYP.

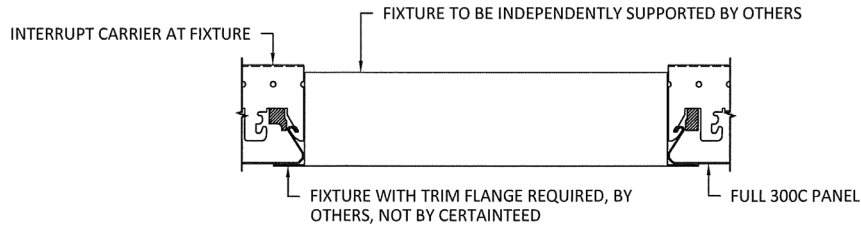


**A** TYPICAL ISOMETRIC  
9 SCALE: NOT TO SCALE

**PRODUCT RENEWED**  
as complying with the Florida  
Building Code  
NOA-No. 26-0219.02  
Expiration Date 05/05/2031  
By *[Signature]*  
Miami-Dade Product Control

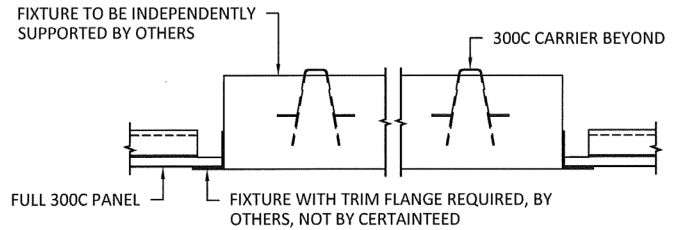


**B** TYPICAL R.C.P.  
9 SCALE: NOT TO SCALE



**C** SECTION AT FIXTURE OPENING  
9 SCALE: 3" = 1'-0"

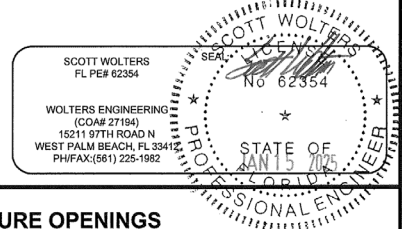
**PRODUCT REVISED**  
as complying with the Florida  
Building Code  
NOA-No. 24-1211.05  
Expiration Date 05/05/2026  
By *[Signature]*  
Miami-Dade Product Control



**D** SECTION AT FIXTURE OPENING  
9 SCALE: 3" = 1'-0"

**NOTE:** FIXTURE WITH TRIM FLANGE NOT BY CERTAINTIED

\*VERTICAL SUPPORT OMITTED FOR CLARITY



5015 Oakbrook Parkway, Suite 100  
Norcross, GA 30093  
O 800 366 4327  
F 770 806 0214  
www.certainteed.com/architectural

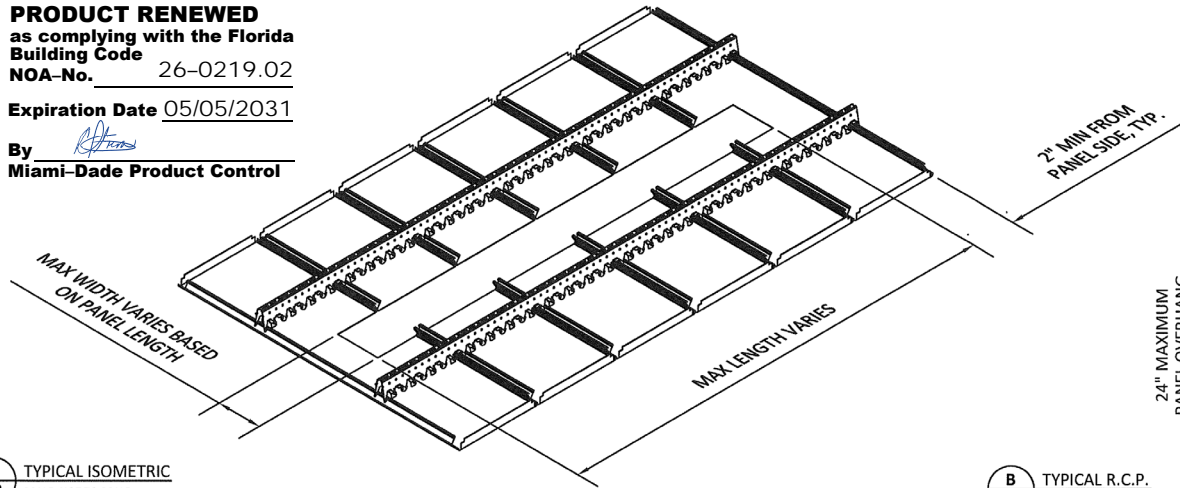
**SPECIFICATIONS**  
(unless noted otherwise)  
MATERIAL: .028" ALUMINUM ALLOY 3005-H48 300C PANEL | .040" ALUMINUM ALLOY 5050-H48 300C CARRIER  
FINISH: PAINT | POWDER COAT | DECORATED WOOD FINISH | LUXACOTE  
PERFORATION: NON-PERFORATED | #124 (16% OPEN)

**INTERRUPTED PANEL FOR FIXTURE OPENINGS**  
PROJECT: 300C PRODUCT SPECIFICATIONS  
DRAWING NUMBER: 300C-B1.8  
SHEET: 9 OF 11  
SCALE: AS SHOWN  
DRAWN BY: CTA ENGINEERING  
DATE: 4/15/21

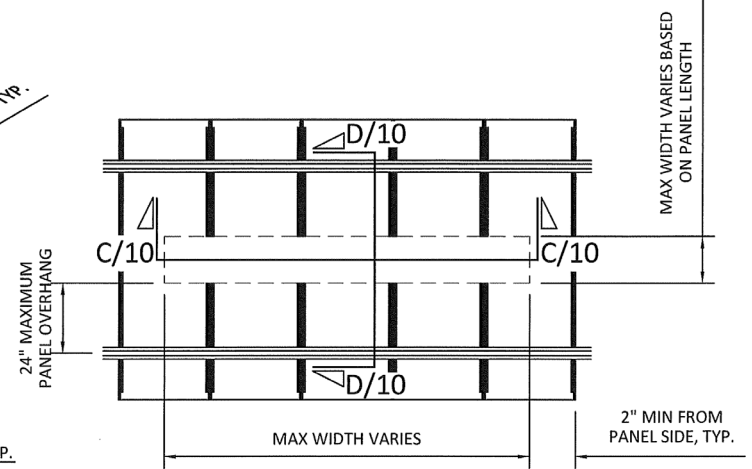
**PRODUCT RENEWED**  
 as complying with the Florida  
 Building Code  
 NOA-No. 26-0219.02

Expiration Date 05/05/2031

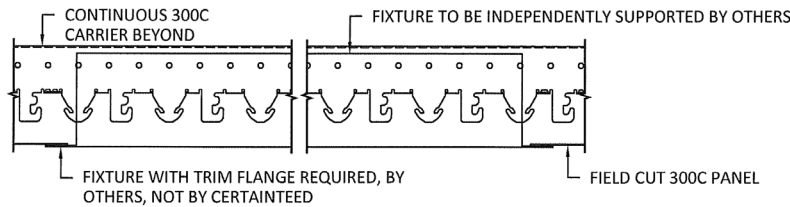
By *[Signature]*  
 Miami-Dade Product Control



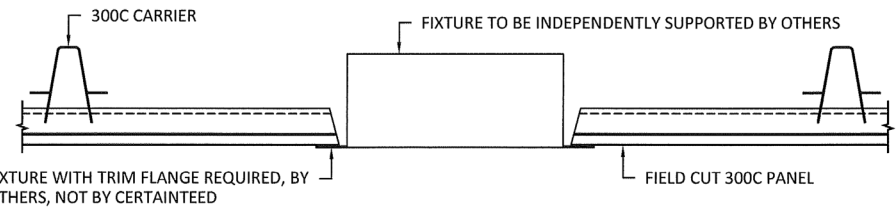
**A**  
 10 TYPICAL ISOMETRIC  
 SCALE: NOT TO SCALE



**B**  
 10 TYPICAL R.C.P.  
 SCALE: NOT TO SCALE

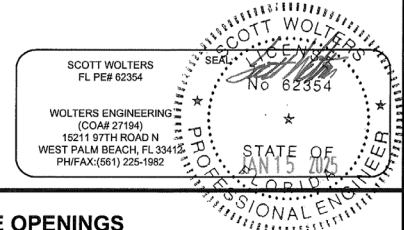


**C**  
 10 SECTION AT FIXTURE OPENING  
 SCALE: 3" = 1'-0"



**D**  
 10 SECTION AT FIXTURE OPENING  
 SCALE: 3" = 1'-0"

**PRODUCT REVISED**  
 as complying with the Florida  
 Building Code  
 NOA-No. 24-1211.05  
 Expiration Date 05/05/2026  
 By *[Signature]*  
 Miami-Dade Product Control



**NOTE:** ROUND OPENINGS LESS THAN EIGHT (8) INCHES DIAMETER TYPICALLY FIELD CUT INTO PANEL FACE, TRIM FOR ALL FIXTURES BY OTHERS, NOT BY CERTAINTEED

\*VERTICAL SUPPORT OMITTED FOR CLARITY

ARCHITECTURAL

**CertainTeed**  
 SAINT-GOBAIN

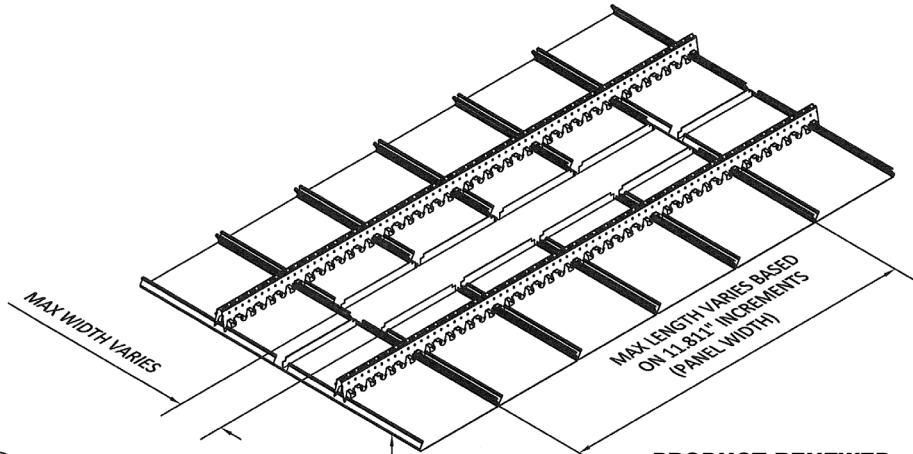
5015 Oakbrook Parkway, Suite 100  
 Norcross, GA 30093  
 O 800 366 4327  
 F 770 806 0214  
 www.certainteed.com/architectural

**SPECIFICATIONS**  
 (unless noted otherwise)

MATERIAL: .028" ALUMINUM ALLOY 3005-H48 300C PANEL | .040" ALUMINUM ALLOY 5050-H48 300C CARRIER  
 FINISH: PAINT | POWDER COAT | DECORATED WOOD FINISH | LUXACOTE  
 PERFORMANCE: NON-PERFORATED | #124 (15% OPEN)

**FIELD CUT PANEL FOR FIXTURE OPENINGS**

PROJECT: 300C PRODUCT SPECIFICATIONS  
 DRAWING NUMBER: 300C-B1.9  
 SHEET: 10 OF 11  
 SCALE: AS SHOWN  
 DRAWN BY: CTA ENGINEERING  
 DATE: 4/15/21



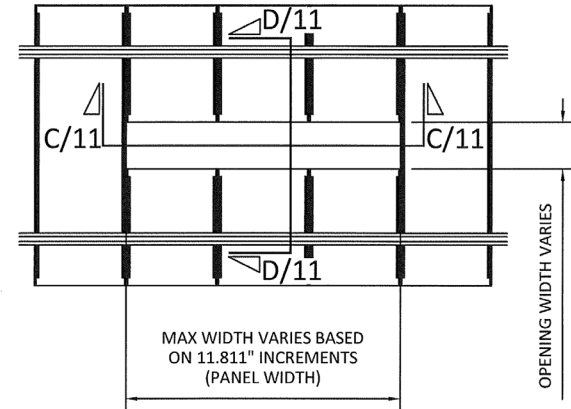
**A**  
11 TYPICAL ISOMETRIC  
SCALE: NOT TO SCALE

PANEL LENGTHS FACTORY  
FABRICATED TO MAINTAIN  
PANEL SEAM MODULE

**PRODUCT RENEWED**  
as complying with the Florida  
Building Code  
NOA-No. 26-0219.02

Expiration Date 05/05/2031

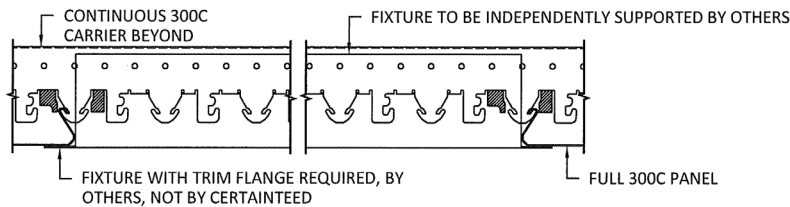
By *[Signature]*  
Miami-Dade Product Control



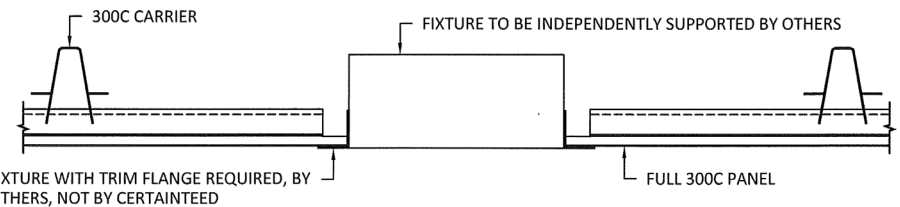
**B**  
11 TYPICAL R.C.P.  
SCALE: NOT TO SCALE

MAX WIDTH VARIES BASED  
ON 11.811" INCREMENTS  
(PANEL WIDTH)

OPENING WIDTH VARIES



**C**  
11 SECTION AT FIXTURE OPENING  
SCALE: 3" = 1'-0"

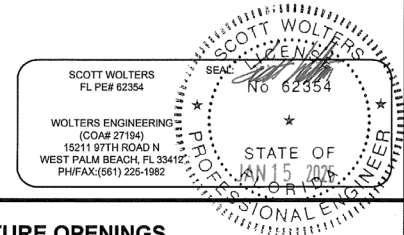


**D**  
11 SECTION AT FIXTURE OPENING  
SCALE: 3" = 1'-0"

**PRODUCT REVISED**  
as complying with the Florida  
Building Code  
NOA-No. 24-1211.05

Expiration Date 05/05/2026

By *[Signature]*  
Miami-Dade Product Control



**NOTE:** FIXTURE WITH TRIM FLANGE NOT BY CERTAINTEED

\*VERTICAL SUPPORT OMITTED FOR CLARITY

ARCHITECTURAL

**CertainTeed**  
SAINT-GOBAIN

5015 Oakbrook Parkway, Suite 100  
Norcross, GA 30093  
O 800 366 4327  
F 770 806 0214  
www.certainteed.com/architectural

**SPECIFICATIONS**  
(unless noted otherwise)

MATERIAL: .028" ALUMINUM ALLOY 3005-H48 300C PANEL | .040" ALUMINUM  
ALLOY 5050-H48 300C CARRIER  
FINISH: PAINT | POWDER COAT | DECORATED WOOD FINISH | LUXACOTE  
PERFORMANCE: NON-PERFORATED | #124 (15% OPEN)

**INTERRUPTED PANEL FOR FIXTURE OPENINGS**

PROJECT: 300C PRODUCT SPECIFICATIONS  
DRAWING NUMBER: 300C-B1.10  
SHEET: 11 OF 11  
SCALE: AS SHOWN  
DRAWN BY: CTA ENGINEERING  
DATE: 4/15/21