



DEPARTMENT OF REGULATORY AND ECONOMIC RESOURCES (RER)  
BOARD AND CODE ADMINISTRATION DIVISION

**NOTICE OF ACCEPTANCE (NOA)**

MIAMI-DADE COUNTY  
PRODUCT CONTROL SECTION  
11805 SW 26 Street, Room 208  
Miami, Florida 33175-2474  
T (786) 315-2590 F (786) 315-2599  
[www.miamidade.gov/economy](http://www.miamidade.gov/economy)

**Reliable Products a div. of Ruskin Company**  
**1300 Enterprise Rd. (PO Box 580)**  
**Geneva, AL 36340**

**SCOPE:**

This NOA is being issued under the applicable rules and regulations governing the use of construction materials. The documentation submitted has been reviewed and accepted by Miami-Dade County RER-Product Control Section to be used in Miami Dade County and other areas where allowed by the Authority Having Jurisdiction (AHJ).

This NOA shall not be valid after the expiration date stated below. The Miami-Dade County Product Control Section (In Miami Dade County) and/or the AHJ (in areas other than Miami Dade County) reserve the right to have this product or material tested for quality assurance purposes. If this product or material fails to perform in the accepted manner, the manufacturer will incur the expense of such testing and the AHJ may immediately revoke, modify, or suspend the use of such product or material within their jurisdiction. RER reserves the right to revoke this acceptance if it is determined by Miami-Dade County Product Control Section that this product or material fails to meet the requirements of the applicable building code.

This product is approved as described herein and has been designed to comply with the Florida Building Code, including the High Velocity Hurricane Zone.

**DESCRIPTION: Model 5DDWRDCV Aluminum Louver**

**APPROVAL DOCUMENT:** Drawing No. **60-022764-00D**, titled "5DDWRDCV / Wind-Driven Rain Resistant Louver", sheets 1 through 17 of 17, dated 12/12/2025, with last revision dated 01/13/2026, prepared by Reliable Products a div. of Ruskin Company, signed and sealed by Jeffrey D. Smith, P.E., bearing the Miami-Dade County Product Control approval stamp with the Notice of Acceptance number and expiration date by the Miami-Dade County Product Control Section.

**MISSILE IMPACT RATING: Large and Small Missile Impact Resistant**

**LABELING:** Each unit shall bear a permanent label with the manufacturer's name or logo, Geneva, AL or Juarez, Chihuahua C.P., Mexico, model/series, and following statement: "Miami-Dade County Product Control Approved", unless otherwise noted herein.

**RENEWAL** of this NOA shall be considered after a renewal application has been filed and there has been no change in the applicable building code negatively affecting the performance of this product.

**TERMINATION** of this NOA will occur after the expiration date or if there has been a revision or change in the materials, use, and/or manufacture of the product or process. Misuse of this NOA as an endorsement of any product, for sales, advertising or any other purposes shall automatically terminate this NOA. Failure to comply with any section of this NOA shall be cause for termination and removal of NOA.

**ADVERTISEMENT:** The NOA number preceded by the words Miami-Dade County, Florida, and followed by the expiration date may be displayed in advertising literature. If any portion of the NOA is displayed, then it shall be done in its entirety.

**INSPECTION:** A copy of this entire NOA shall be provided to the user by the manufacturer or its distributors and shall be available for inspection at the job site at the request of the Building Official.

This NOA consists of this page 1 and evidence pages E-1, as well as approval document mentioned above. The submitted documentation was reviewed by **Carlos M. Utrera, P.E.**



  
05/06/26

NOA No. 26-0304.01  
Expiration Date: December 30, 2026  
Approval Date: May 14, 2026  
Page 1

**NOTICE OF ACCEPTANCE: EVIDENCE SUBMITTED**

**A. DRAWINGS**

1. Drawing No. **60-022764-00D**, titled “5DDWRDCV / Wind-Driven Rain Resistant Louver”, sheets 1 through 17 of 17, dated 12/12/2025, with last revision dated 01/13/2026, prepared by Reliable Products a div. of Ruskin Company, signed and sealed by Jeffrey D. Smith, P.E.

**B. TESTS “Submitted under NOA # 25-1020.01”**

1. Test reports on 1) Uniform Static Air Pressure Test, Loading per FBC TAS 202-94  
2) Large Missile Impact Test per FBC, TAS 201-94  
3) Cyclic Wind Pressure Loading per FBC, TAS 203-94  
along with marked-up drawings and installation diagram of EME5625MDE aluminum louvers, prepared by Intertek, Test Report No. **S0927.01-801-18-r0**, dated 05/29/2025, signed and sealed by Tyler Westerling, P.E.
3. Test report on High Velocity Wind Driven Rain Resistance per AMCA 550-15 and AMCA 550-22 of an EME5625MD aluminum louver, prepared by Intertek, Test Report No. **R0468.02-801-44 r1**, dated 02/23/2024, with revision dated 11/11/2025 signed and sealed by Tyler Westerling, P.E.

**C. CALCULATIONS “Submitted under NOA # 25-1020.01”**

1. EME5625MDE louver wind load review, prepared by Ruskin Company, dated 09/22/2025, signed and sealed by Jeffrey D. Smith, P.E.

**D. QUALITY ASSURANCE**

1. Miami-Dade Department of Regulatory and Economic Resources (RER).

**E. MATERIAL CERTIFICATIONS**

1. None.

**F. STATEMENTS**

1. Statement letter of code conformance to the 8<sup>th</sup> edition (2023) of the FBC, issued by Reliable Products a div. of Ruskin Company, dated 02/17/2026, signed and sealed by Jeffrey D. Smith, P.E.
2. Statement letter of no financial interest, issued by Reliable Products a div. of Ruskin Company, dated 02/17/2026, signed and sealed by Jeffrey D. Smith, P.E.



---

**Carlos M. Utrera, P.E.**  
**Product Control Examiner**  
**NOA No. 26-0304.01**  
**Expiration Date: December 30, 2026**  
**Approval Date: May 14, 2026**

The following pages in this document were submitted by the manufacturer (third party) to represent the product being approved and establish the limits of use. The pages may include technical drawings, schematics and installation details.

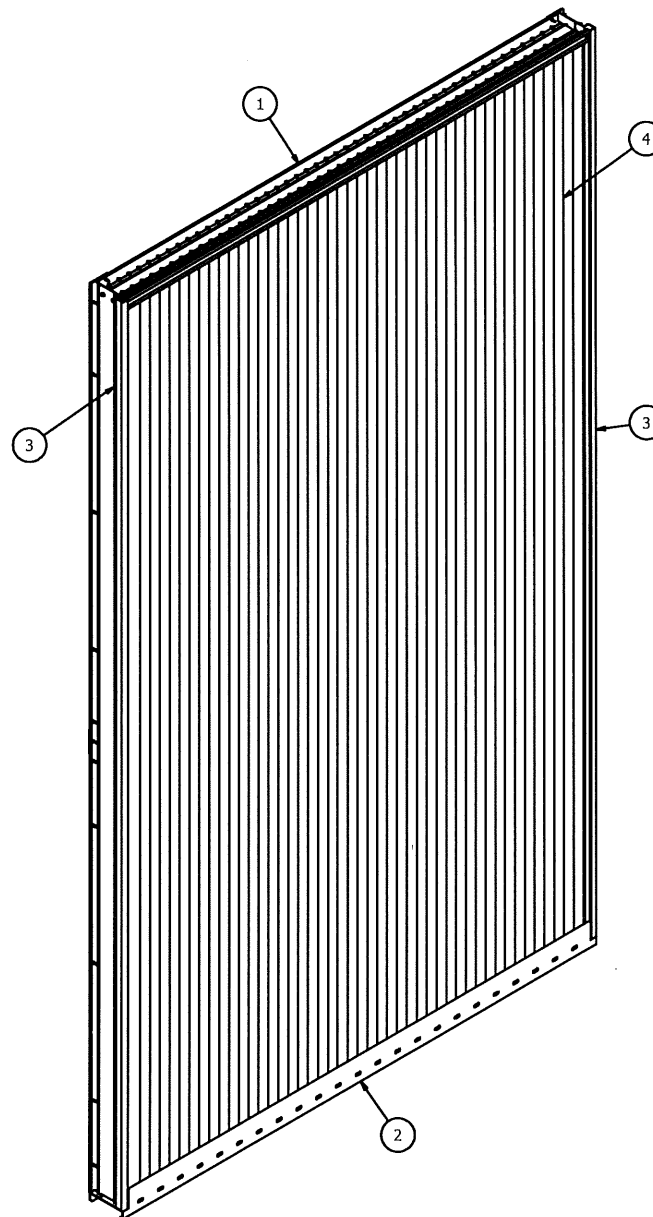
PARTS LIST			
FOR STANDARD LOUVER			
ITEM	DESCRIPTION	MATERIAL	ALLOY
1	HEAD FRAME	EXT ALUM	6063-T6
2	SILL FRAME	EXT ALUM	6063-T6
3	JAMB FRAME	EXT ALUM	6063-T6
4	BLADE	EXT ALUM	6063-T6
5	WATERSTOP	EXT ALUM	6063-T5
6	H.H.B.S.	SHEET ALUM	5005-H34
7	JAMB BLANK-OFF LH	SHEET ALUM	5005-H34
8	JAMB BLANK-OFF RH	SHEET ALUM	5005-H34
9	JAMB BLANK-OFF LH LOWER	SHEET ALUM	5005-H34
10	JAMB BLANK-OFF RH LOWER	SHEET ALUM	5005-H34
11	SCR 10-16X1.50 PHSD AB ZC SQ DRV PAN HD	ZC/PLTD	-
12	TEKSCR 10-16 X 3/4 LG HWH	410 SS/ZC	-
13	ACRYL-R SEALANT	OR EQUIVALENT	-
STANDARD INSTALLATION PARTS LIST			
ITEM	DESCRIPTION	MATERIAL	ALLOY
14	SPL PLT LVR ALUM 2X4X.125	ALUM	3003-H14
15	SCR 10X1.0 HWH TEK 410 ZC	410 SS/ZC	-
16	INSTALL ANGLE - HEAD/SILL	EXT ALUM	6063-T6
17	INSTALL ANGLE - JAMBS	EXT ALUM	6063-T6
18	FASTENERS (N.I.C.)	-	-
ALTERNATE INSTALLATION PARTS LIST			
ITEM	DESCRIPTION	MATERIAL	ALLOY
19	REVERSE ANGLE - HEAD/SILL	EXT ALUM	6063-T6
20	RETAINING ZEE - HEAD/SILL	SHEET ALUM	5005-H34
21	RETAINING ZEE - JAMB	SHEET ALUM	5005-H34
22	FORMED DOUBLE ANGLE - HEAD/SILL	SHEET ALUM	3003-H14
23	FORMED DOUBLE ANGLE - JAMB	SHEET ALUM	3003-H14
24	EXTRUDED DOUBLE ANGLE - HEAD/SILL	EXT ALUM	6063-T6
25	EXTRUDED DOUBLE ANGLE - JAMB	EXT ALUM	6063-T6
26	STIFFENER PLT - HEAD/SILL	ALUM	5005-H34
27	JAMB STIFFENER PLT	ALUM	5005-H34
28	TEK SCREW: #12-14 X 1 LG HWH	PLTD STL	-
29	SCREW 1/4"-14 X 1 1/2" LG HWH TEK3	410 SS/ZC	-
UNIVERSAL SLEEVE PARTS LIST			
ITEM	DESCRIPTION	MATERIAL	ALLOY
30	FRONT FLANGE UNIVERSAL SLEEVE	SHEET ALUM	5005-H34
31	FRONT FLANGE HEAD FRAME	EXT ALUM	6063-T6
32	FRONT FLANGE JAMB	EXT ALUM	6063-T6
33	FRONT FLANGE SILL	EXT ALUM	6063-T6
34	RETAINING ANGLE - HEAD/SILL	EXT ALUM	6063-T6
35	RETAINING ANGLE - JAMB	EXT ALUM	6063-T6
36	SCR 1/4"-14X1.0 HWH TEK	410 SS/ZC	-

**ABBREVIATIONS:**

- B.O. - BLANK OFF
- CF - CHANNEL FRAME
- CONT. - CONTINUOUS
- C-C - CENTER TO CENTER
- DIM - DIMENSION
- FLG - FLANGE
- FF - FLANGED FRAME
- HDG - HOT DIP GALVANIZED
- H.V.B.S. - HIDDEN VERTICAL BLADE SUPPORT
- H.H.B.S. - HIDDEN HORIZONTAL BLADE SUPPORT
- HWH - HEX WASHER HEAD
- L.D. - LOUVER DIMENSION
- MAX. - MAXIMUM
- MIN. - MINIMUM
- NOM. - NOMINAL
- N.T.E. - NOT TO EXCEED
- N.T.S. - NOT TO SCALE
- O/C - ON CENTER
- OPP. - OPPOSITE
- N.I.C. - NOT IN CONTRACT
- R.O. - ROUGH OPENING
- REF - REFERENCE
- SHT - SHEET
- S.S. - SHIP SECTION
- S.S.D. - SHIP SECTION DIMENSION
- S.D.S. - SELF DRILLING SCREW
- SIM - SIMILAR
- STL - STEEL
- TYP. - TYPICAL
- U.N.O. - UNLESS NOTED OTHERWISE

**NOTES:**

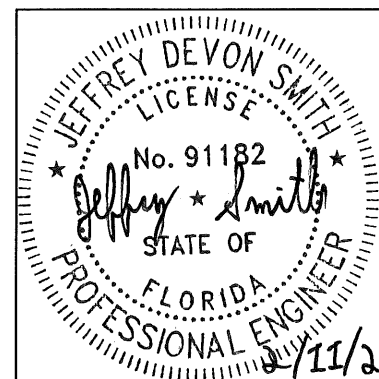
1. THE **5DDWRDCV** HAS BEEN TESTED IN ACCORDANCE WITH & QUALIFIED TO FLORIDA BUILDING CODE TESTING PROTOCOLS **TAS-201, 202, & 203** FOR LARGE MISSILE IMPACT, UNIFORM PRESSURE, CYCLIC WIND PRESSURE; **AMCA 550** FOR HIGH VELOCITY WIND DRIVEN RAIN.
2. QUALIFICATIONS TO **AMCA 550** ALLOWS THIS LOUVER TO BE INSTALLED IN A LOCATION WHERE THE ROOM BEHIND THE LOUVER IS NOT DESIGNED TO DRAIN WATER PENETRATING INTO THE ROOM & THE ROOM DOES NOT HOUSE WATER RESISTANT/PROOF EQUIPMENT, COMPONENTS, OR SUPPLIES.
3. THIS LOUVER SYSTEM IS APPROVED FOR APPLICATIONS WITH **DESIGN PRESSURES OF 130 PSF** OR LESS. THIS LOUVER SYSTEM IS NON-BEARING AND IS NOT DESIGNED TO WITHSTAND BUILDING DEAD LOADS.
4. THIS LOUVER ATTACHES AT THE HEAD & SILL TO THE SUBSTRATE ONLY FOR SINGLE SECTION HIGH ASSEMBLIES. MULTI-SECTION TALL ASSEMBLIES REQUIRE ATTACHMENT AT JAMBS. **SEE SHEET 05, 08, & 13** FOR INSTALLATION PARTS & DETAILS. REQUIREMENTS GIVEN IN "**SUBSTRATE FASTENER TABLE**" ARE AS NEEDED FOR ANCHORAGE ONLY AND (N.I.C).
5. MAXIMUM SINGLE SECTION SIZE FOR RECTANGLES ARE **72" WIDE X 120" HIGH**. UNLIMITED WIDTH CAN BE ACCOMPLISHED BY PLACING SINGLE SECTIONS SIDE-BY-SIDE. UNLIMITED TALL CAN BE ACCOMPLISHED BY PLACING SINGLE SECTIONS ON TOP OF EACH OTHER.
6. THE H.H.B.S. STRAP IS SCREWED TO THE FIRST BLADES, EVERY BLADE AFTER & AT BOTH JAMBS. THE H.H.B.S. CHANNEL IS REQUIRED FOR ANY LOUVER ASSEMBLY EXCEEDING **60" HIGH** & EQUALLY SPACED BETWEEN HEAD & SILL FRAMES.
7. ALL WELDED ATTACHMENTS REQUIRE A MINIMUM FILLER OF 5183 ALUMINUM ALLOY WITH A MINIMUM TENSILE STRENGTH OF 40KSI
8. **SQUARE BALLOONS** INDICATE **SHIP LOOSE PARTS**.



**5DDWRDCV RECTANGLE LOUVER**  
N.T.S.

**DRAWING SHEET INDEX:**

- SHEET 01** - STANDARD LOUVER SPECIFICATIONS
- SHEET 02** - SINGLE-SECTION (CF) ASSEMBLY & DETAILS
- SHEET 03** - MULTI-SECTION TALL (CF) ASSEMBLY & DETAILS
- SHEET 04** - MULTI-SECTION WIDE (CF) ASSEMBLY & DETAILS
- SHEET 05** - STANDARD INSTALLATION DETAILS
- SHEET 06** - MULTI-SECTION TALL (US) ASSEMBLY & DETAILS
- SHEET 07** - MULTI-SECTION WIDE (US) ASSEMBLY & DETAILS
- SHEET 08** - ALTERNATE INSTALLATION DETAILS
- SHEET 09** - SUBSTRATE FASTENER TABLE 1 AND TABLE 1A
- SHEET 10** - SUBSTRATE FASTENER TABLE 1B
- SHEET 11** - SUBSTRATE FASTENER TABLE 2
- SHEET 12** - SUBSTRATE FASTENER TABLE 2A
- SHEET 13** - UNIVERSAL SLEEVE INSTALLATION DETAILS
- SHEET 14** - LOUVER ASSEMBLY PART PROFILES
- SHEET 15** - INSTALLATION PART PROFILES
- SHEET 16** - INSTALLATION PART PROFILES
- SHEET 17** - INSTALLATION PART PROFILES



**JEFFREY DEVON SMITH, P.E.**  
NO. 91182

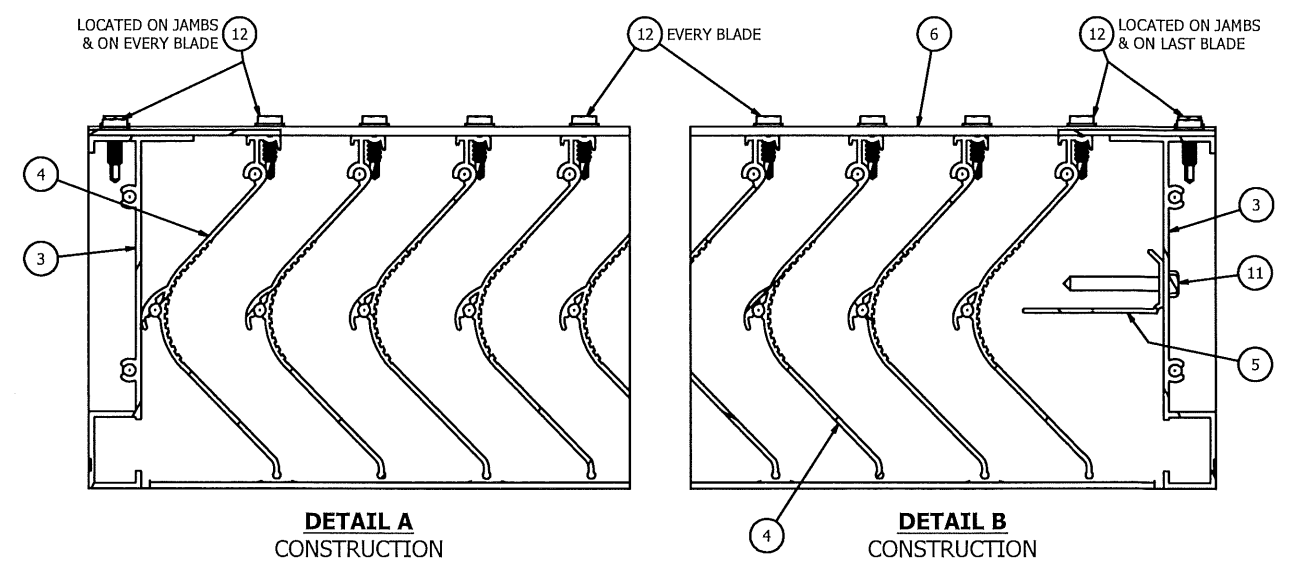
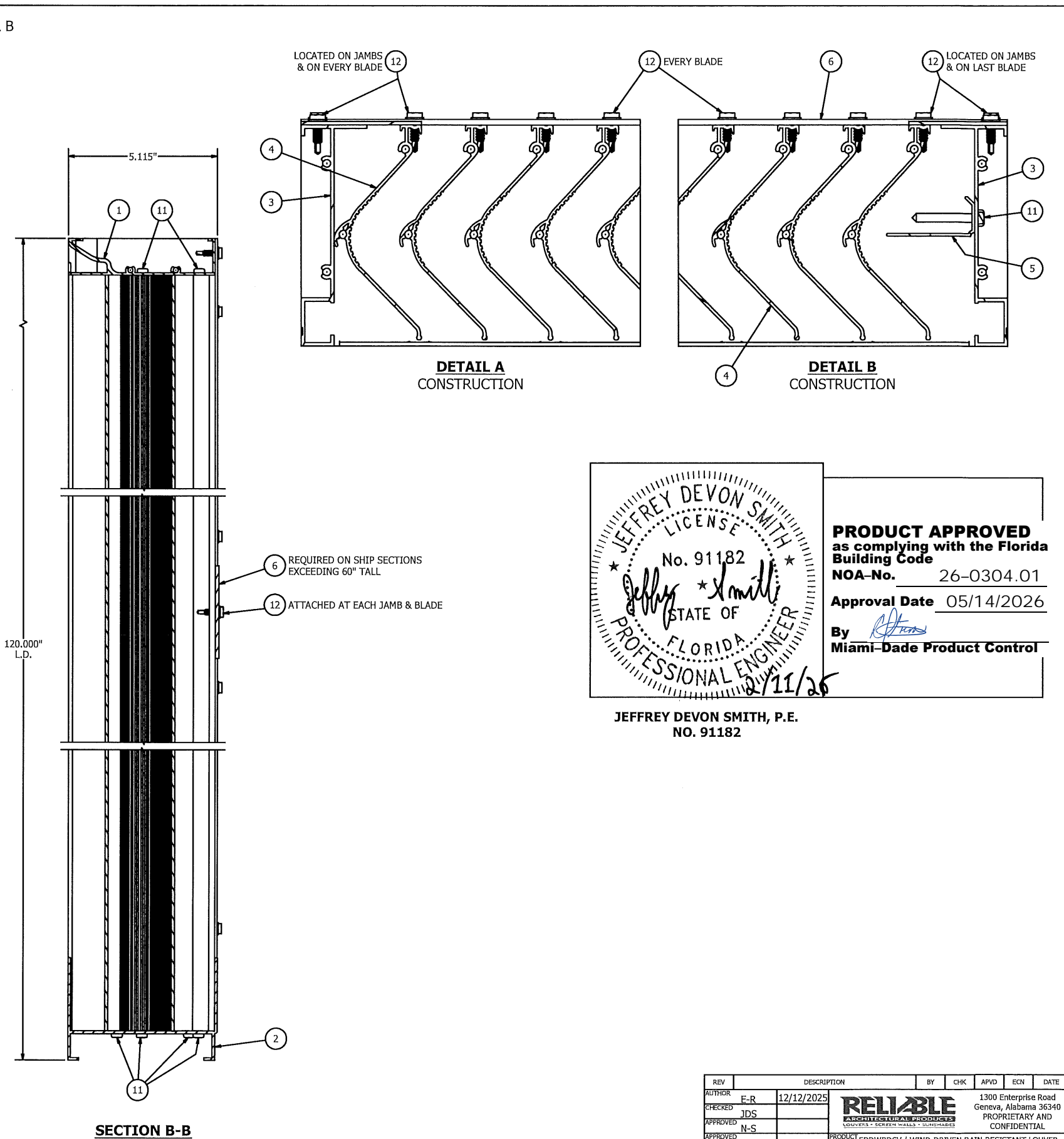
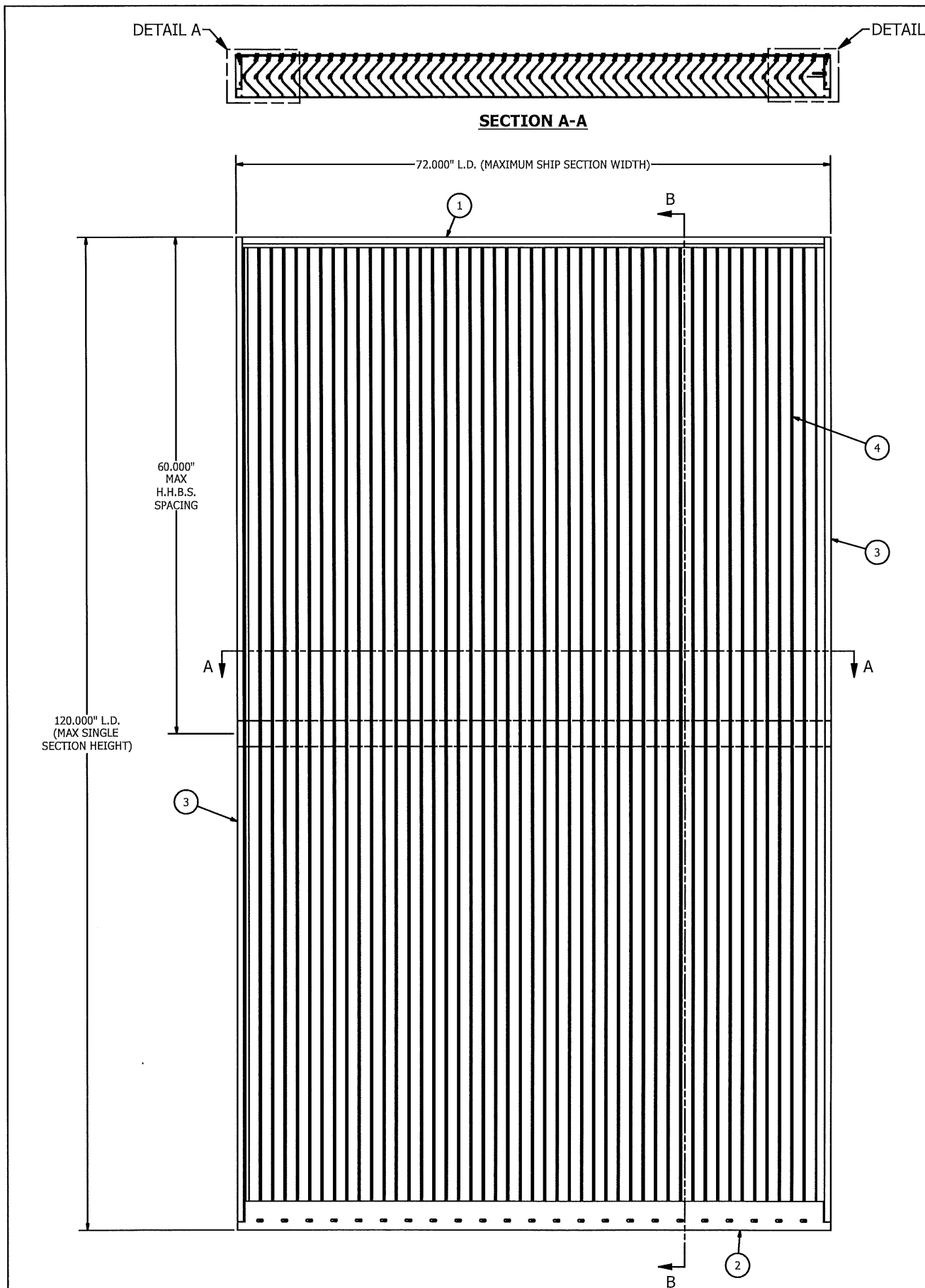
**PRODUCT APPROVED**  
as complying with the Florida Building Code  
NOA-No. 26-0304.01  
Approval Date 05/14/2026  
By *[Signature]*  
**Miami-Dade Product Control**

Tolerances  
Unless Stated Otherwise  
Use WIQ-007

- INITIAL RELEASE		E-R	JDS	N-S	14300	01/13/26
REV	DESCRIPTION	BY	CHK	APVD	ECN	DATE
AUTHOR	E-R	12/12/2025				
CHECKED	JDS					
APPROVED	N-S					
APPROVED						
MATERIAL	EXTRUDED ALUMINUM	TITLE	STANDARD LOUVER SPECIFICATIONS			
SIZE	D	DWG NO	60-022764-00D			
ECN	14300	SCALE	NONE			
	1/30/2026	SCALE	NONE			
		INVENTOR	SHEET 1 of 17			



1300 Enterprise Road  
Geneva, Alabama 36340  
PROPRIETARY AND  
CONFIDENTIAL



**JEFFREY DEVON SMITH**  
 LICENSE No. 91182  
 STATE OF FLORIDA  
 PROFESSIONAL ENGINEER  
 2/11/25

**PRODUCT APPROVED**  
 as complying with the Florida Building Code  
 NOA-No. 26-0304.01  
 Approval Date 05/14/2026  
 By *[Signature]*  
 Miami-Dade Product Control

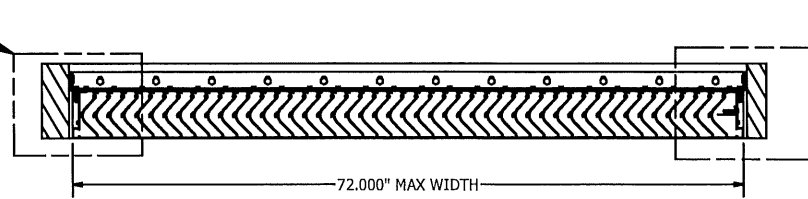
**JEFFREY DEVON SMITH, P.E.**  
 NO. 91182

**SINGLE SECTION - CHANNEL FRAME LOUVER**  
 SUBSTRATE & INSTALL PARTS NOT SHOWN FOR CLARITY

Tolerances  
 Unless Stated Otherwise  
 Use WIQ-007

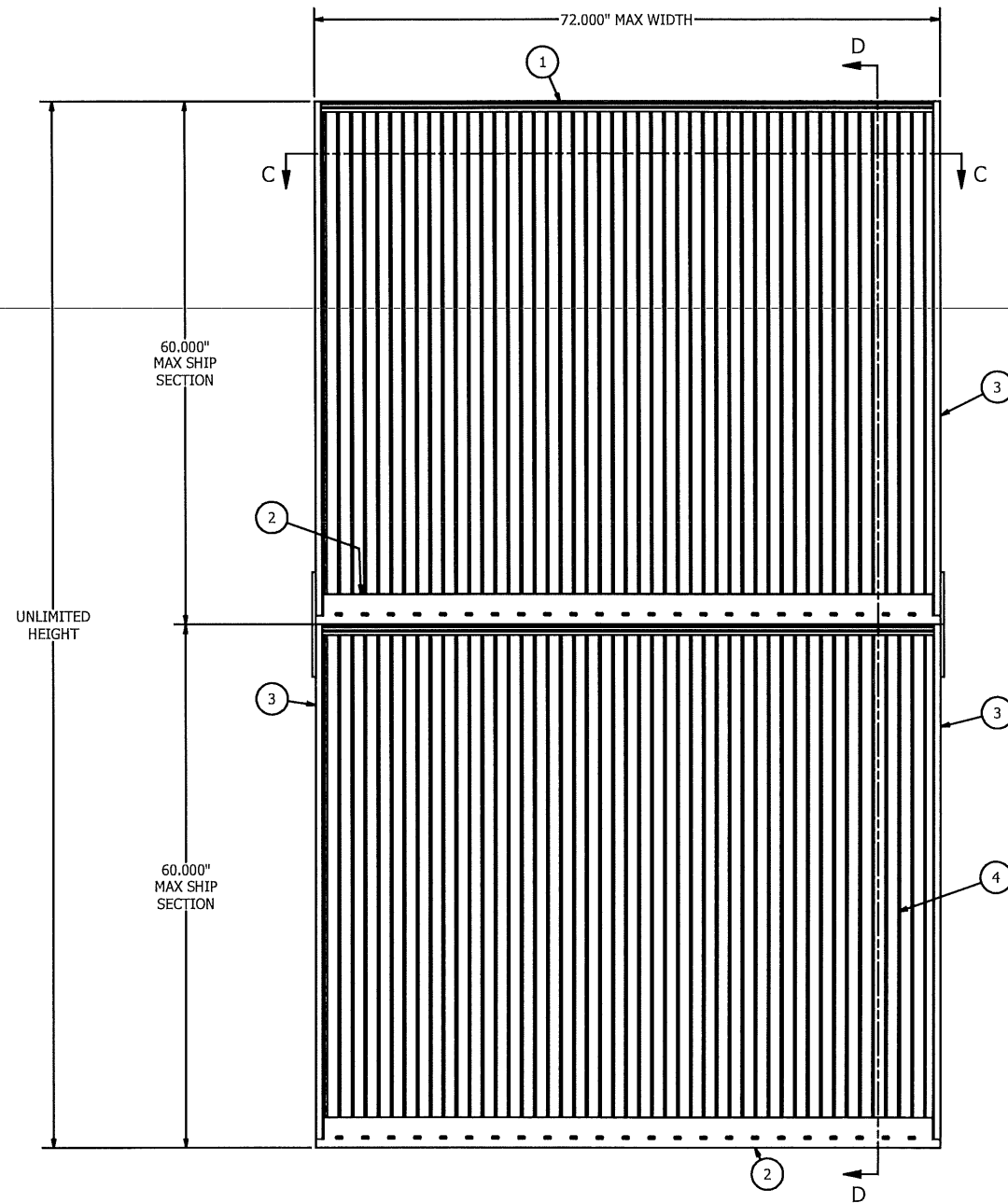
REV	DESCRIPTION	BY	CHK	APVD	ECN	DATE
AUTHOR	E-R	12/12/2025				
CHECKED	JDS					
APPROVED	N-S					
APPROVED						
MATERIAL	EXTRUDED ALUMINUM					
PRODUCT	SDDWRDCV / WIND-DRIVEN RAIN RESISTANT LOUVER					
TITLE	SINGLE-SECTION (CF) ASSEMBLY & DETAILS					
SIZE	D	DWG NO	60-022764-00D	REV	-	
ECN	14300	1/30/2026	SCALE	NONE	INVENTOR	SHEET 2 OF 17

REF DETAIL D/05  
FOR ATTACHMENT CLIP ANGLE INSTALLATION  
@ JAMBS (WOOD/METAL/CONCRETE/12" CMU)  
REF DETAIL L/08  
FOR DOUBLE ANGLE INSTALLATION (6" CMU ONLY)  
REF DETAIL M/08  
FOR ZEE INSTALLATION (6", 8" & 10" CMU)



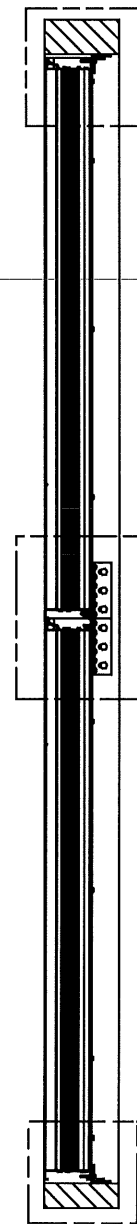
**SECTION C-C**

REF DETAIL D/05  
FOR ATTACHMENT CLIP ANGLE INSTALLATION  
@ JAMBS (WOOD/METAL/CONCRETE/12" CMU)  
REF DETAIL L/08  
FOR DOUBLE ANGLE INSTALLATION (6" CMU ONLY)  
REF DETAIL M/08  
FOR ZEE INSTALLATION (6", 8" & 10" CMU)



**MULTI-SECTION TALL ASSEMBLY - DRAINABLE FRAME LOUVER**  
SUBSTRATE & INSTALL PARTS NOT SHOWN FOR CLARITY

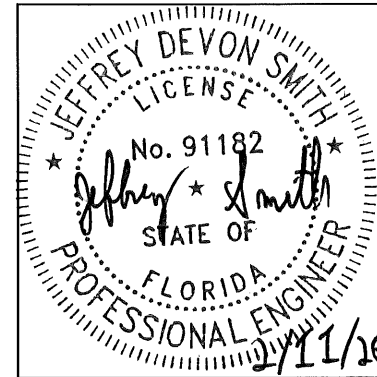
REF DETAIL C/05 FOR  
FOR ATTACHMENT CLIP ANGLE INSTALLATION  
@ HEAD/SILL (WOOD/METAL/CONCRETE/12" CMU)  
REF DETAIL E/05  
FOR REVERSE ANGLE INSTALLATION (8", 10" CMU)  
REF DETAIL J/08 FOR  
DOUBLE ANGLE INSTALLATION (6" CMU ONLY)  
REF DETAIL K/08  
FOR ZEE INSTALLATION (6" CMU ONLY)



**SECTION D-D**

REF DETAIL G/05  
HORIZONTAL MULLION CONNECTION

REF DETAIL C/05 FOR  
FOR ATTACHMENT CLIP ANGLE INSTALLATION  
@ HEAD/SILL (WOOD/METAL/CONCRETE/12" CMU)  
REF DETAIL E/05  
FOR REVERSE ANGLE INSTALLATION (8", 10" CMU)  
REF DETAIL J/08 FOR  
DOUBLE ANGLE INSTALLATION (6" CMU ONLY)  
REF DETAIL K/08  
FOR ZEE INSTALLATION (6" CMU ONLY)



**JEFFREY DEVON SMITH, P.E.**  
**NO. 91182**

**PRODUCT APPROVED**  
as complying with the Florida  
Building Code

NOA-No. 26-0304.01

Approval Date 05/14/2026

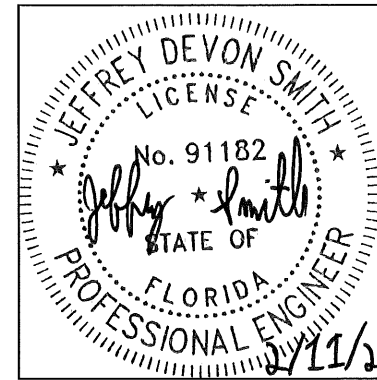
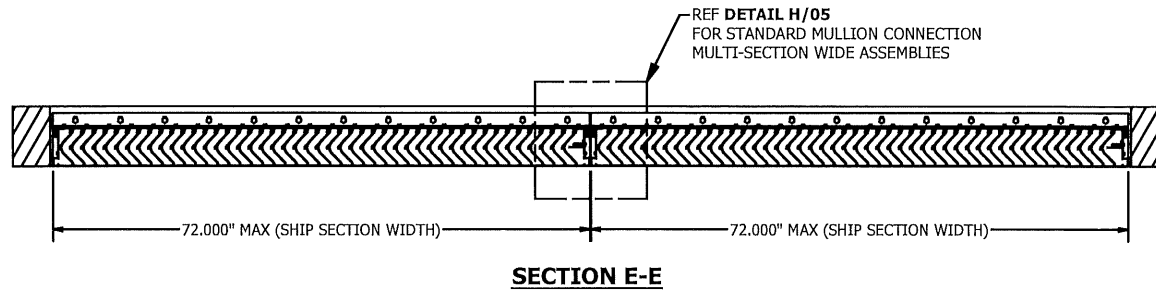
By *[Signature]*  
Miami-Dade Product Control

Tolerances  
Unless Stated Otherwise  
Use WIC-007

REV	DESCRIPTION	BY	CHK	APVD	ECN	DATE
AUTHOR	E-R	12/12/2025				
CHECKED	JDS					
APPROVED	N-S					
APPROVED						
MATERIAL	EXTRUDED ALUMINUM					
ECN	14300	1/30/2026				

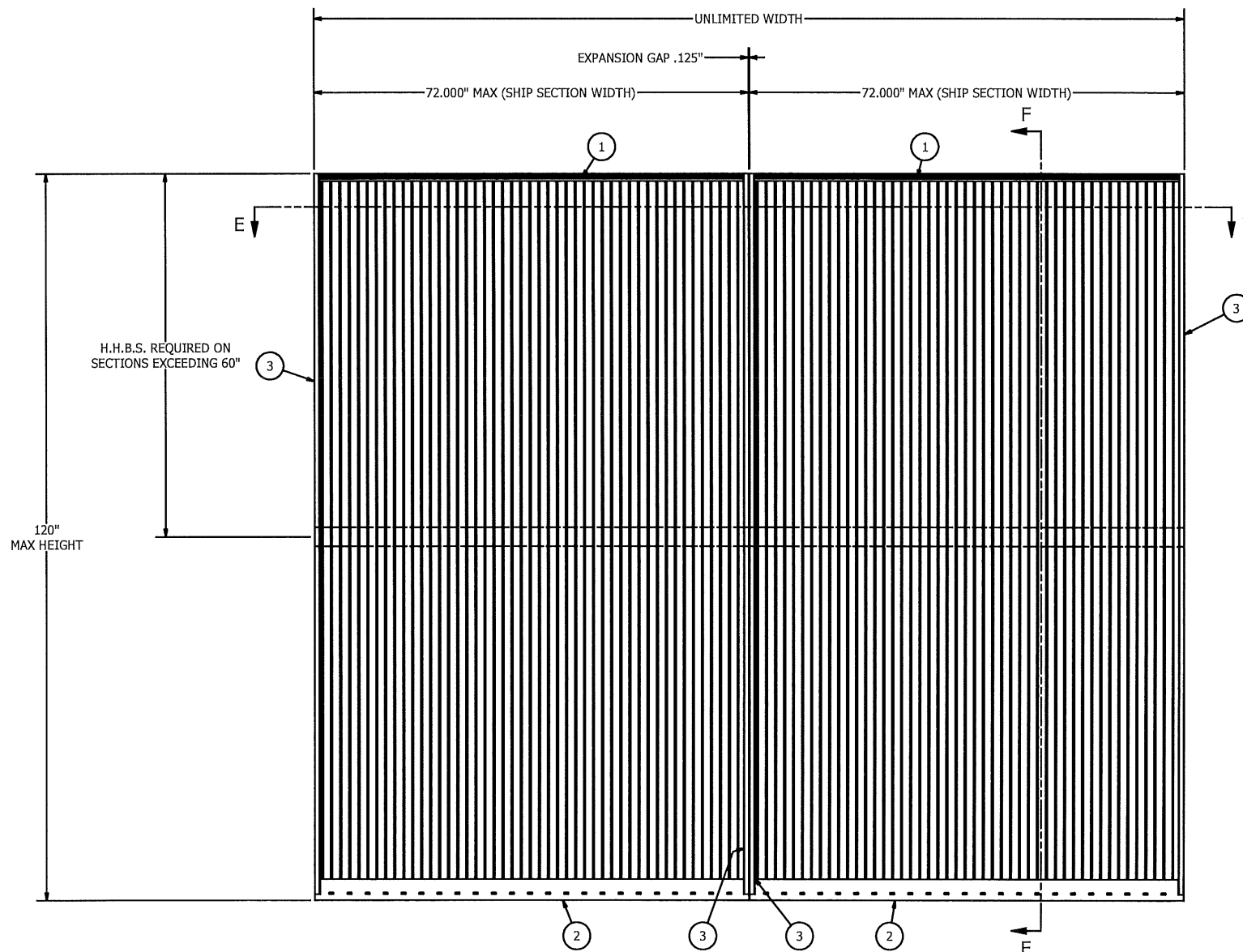
  

<b>RELIABLE</b> ARCHITECTURAL PRODUCTS CORPORATION		1300 Enterprise Road Geneva, Alabama 36340 PROPRIETARY AND CONFIDENTIAL
PRODUCT	SDDWRDCV / WIND-DRIVEN RAIN RESISTANT LOUVER	
TITLE	MULTI-SECTION TALL (CF) ASSEMBLY & DETAILS	
SIZE	D	DWG NO. 60-022764-00D
SCALE	NONE	INVENTOR SHEET 3 of 17

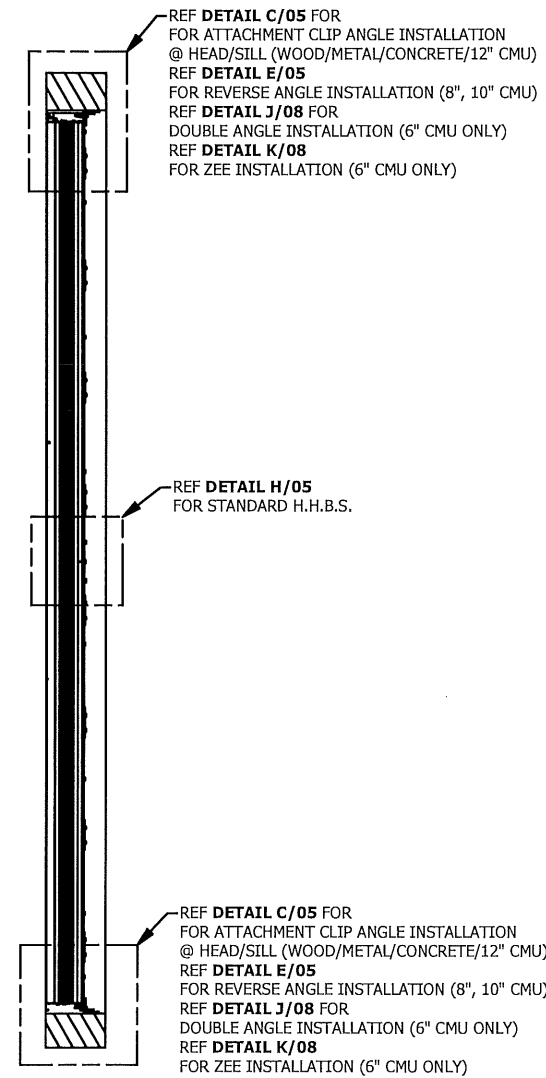


**PRODUCT APPROVED**  
as complying with the Florida  
Building Code  
NOA-No. 26-0304.01  
Approval Date 05/14/2026  
By *[Signature]*  
Miami-Dade Product Control

JEFFREY DEVON SMITH, P.E.  
NO. 91182



**MULTI-SECTION WIDE ASSEMBLY - DRAINABLE FRAME LOUVER**  
SUBSTRATE & INSTALL PARTS NOT SHOWN FOR CLARITY

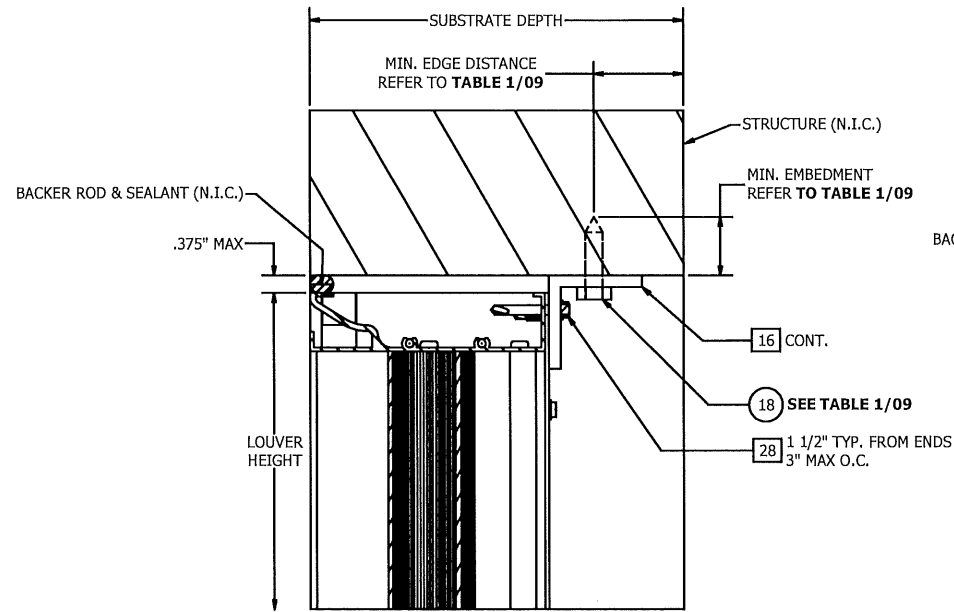


Tolerances  
Unless Stated Otherwise  
Use WIQ-007

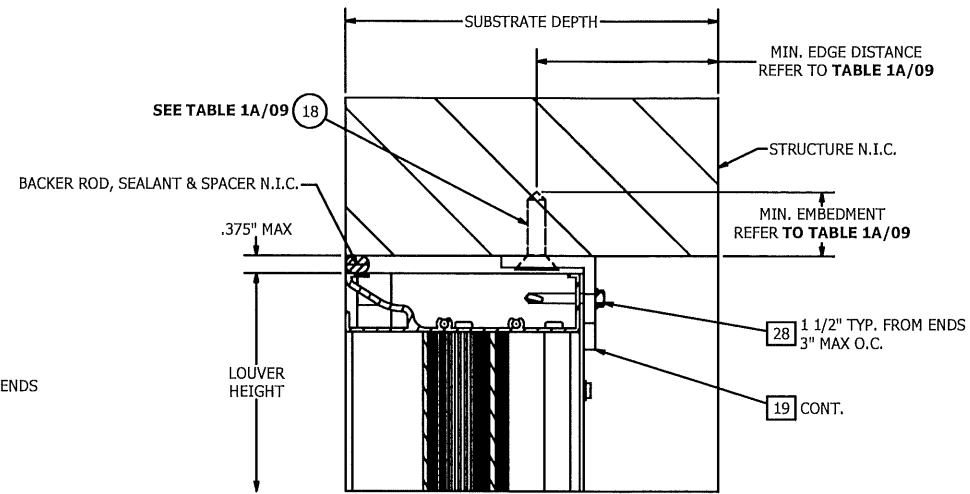
REV	DESCRIPTION	BY	CHK	APVD	ECN	DATE
AUTHOR	E-R	12/12/2025				
CHECKED	JDS					
APPROVED	N-S					
APPROVED						
MATERIAL	EXTRUDED ALUMINUM					
ECN	14300	1/30/2026				

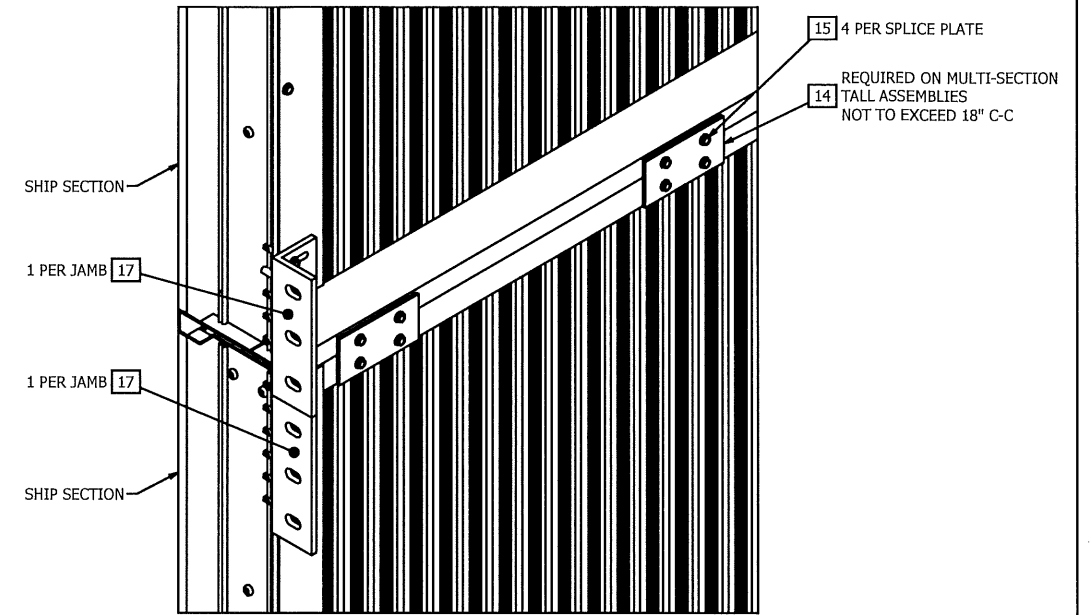
<b>RELIABLE</b> ARCHITECTURAL PRODUCTS <small>SCREENS - SLATS - PARTITIONS</small>		1300 Enterprise Road Geneva, Alabama 36340 PROPRIETARY AND CONFIDENTIAL
PRODUCT	SDDWRDCV / WIND-DRIVEN RAIN RESISTANT LOUVER	
TITLE	MULTI-SECTION WIDE (CF) ASSEMBLY & DETAILS	
SIZE	D	DWG NO 60-022764-00D
SCALE	NONE	REV -
INVENTOR	SHEET 4 of 17	



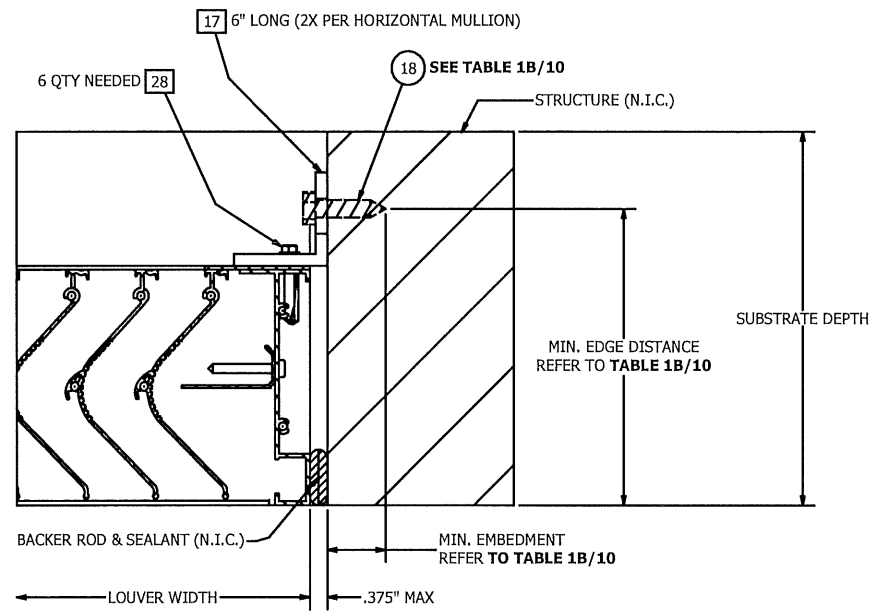
**DETAIL C - STANDARD HEAD/SILL INSTALL**  
(HEAD CONNECTION SHOWN)



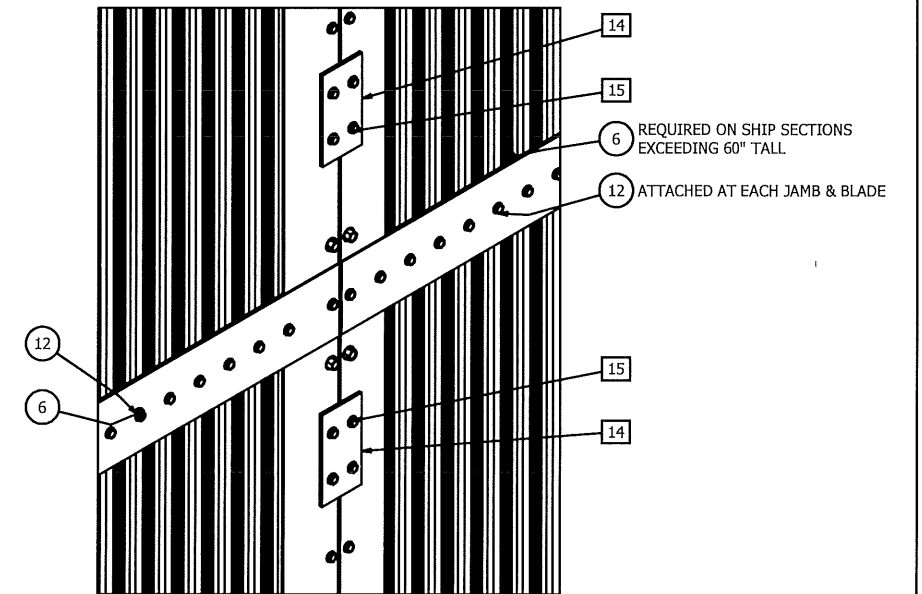
**DETAIL E - REVERSE ANGLE HEAD/SILL INSTALL**  
(HEAD CONNECTION SHOWN)



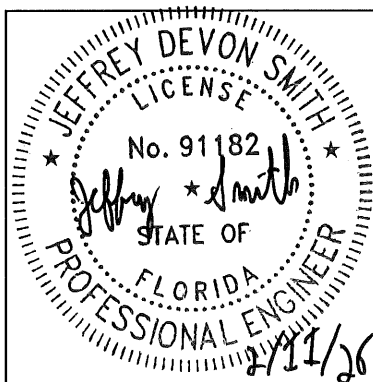
**DETAIL G - STANDARD MULLION CONNECTION**  
**MULTI-SECTION TALL**



**DETAIL D - STANDARD JAMB INSTALL**  
(MULTI-SECTION TALL ASSEMBLY ONLY)



**DETAIL H - STANDARD MULLION CONNECTION**  
**MULTI-SECTION WIDE**



**PRODUCT APPROVED**  
as complying with the Florida  
Building Code  
NOA-No. 26-0304.01  
Approval Date 05/14/2026  
By *[Signature]*  
Miami-Dade Product Control

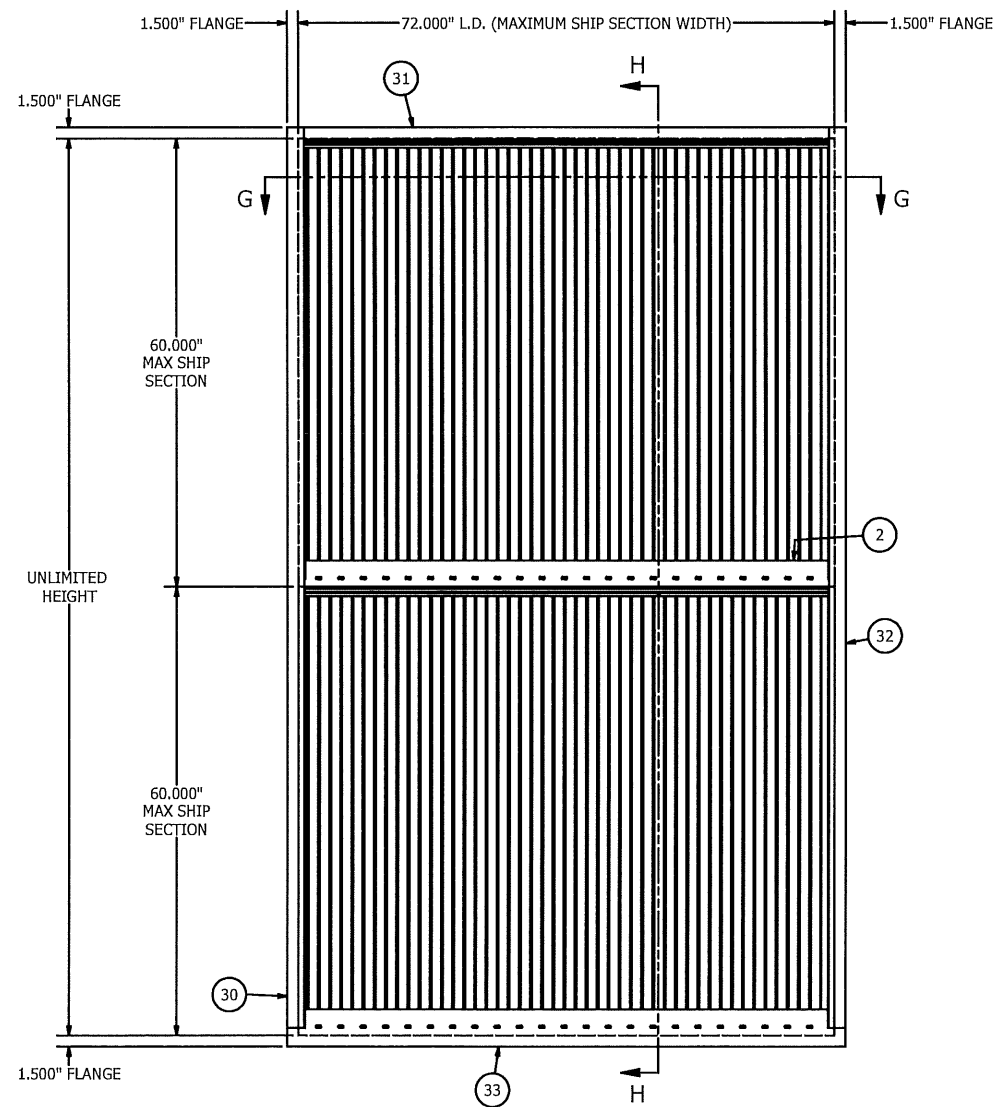
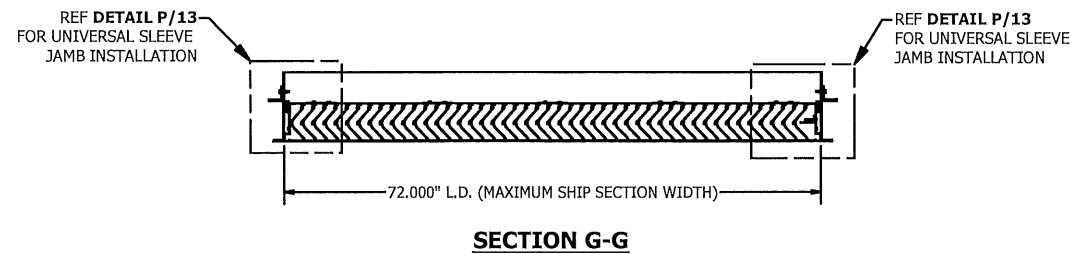
JEFFREY DEVON SMITH, P.E.  
NO. 91182

Tolerances  
Unless Stated Otherwise  
Use WQ-007

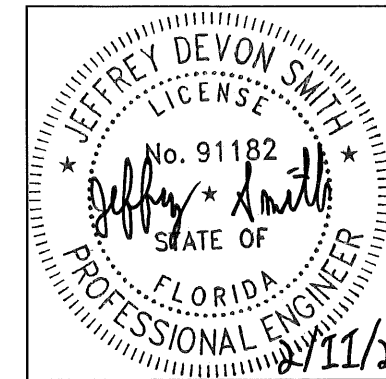
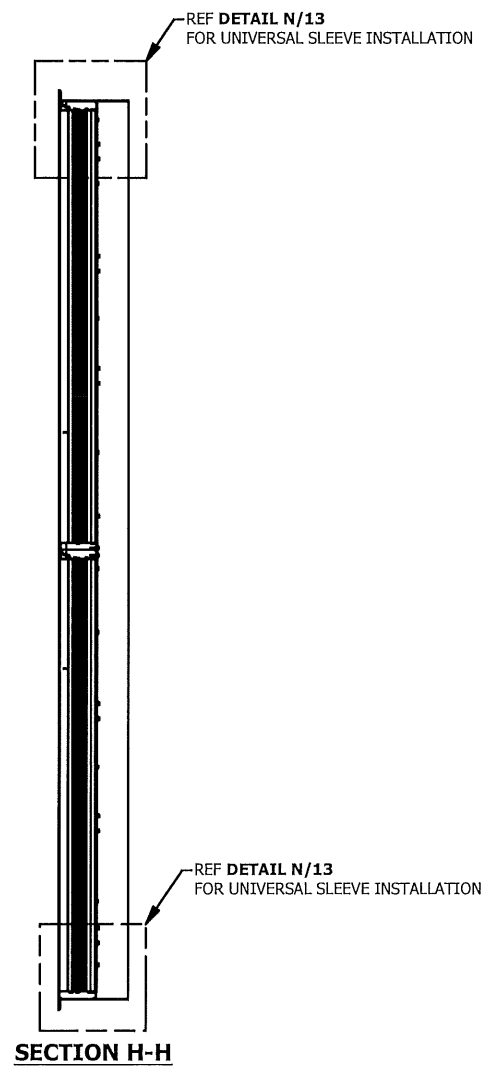
REV	DESCRIPTION	BY	CHK	APVD	ECN	DATE
AUTHOR	E-R	12/12/2025				
CHECKED	JDS					
APPROVED	N-S					
APPROVED						
MATERIAL	EXTRUDED ALUMINUM					
ECN	14300	1/30/2026				

**RELIABLE**  
 1300 Enterprise Road  
 Geneva, Alabama 36340  
 PROPRIETARY AND  
 CONFIDENTIAL

PRODUCT: SDDWRDCV / WIND-DRIVEN RAIN RESISTANT LOUVER  
 TITLE: STANDARD INSTALLATION DETAILS  
 SIZE: D  
 DWG NO: 60-022764-00D  
 SCALE: NONE  
 INVENTOR: SHEET 5 of 17



**MULTI-SECTION ASSEMBLY - UNIVERSAL SLEEVE**  
 SUBSTRATE & INSTALL PARTS NOT SHOWN FOR CLARITY



**PRODUCT APPROVED**  
 as complying with the Florida  
 Building Code  
 NOA-No. 26-0304.01  
 Approval Date 05/14/2026  
 By *[Signature]*  
 Miami-Dade Product Control

JEFFREY DEVON SMITH, P.E.  
 NO. 91182

Tolerances  
 Unless Stated Otherwise  
 Use WIQ-007

REV	DESCRIPTION	BY	CHK	APVD	EGN	DATE
AUTHOR	E-R	12/12/2025				
CHECKED	JDS					
APPROVED	N-S					
APPROVED						
MATERIAL	EXTRUDED ALUMINUM					
SIZE	D					
ECN	14300	1/30/2026	SCALE	NONE	INVENTOR	SHEET 6 OF 17

**RELIABLE**  
 ARCHITECTURAL PRODUCTS  
 1300 Enterprise Road  
 Geneva, Alabama 36340  
 PROPRIETARY AND  
 CONFIDENTIAL

PRODUCT SDDWRDCV / WIND-DRIVEN RAIN RESISTANT LOUVER

TITLE MULTI-SECTION TALL (US) ASSEMBLY & DETAILS

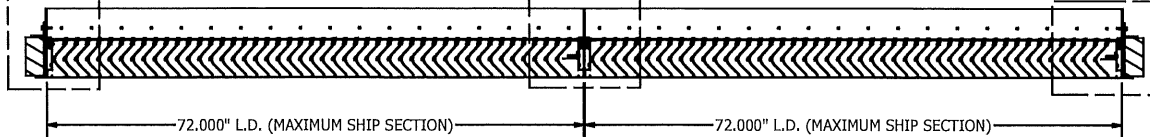
DWG NO 60-022764-00D

REV -

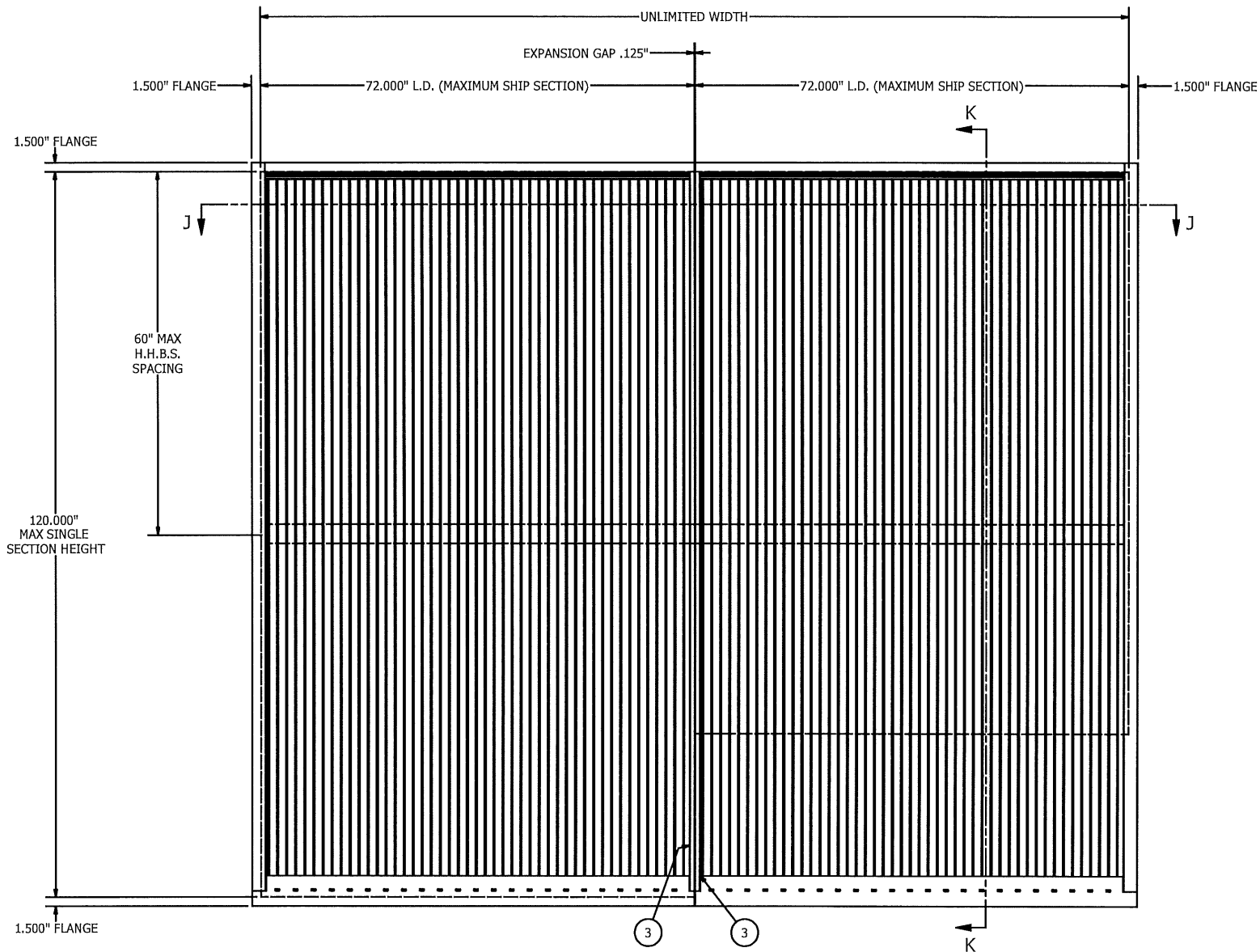
REF DETAIL P/13  
FOR UNIVERSAL SLEEVE  
JAMB INSTALLATION

REF DETAIL H/05  
FOR VERTICAL MULLION CONNECTION

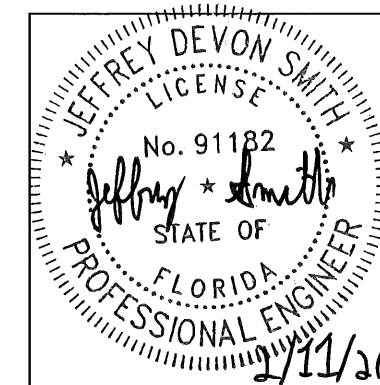
REF DETAIL P/13  
FOR UNIVERSAL SLEEVE  
JAMB INSTALLATION



**SECTION J-J**



**MULTI-SECTION ASSEMBLY - UNIVERSAL SLEEVE**  
SUBSTRATE & INSTALL PARTS NOT SHOWN FOR CLARITY



**PRODUCT APPROVED**  
as complying with the Florida  
Building Code  
NOA-No. 26-0304.01  
Approval Date 05/14/2026  
By *[Signature]*  
Miami-Dade Product Control

JEFFREY DEVON SMITH, P.E.  
NO. 91182

REF DETAIL N/13  
FOR UNIVERSAL SLEEVE INSTALLATION



REF DETAIL H/05  
FOR STANDARD H.H.B.S. &  
VERTICAL MULLION CONNECTION

REF DETAIL N/13  
FOR UNIVERSAL SLEEVE INSTALLATION

**SECTION K-K**

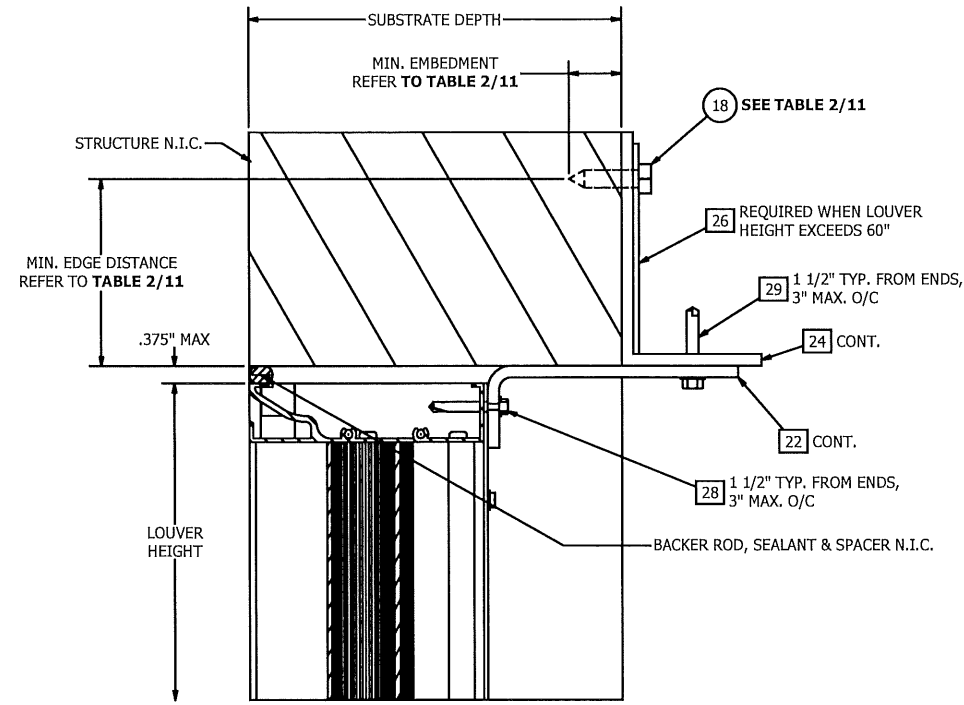
Tolerances  
Unless Stated Otherwise  
Use WIC-007

REV	DESCRIPTION	BY	CHK	APVD	ECN	DATE
AUTHOR	E-R	12/12/2025				
CHECKED	JDS					
APPROVED	N-S					
APPROVED						
MATERIAL	EXTRUDED ALUMINUM					
SIZE	D					
ECN	14300	1/30/2026				
SCALE	NONE					
DWG NO	60-022764-00D					
REV	-					
INVENTOR						
SHEET	7	OF	17			

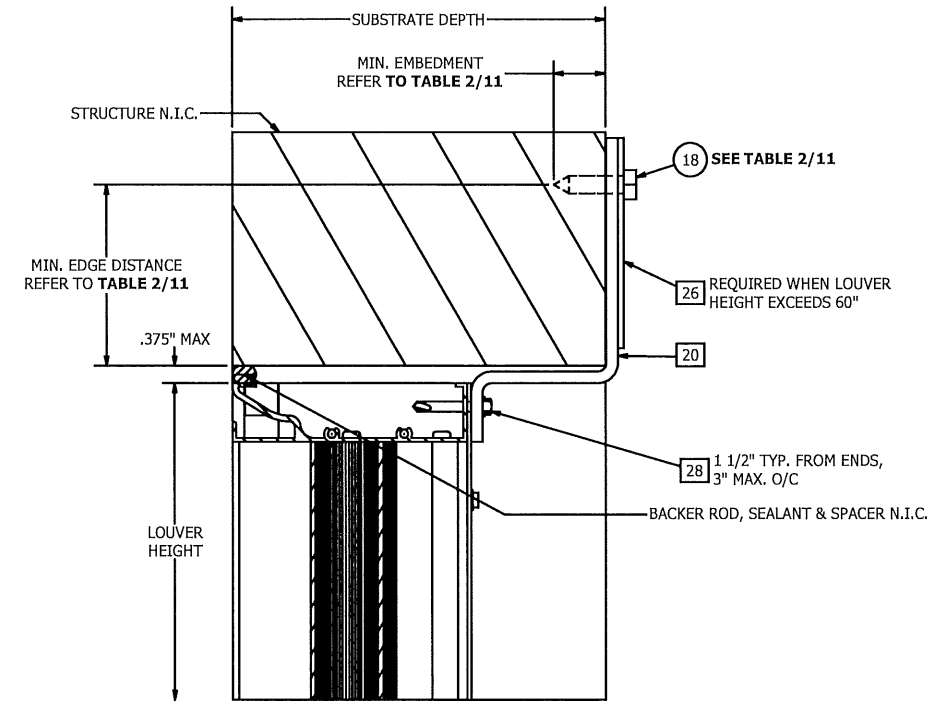
**RELIABLE**  
ARCHITECTURAL PRODUCTS  
1300 Enterprise Road  
Geneva, Alabama 36340  
PROPRIETARY AND  
CONFIDENTIAL

PRODUCT SDDWRDCV / WIND-DRIVEN RAIN RESISTANT LOUVER

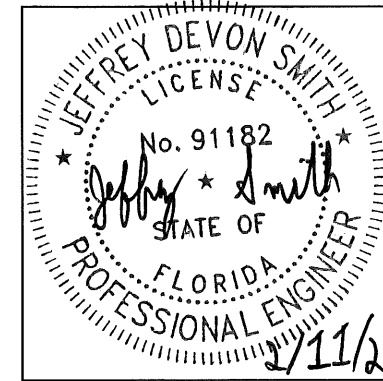
TITLE MULTI-SECTION WIDE (US) ASSEMBLY & DETAILS



**DETAIL J - DOUBLE ANGLE INSTALL - HEAD/SILL**  
(HEAD CONNECTION SHOWN)

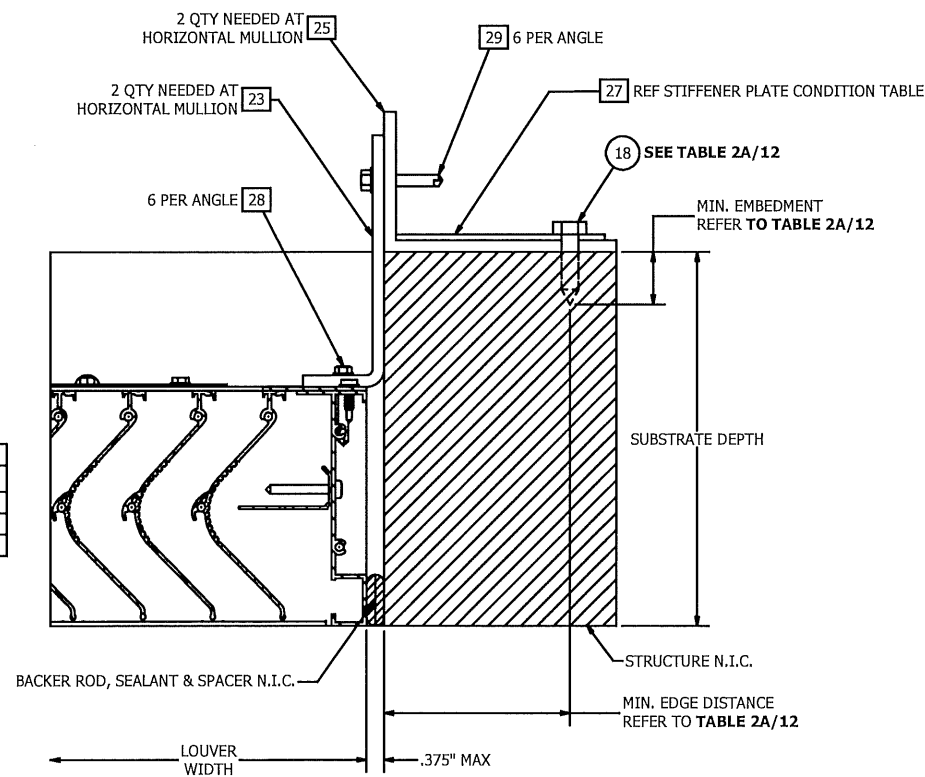


**DETAIL K - RETAINING ZEE INSTALL - HEAD/SILL**  
(HEAD CONNECTION SHOWN)



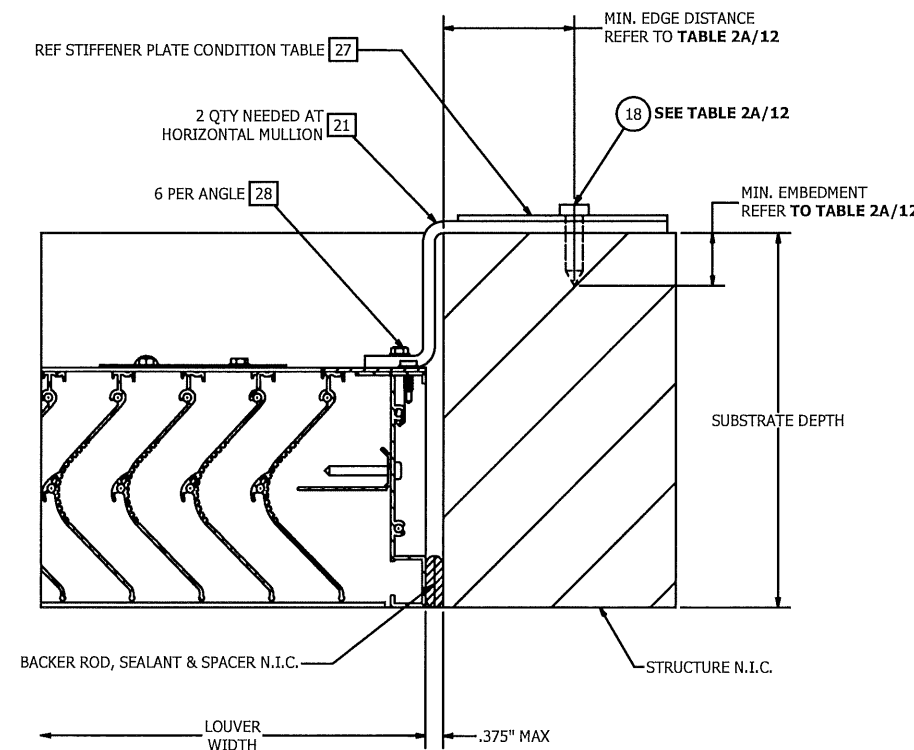
**PRODUCT APPROVED**  
as complying with the Florida  
Building Code  
NOA-No. 26-0304.01  
Approval Date 05/14/2026  
By *[Signature]*  
Miami-Dade Product Control

JEFFREY DEVON SMITH, P.E.  
NO. 91182



**DETAIL L - DOUBLE ANGLE INSTALL - JAMB**  
(RIGHT HAND JAMB SHOWN)

LOUVER WIDTH	STIFFENER PLATE
≤ 18"	NO PLATE
18" < WIDTH ≤ 36"	1/8" THK. PLATE
> 36"	1/4" THK. PLATE



**DETAIL M - RETAINING ZEE INSTALL - JAMB**  
(RIGHT HAND JAMB CONNECTION SHOWN)

LOUVER WIDTH	STIFFENER PLATE
≤ 18"	NO PLATE
18" < WIDTH ≤ 36"	1/8" THK. PLATE
> 36"	1/4" THK. PLATE

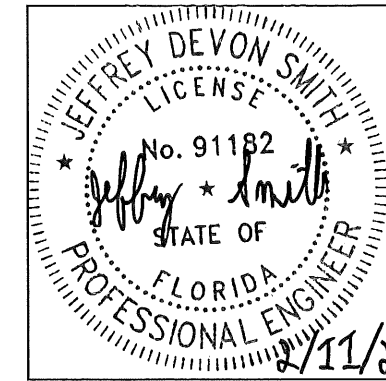
REV	DESCRIPTION	BY	CHK	APVD	ECN	DATE
AUTHOR	E-R	12/12/2025				
CHECKED	JDS					
APPROVED	N-S					
MATERIAL		PRODUCT				
EXTRUDED ALUMINUM		SDDWRDCV / WIND-DRIVEN RAIN RESISTANT LOUVER				
TITLE		ALTERNATE INSTALLATION DETAILS				
SIZE	D	DWG NO	60-022764-00D			
ECN	14300	SCALE	NONE	INVENTOR	SHEET 8 OF 17	

Tolerances  
Unless Stated Otherwise  
Use WIQ-007

**STANDARD ANGLE INSTALL**

**TABLE 1 - 5DDWRDCV - WALL FASTENER TABLE (BY OTHERS)**

SUBSTRATE TYPE	MIN. SUBSTRATE REQUIREMENTS	FASTENER TYPE	MAX. C-C SPACING AT HEAD & SILL	MIN. EMBEDMENT	MIN. EDGE DISTANCE
WOOD	3" THICK, 0.42 SPECIFIC GRAVITY	3/8" DIA. BOLT W/ NUT, MIN. A307 GRADE A	6"	3 THREADS BEYOND NUT	1 1/2"
		3/8" DIA. LAG SCREW, MIN. A307 GRADE A	6"	2 5/8"	1 1/2"
STEEL	16 GA, 45 KSI TENSILE STRENGTH, 33 KSI YIELD STRENGTH	3/8" DIA. BOLT W/ NUT, MIN. A307 GRADE A	6"	3 THREADS BEYOND NUT	3/4"
	10 GA, 45 KSI TENSILE STRENGTH, 33 KSI YIELD STRENGTH	5/16" DIA. SELF DRILLING SCREW, MIN. SAE GRADE 2	6"	3 THREADS BEYOND SUB. THICKNESS	5/8"
ALUMINUM	0.125" THICK, 20 KSI TENSILE STRENGTH, 15 KSI YIELD STRENGTH	3/8" DIA. BOLT W/ NUT, MIN. A307 GRADE A	6"	3 THREADS BEYOND NUT	3/4"
		5/16" DIA. SELF DRILLING SCREW, MIN. SAE GRADE 2	3"	3 THREADS BEYOND SUB. THICKNESS	5/8"
CONCRETE	UNCRACKED, 2220 PSI COMP. STRENGTH	1/4" DIA. ELCO AGGRE-GATOR, 300 SERIES SS	3"	1 3/4"	1 1/2"
	UNCRACKED, 2500 PSI COMP. STRENGTH	3/8" DIA. BUILDDEX TAPCON+, CARBON STEEL	3"	2 1/2"	2 1/4"
		3/8" DIA. POWERS POWER-STUD+ SD1, CARBON STEEL	6"	2 7/8"	2 1/2"
	CRACKED, 2500 PSI COMP. STRENGTH	3/8" DIA. BUILDDEX TAPCON+, CARBON STEEL	3"	2 1/2"	4"
3/8" DIA. POWERS POWER-STUD+ SD1, CARBON STEEL		6"	2 7/8"	4"	
GROUT FILLED CMU	ASTM C-90 BLOCK, 1500 PSI GROUT COMP. STRENGTH	1/4" DIA. ELCO AGGRE-GATOR, 300 SERIES SS	3"	2"	2"



**PRODUCT APPROVED**  
as complying with the Florida  
Building Code  
NOA-No. 26-0304.01  
Approval Date 05/14/2026  
By *[Signature]*  
Miami-Dade Product Control

**JEFFREY DEVON SMITH, P.E.**  
**NO. 91182**

**REVERSE ANGLE INSTALL**

**TABLE 1A - 5DDWRDCV - WALL FASTENER TABLE (BY OTHERS)**

SUBSTRATE TYPE	MIN. SUBSTRATE REQUIREMENTS	FASTENER TYPE	MAX. C-C SPACING AT HEAD & SILL	MIN. EMBEDMENT	MIN. EDGE DISTANCE
WOOD	3" THICK, SPECIFIC GRAVITY = 0.42	1/4" DIA. LAG SCREW, MIN. A307 GRADE A	3"	2 5/8"	1 1/2"
STEEL	MIN. 10 GA 45 KSI TENSILE STRENGTH 33 KSI YIELD STRENGTH	1/4" DIA. SELF DRILLING SCREW, MIN. SAE GRADE 2	3"	3 THREADS BEYOND SUB. THICKNESS	1/2"
ALUMINUM	.188" THICK 20 KSI TENSILE STRENGTH, 15 KSI YIELD STRENGTH	1/4" DIA. SELF DRILLING SCREW, MIN. SAE GRADE 2	3"	3 THREADS BEYOND SUB. THICKNESS	1/2"
CONCRETE	UNCRACKED, 2220 PSI COMP. STRENGTH	1/4" DIA. ELCO AGGRE-GATOR, 300 SERIES SS	3"	1 3/4"	1 1/2"
GROUT FILLED CMU	ASTM C-90 BLOCK, 1500 PSI GROUT COMP. STRENGTH	1/4" DIA. ELCO AGGRE-GATOR, 300 SERIES SS	3"	2"	2"

**NOTE:**  
DESIGN OF SUBSTRATE IS NOT BY RELIABLE (N.I.C.). ACTUAL SUBSTRATE DEPTH SHALL BE PER PROJECT DRAWINGS.

Tolerances  
Unless Stated Otherwise  
Use WIQ-007

REV	DESCRIPTION	BY	CHK	APVD	ECN	DATE
AUTHOR	E-R	12/12/2025				
CHECKED	JDS					
APPROVED	N-S					
MATERIAL		EXTRUDED ALUMINUM				
TITLE		SUBSTRATE FASTENER TABLE 1 AND TABLE 1A				
SIZE	D	DWG NO		60-022764-00D		
ECN	14300	1/30/2026	SCALE	NONE	INVENTOR	SHEET 9 OF 17



1300 Enterprise Road  
Geneva, Alabama 36340  
PROPRIETARY AND  
CONFIDENTIAL

**TABLE 1B - 5DDWRDCV - JAMB STANDARD ANGLE WALL FASTENER TABLE, 3 FASTENERS PER ANGLE (BY OTHERS)**

SUBSTRATE TYPE	MIN SUBSTRATE REQUIREMENTS	FASTENER TYPE	MIN EMBEDMENT	MIN EDGE DISTANCE
WOOD	3" THICK, 0.42 SPECIFIC GRAVITY	3/8" DIA BOLT W/ NUT, MIN A 307 GRADE A	2 5/8"	1-1/2"
STEEL	16 GA, 45 KSI TENSILE STRENGTH, 33 KSI YIELD STRENGTH	3/8" DIA BOLT W/ NUT, MIN A 307 GRADE A	3 THREADS BEYOND NUT	3/4"
	10 GA, 45 KSI TENSILE STRENGTH, 33 KSI YIELD STRENGTH	5/16" DIA. SELF-DRILLING SCREW, MIN SAE GRADE 2	3 THREADS BEYOND SUB. THICKNESS	5/8"
ALUMINUM	0.125" THICK, 20 KSI TENSILE STRENGTH, 15 KSI YIELD STRENGTH	3/8" DIA BOLT W/ NUT, MIN A 307 GRADE A	3 THREADS BEYOND NUT	3/4"
	0.188" THICK, 20 KSI TENSILE STRENGTH, 15 KSI YIELD STRENGTH	5/16" DIA. SELF-DRILLING SCREW, MIN SAE GRADE 2	3 THREADS BEYOND SUB. THICKNESS	5/8"

**NOTE:**  
DESIGN OF SUBSTRATE IS NOT BY RELIABLE (N.I.C.). ACTUAL SUBSTRATE DEPTH SHALL BE PER PROJECT DRAWINGS.

JEFFREY DEVON SMITH  
LICENSE  
No. 91182  
STATE OF  
FLORIDA  
PROFESSIONAL ENGINEER  
2/11/26

**PRODUCT APPROVED**  
as complying with the Florida  
Building Code  
NOA-No. 26-0304.01  
Approval Date 05/14/2026  
By *[Signature]*  
Miami-Dade Product Control

JEFFREY DEVON SMITH, P.E.  
NO. 91182

REV	DESCRIPTION	BY	CHK	APVD	ECN	DATE
AUTHOR	E-R	12/12/2025				
CHECKED	JDS					
APPROVED	N-S					
APPROVED						
MATERIAL	EXTRUDED ALUMINUM	TITLE		SUBSTRATE FASTENER TABLE 1B		
SIZE	D	DWG NO	60-022764-00D		REV	-
ECN	14300	1/30/2026	SCALE	NONE	INVENTOR	SHEET 10 OF 17

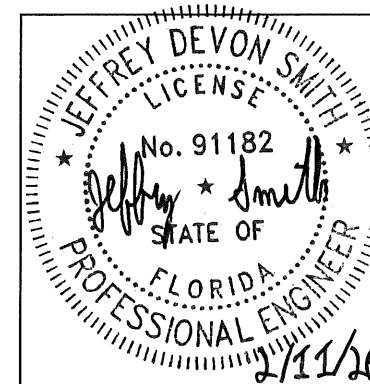
Tolerances  
Unless Stated Otherwise  
Use WIQ-007

**RELIABLE**  
1300 Enterprise Road  
Geneva, Alabama 36340  
PROPRIETARY AND  
CONFIDENTIAL

**ALTERNATE INSTALLATION TABLE 2 - 5DDWRDCV RETAINING ANGLE / ZEE INSTALLATION (BY OTHERS)**

SUBSTRATE TYPE	MIN. SUBSTRATE REQUIREMENTS	FASTENER TYPE	MAX. C-C SPACING AT HEAD & SILL	MIN. EMBEDMENT	MIN. EDGE DISTANCE
WOOD	3" THICK, 0.42 SPECIFIC GRAVITY	3/8" DIA. BOLT W/ NUT, MIN. A307 GRADE A	6"	3 THREADS BEYOND NUT	3"
		3/8" DIA. LAG SCREW, MIN. A307 GRADE A	6"	2 5/8"	3"
STEEL	16 GA, 45 KSI TENSILE STRENGTH, 33 KSI YIELD STRENGTH	3/8" DIA. BOLT W/ NUT, MIN. A307 GRADE A	6"	3 THREADS BEYOND NUT	3/4"
	12 GA, 45 KSI TENSILE STRENGTH, 33 KSI YIELD STRENGTH	5/16" DIA. SELF DRILLING SCREW, MIN. SAE GRADE 2	6"	3 THREADS BEYOND SUB. THICKNESS	5/8"
ALUMINUM	0.125" THICK, 20 KSI TENSILE STRENGTH, 15 KSI YIELD STRENGTH	3/8" DIA. BOLT W/ NUT, MIN. A307 GRADE A	6"	3 THREADS BEYOND NUT	3/4"
		5/16" DIA. SELF DRILLING SCREW, MIN. SAE GRADE 2	3"	3 THREADS BEYOND SUB. THICKNESS	5/8"
CONCRETE	UNCRACKED, 2220 PSI COMP. STRENGTH	1/4" DIA. ELCO AGGRE-GATOR, 300 SERIES SS	3"	1 3/4"	1 1/2"
	UNCRACKED, 2500 PSI COMP. STRENGTH	1/4" DIA. BUILDEX TAPCON+, CARBON STEEL	6"	2 1/4"	4"
	CRACKED, 2500 PSI COMP. STRENGTH	3/8" DIA. BUILDEX TAPCON+, CARBON STEEL	6"	2 1/2"	4"
		3/8" DIA. POWERS POWER-STUD+ SD1, CARBON STEEL	6"	2 3/8"	4"
GROUT FILLED CMU	ASTM C-90 BLOCK, 1500 PSI GROUT COMP. STRENGTH	1/4" DIA. ELCO AGGRE-GATOR, 300 SERIES SS	3"	2"	2"
		3/8" DIA. POWERS POWER-STUD+ SD1, CARBON STEEL	6"	2 3/8"	4"

**NOTE:**  
DESIGN OF SUBSTRATE IS NOT BY RELIABLE (N.I.C.). ACTUAL SUBSTRATE DEPTH SHALL BE PER PROJECT DRAWINGS.



**JEFFREY DEVON SMITH, P.E.**  
NO. 91182

**PRODUCT APPROVED**  
as complying with the Florida Building Code  
NOA-No. 26-0304.01  
Approval Date 05/14/2026  
By *[Signature]*  
**Miami-Dade Product Control**

Tolerances  
Unless Stated Otherwise  
Use WIC-007

REV	DESCRIPTION	BY	CHK	APVD	ECN	DATE
AUTHOR	E-R	12/12/2025				
CHECKED	JDS					
APPROVED	N-S					
APPROVED						
MATERIAL	EXTRUDED ALUMINUM	TITLE SUBSTRATE FASTENER TABLE 2				
SIZE	D	DWG NO	60-022764-00D			
ECN	14300	1/30/2026	SCALE	NONE		
			INVENTOR	SHEET 11 OF 17		

**RELIABLE**  
1300 Enterprise Road  
Geneva, Alabama 36340  
PROPRIETARY AND CONFIDENTIAL

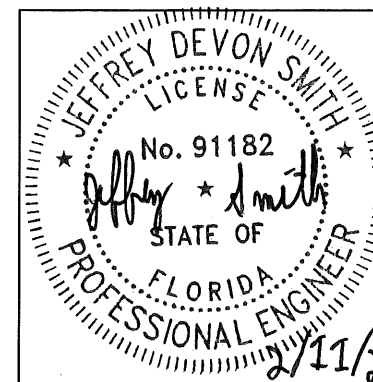
PRODUCT 5DDWRDCV / WIND-DRIVEN RAIN RESISTANT LOUVER

**TABLE 2A - 5DDWRDCV- JAMB ALTERNATE INSTALLATION WALL FASTENER TABLE, 3 FASTENERS PER ANGLE (BY OTHERS)**

SUBSTRATE TYPE	MIN. SUBSTRATE REQUIREMENTS	FASTENER TYPE	MIN. EMBEDMENT	MIN. EDGE DISTANCE
WOOD	3" THICK, 0.42 SPECIFIC GRAVITY	3/8" DIA BOLT W/ NUT, MIN A 307 GRADE A	3 THREADS BEYOND NUT	3/4"
STEEL	16 GA, 45 KSI TENSILE STRENGTH, 33 KSI YIELD STRENGTH	3/8" DIA. BOLT W/ NUT, MIN. A307 GRADE A	3 THREADS BEYOND NUT	3/4"
	12 GA, 45 KSI TENSILE STRENGTH, 33 KSI YIELD STRENGTH	5/16" DIA. SELF DRILLING SCREW, MIN. SAE GRADE 2	3 THREADS BEYOND SUB. THICKNESS	5/8"
ALUMINUM	0.125" THICK, 20 KSI TENSILE STRENGTH, 15 KSI YIELD STRENGTH	3/8" DIA. BOLT W/ NUT, MIN. A307 GRADE A	3 THREADS BEYOND NUT	3/4"
	0.188" THICK, 20 KSI TENSILE STRENGTH, 15 KSI YIELD STRENGTH	5/16" DIA. SELF DRILLING SCREW, MIN. SAE GRADE 2	3 THREADS BEYOND SUB. THICKNESS	5/8"
CONCRETE	UNCRAKED, 2500 PSI COMP. STRENGTH	1/4" DIA. BUILDEX TAPCON+, CARBON STEEL	2"	4"
	CRACKED, 2500 PSI COMP. STRENGTH	3/8" DIA. BUILDEX TAPCON+, CARBON STEEL	2 1/2"	4"
		3/8" DIA. POWERS POWER-STUD+ SD1, CARBON STEEL	2 3/8"	4"
GROUT FILLED CMU	ASTM C-90 BLOCK, 1500 PSI GROUT COMP. STRENGTH	1/4" DIA. ELCO AGGRE-GATOR, 300 SERIES	2"	4"
		3/8" DIA. POWERS POWER-STUD+ SD1, CARBON STEEL	2 3/8"	4"

**NOTE:**

DESIGN OF SUBSTRATE IS NOT BY RELIABLE (N.I.C.). ACTUAL SUBSTRATE DEPTH SHALL BE PER PROJECT DRAWINGS.



**JEFFREY DEVON SMITH, P.E.**  
NO. 91182

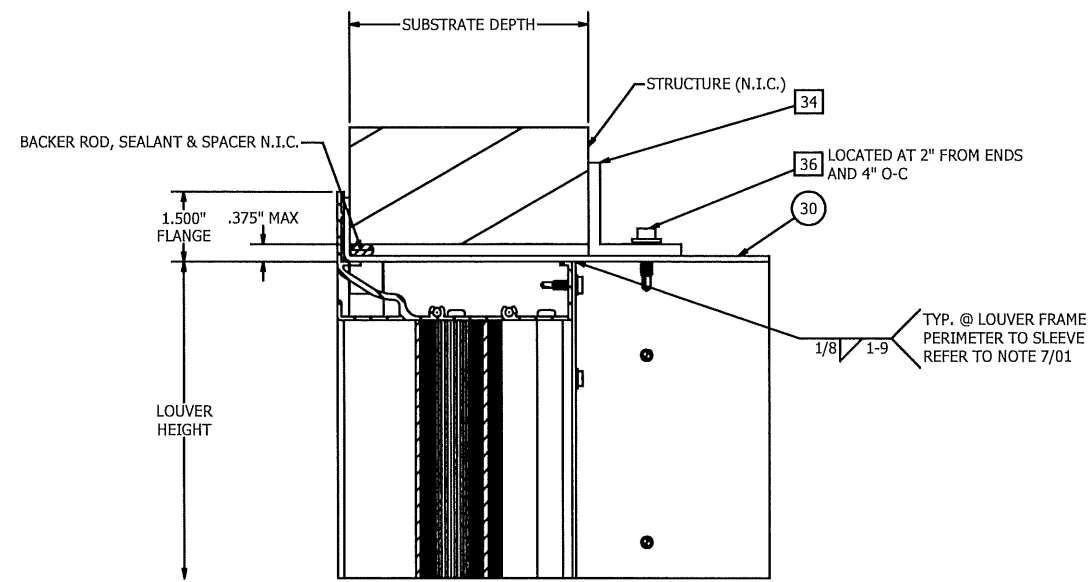
**PRODUCT APPROVED**  
as complying with the Florida Building Code  
NOA-No. 26-0304.01  
Approval Date 05/14/2026  
By *[Signature]*  
**Miami-Dade Product Control**

Tolerances  
Unless Stated Otherwise  
Use WIQ-007

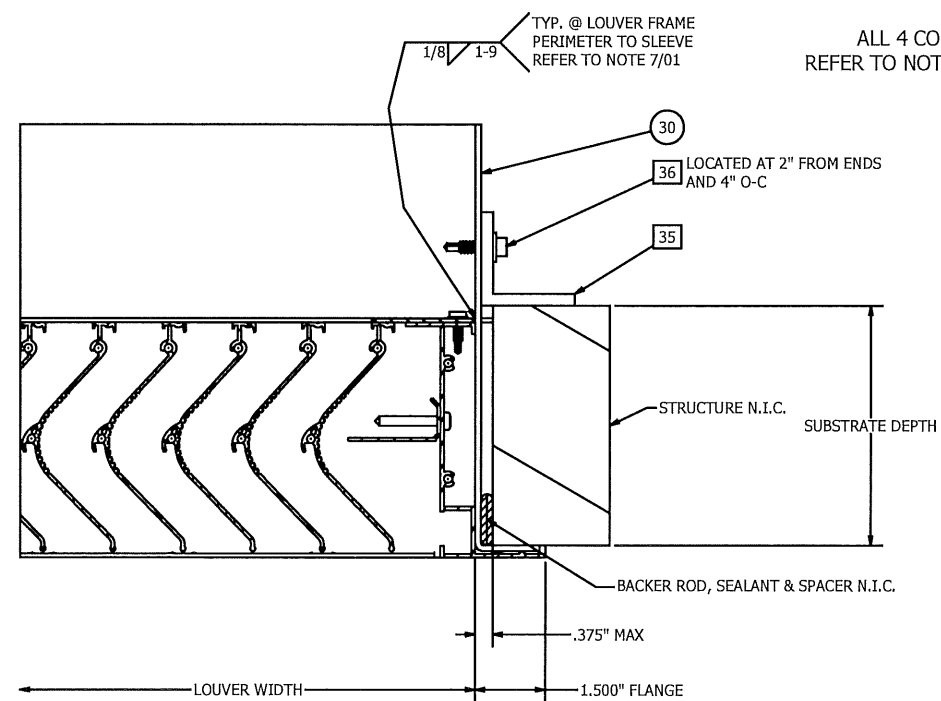
REV	DESCRIPTION	BY	CHK	APVD	ECN	DATE
AUTHOR	E-R	12/12/2025				
CHECKED	JDS					
APPROVED	N-S					
APPROVED						
MATERIAL	EXTRUDED ALUMINUM	TITLE	SUBSTRATE FASTENER TABLE 2A			
SIZE	D	DWG NO	60-022764-00D			
ECN	14300	1/30/2026	SCALE	NONE		
			INVENTOR	SHEET 12 OF 17		

**RELIABLE**  
1300 Enterprise Road  
Geneva, Alabama 36340  
PROPRIETARY AND  
CONFIDENTIAL

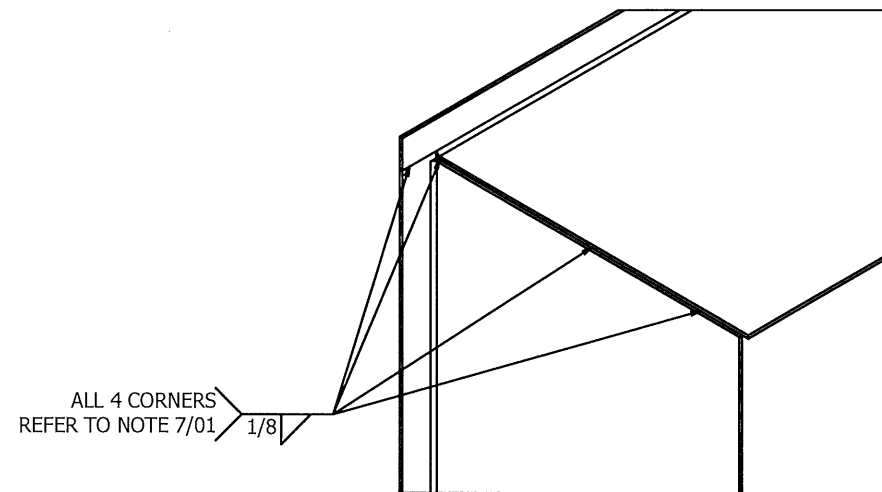
PRODUCT 5DDWRDCV / WIND-DRIVEN RAIN RESISTANT LOUVER



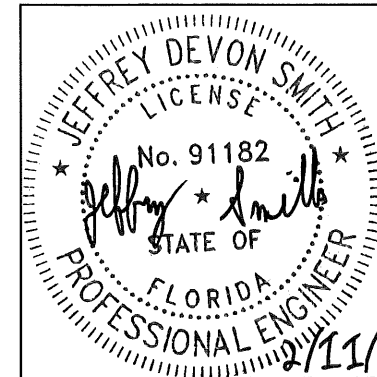
**DETAIL N - UNIVERSAL SLEEVE INSTALLATION - HEAD/SILL**  
(HEAD CONNECTION SHOWN)



**DETAIL P - UNIVERSAL SLEEVE INSTALLATION - JAMB**  
(RIGHT HAND JAMB CONNECTION SHOWN)



**DETAIL Q - UNIVERSAL SLEEVE CORNER WELDS**



JEFFREY DEVON SMITH, P.E.  
NO. 91182

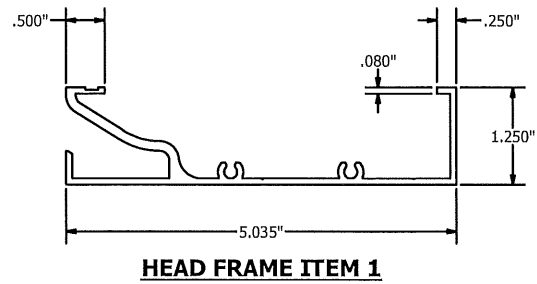
**PRODUCT APPROVED**  
as complying with the Florida  
Building Code  
NOA-No. 26-0304.01  
Approval Date 05/14/2026  
By *[Signature]*  
Miami-Dade Product Control

Tolerances  
Unless Stated Otherwise  
Use WIQ-007

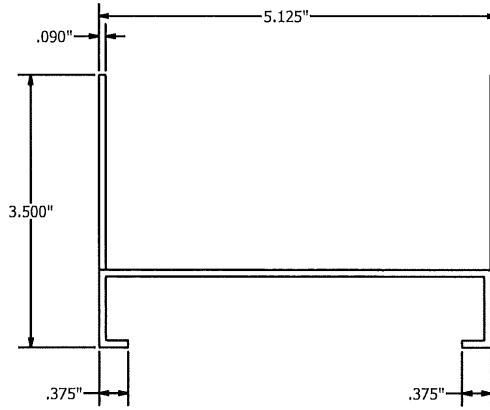
REV	DESCRIPTION	BY	CHK	APVD	ECN	DATE
AUTHOR	E-R	12/12/2025				
CHECKED	JDS					
APPROVED	N-S					
APPROVED						
MATERIAL	EXTRUDED ALUMINUM	TITLE	UNIVERSAL SLEEVE INSTALLATION DETAILS			
SIZE	D	DWG NO	60-022764-00D			
ECN	14300	1/30/2026	SCALE	NONE	INVENTOR	SHEET 13 OF 17

**RELIABLE**  
1300 Enterprise Road  
Geneva, Alabama 36340  
PROPRIETARY AND  
CONFIDENTIAL

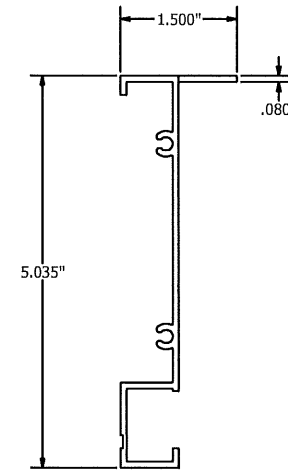
PRODUCT SDDWRDCV / WIND-DRIVEN RAIN RESISTANT LOUVER



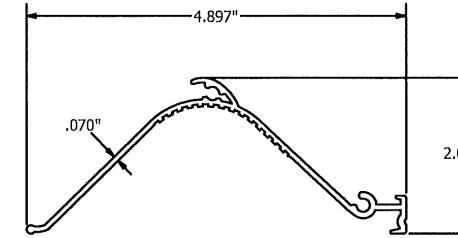
**HEAD FRAME ITEM 1**



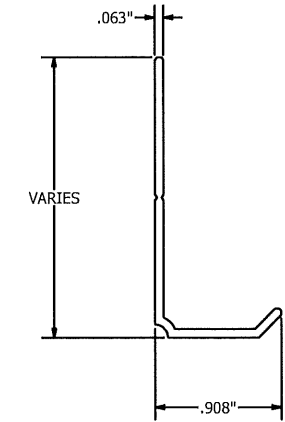
**SILL FRAME ITEM 2**



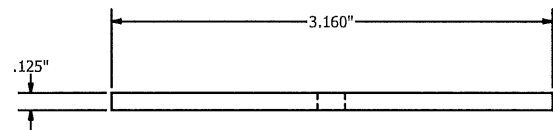
**JAMB FRAME ITEM 3**



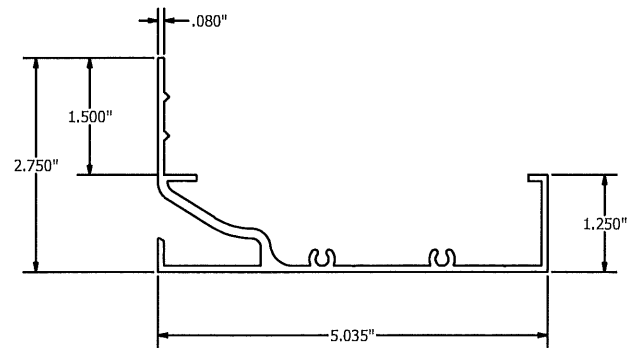
**BLADE ITEM 4**



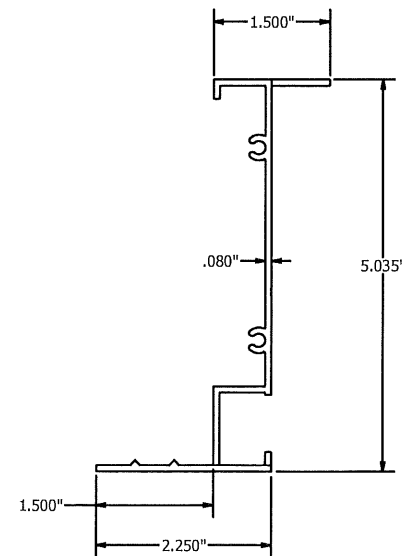
**WATERSTOP ITEM 5**



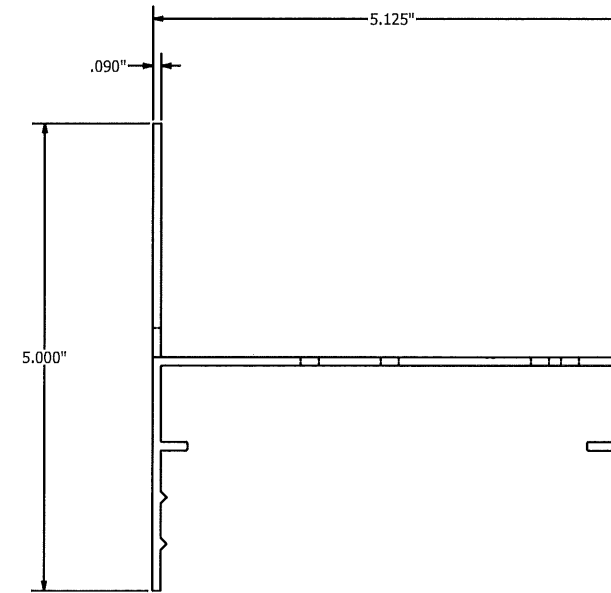
**H.H.B.S ITEM 6**



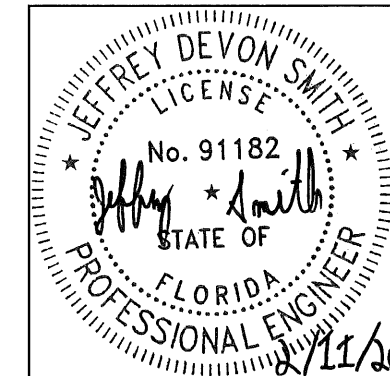
**HEAD FRAME W/ INTEGRAL FLANGE ITEM 31**



**JAMB FRAME W/ INTEGRAL FLANGE ITEM 32**



**SILL FRAME W/ INTEGRAL FLANGE ITEM 33**

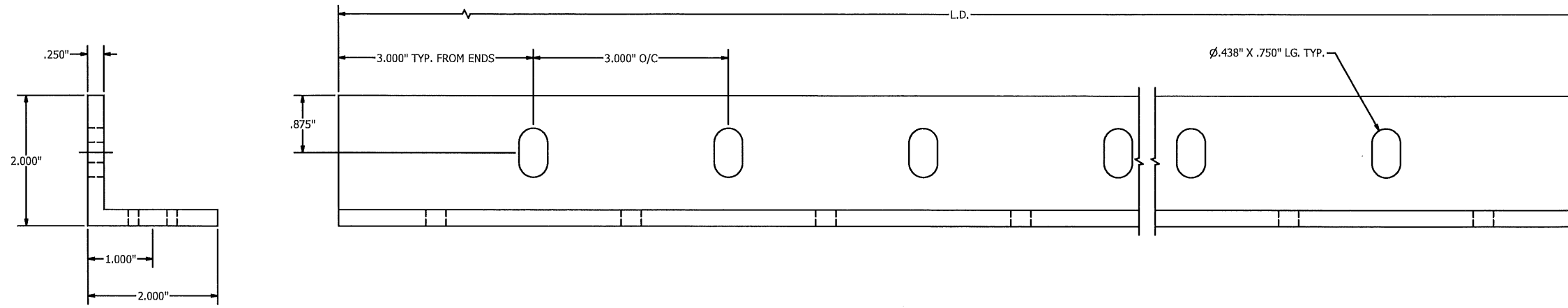


**JEFFREY DEVON SMITH, P.E.**  
NO. 91182

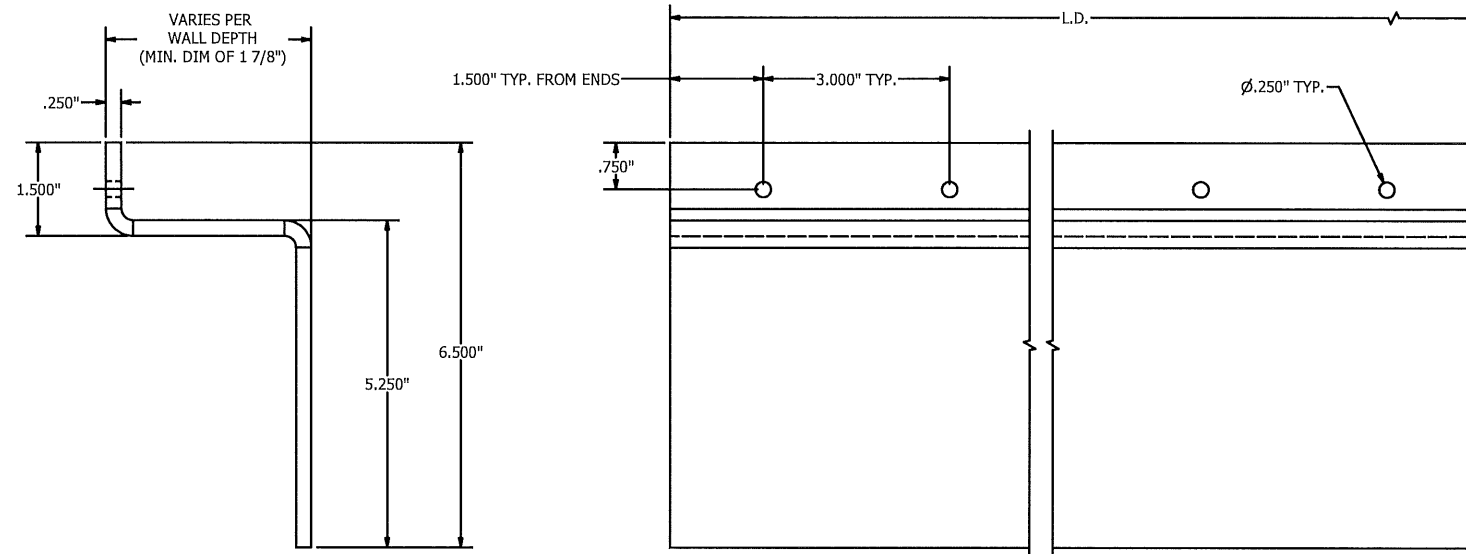
**PRODUCT APPROVED**  
as complying with the Florida  
Building Code  
NOA-No. 26-0304.01  
Approval Date 05/14/2026  
By *[Signature]*  
Miami-Dade Product Control

Tolerances  
Unless Stated Otherwise  
Use WIQ-007

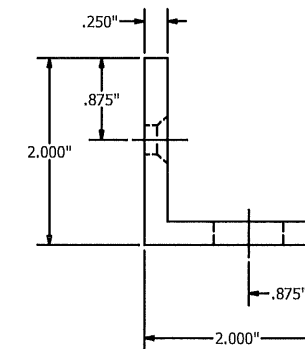
REV	DESCRIPTION	BY	CHK	APVD	ECN	DATE
AUTHOR	E-R	12/12/2025				
CHECKED	JDS					
APPROVED	N-S					
MATERIAL	EXTRUDED ALUMINUM					
PRODUCT	5DDWRDCV / WIND-DRIVEN RAIN RESISTANT LOUVER	1300 Enterprise Road Geneva, Alabama 36340 PROPRIETARY AND CONFIDENTIAL				
TITLE	LOUVER ASSEMBLY PART PROFILES					
SIZE	D	DWG NO.	60-022764-00D			
ECN	14300	SCALE	NONE	INVENTOR	SHEET 14 OF 17	



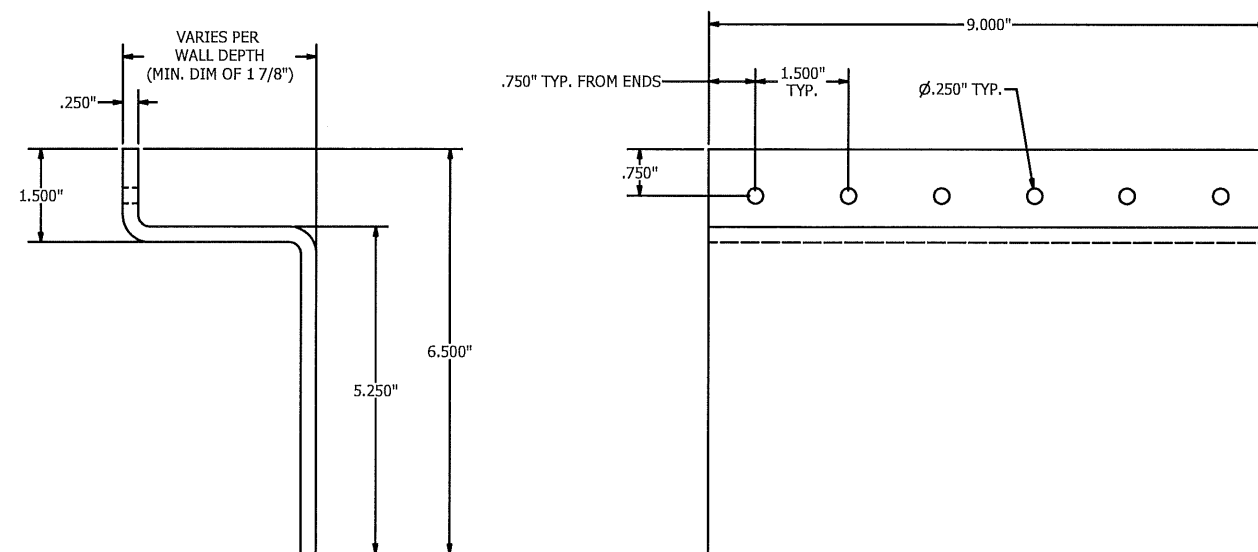
**INSTALL ANGLE ITEM 16**



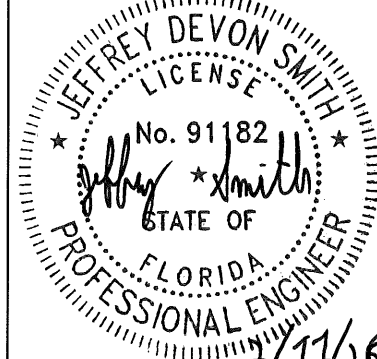
**RETAINING ZEE ITEM 20**



**REVERSE ANGLE ITEM 19**



**RETAINING ZEE ITEM 21**



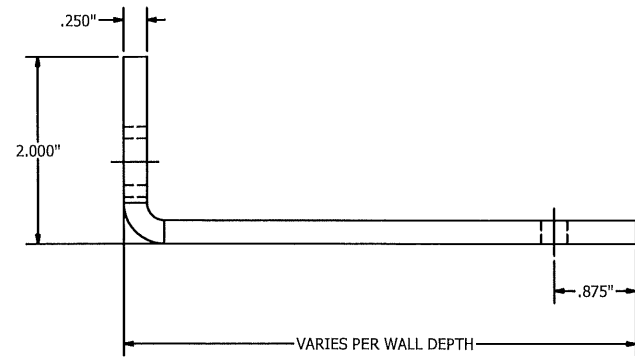
**JEFFREY DEVON SMITH, P.E.**  
NO. 91182

**PRODUCT APPROVED**  
as complying with the Florida  
Building Code  
NOA-No. 26-0304.01  
Approval Date 05/14/2026  
By *[Signature]*  
Miami-Dade Product Control

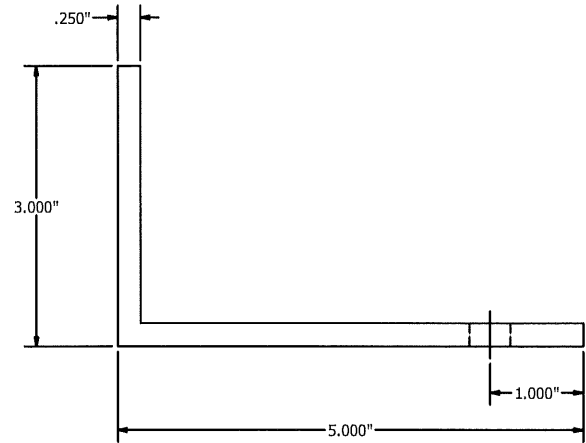
Tolerances  
Unless Stated Otherwise  
Use WIQ-007

REV	DESCRIPTION	BY	CHK	APVD	ECN	DATE
AUTHOR	E-R	12/12/2025				
CHECKED	JDS					
APPROVED	N-S					
MATERIAL	EXTRUDED ALUMINUM					
PRODUCT	5DDWRDCV / WIND-DRIVEN RAIN RESISTANT LOUVER					
TITLE	INSTALLATION PART PROFILES					
SIZE	D					
DWG NO	60-022764-00D					
ECN	14300	1/30/2026	SCALE	NONE	INVENTOR	SHEET 15 of 17

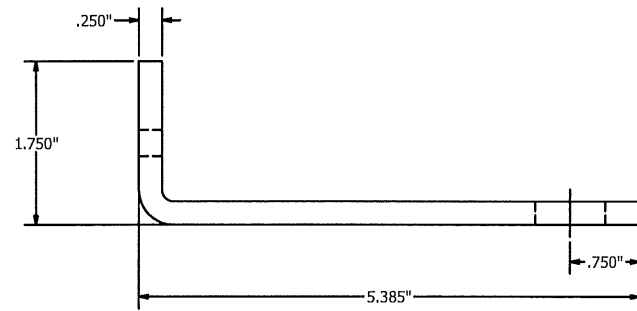
**RELIABLE**  
EXTRUDED ALUMINUM PRODUCTS  
1300 Enterprise Road  
Geneva, Alabama 36340  
PROPRIETARY AND  
CONFIDENTIAL



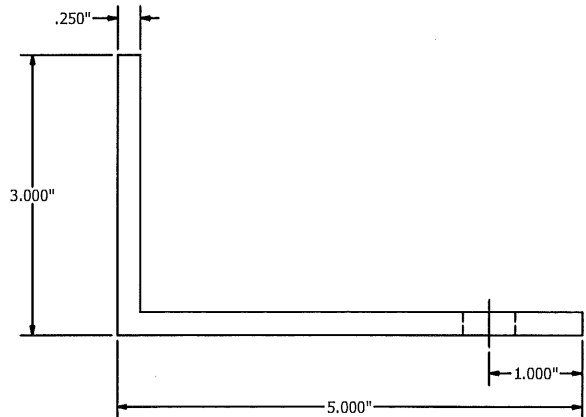
**FORMED DOUBLE ANGLE ITEM 22**



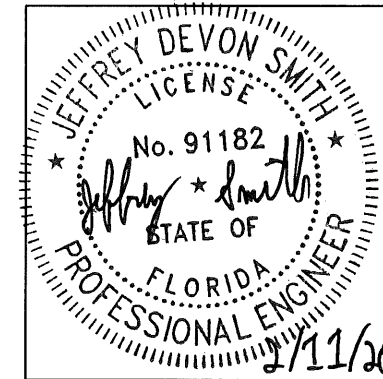
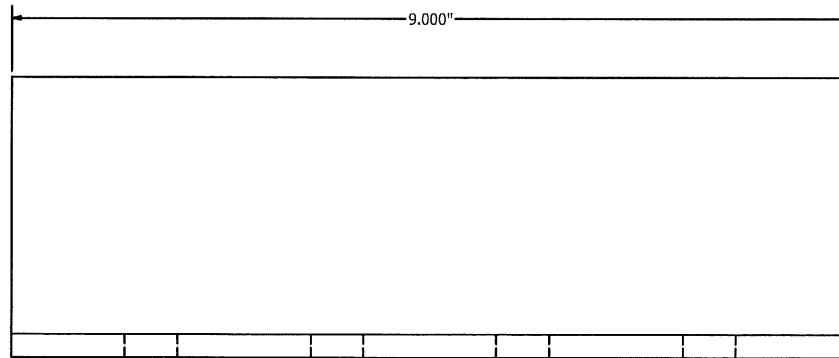
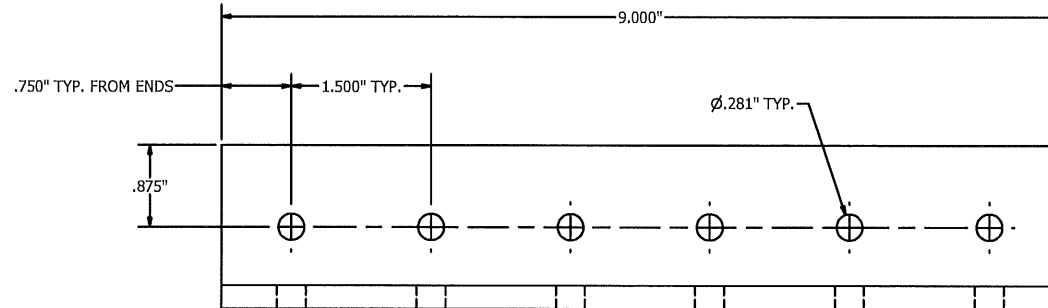
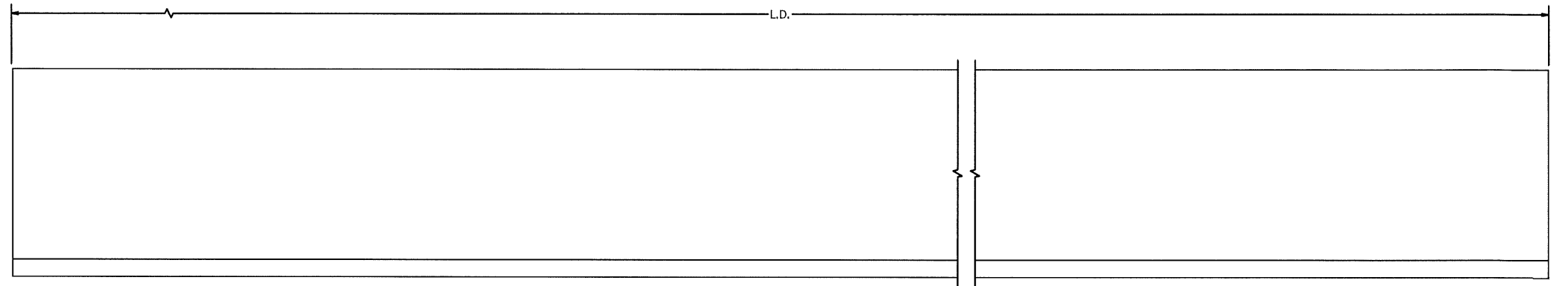
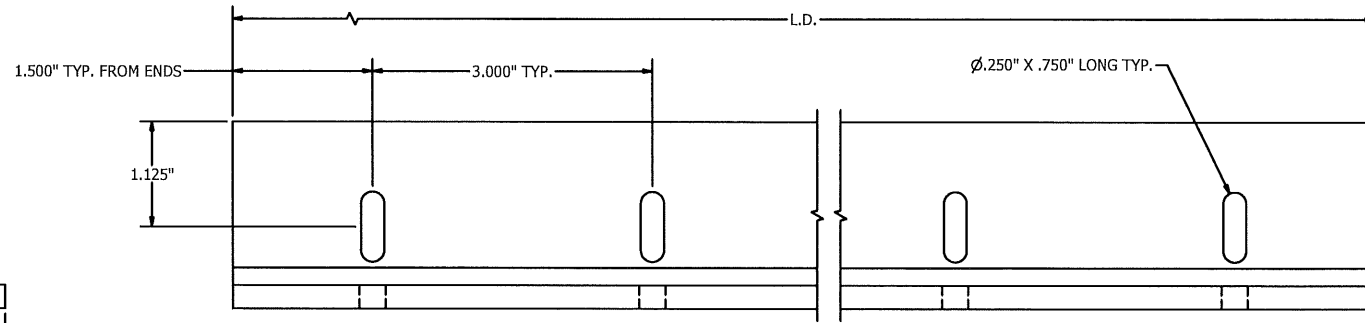
**EXTRUDED DOUBLE ANGLE ITEM 24**



**FORMED DOUBLE ANGLE JAMB ITEM 23**



**EXTRUDED DOUBLE ANGLE ITEM 25**



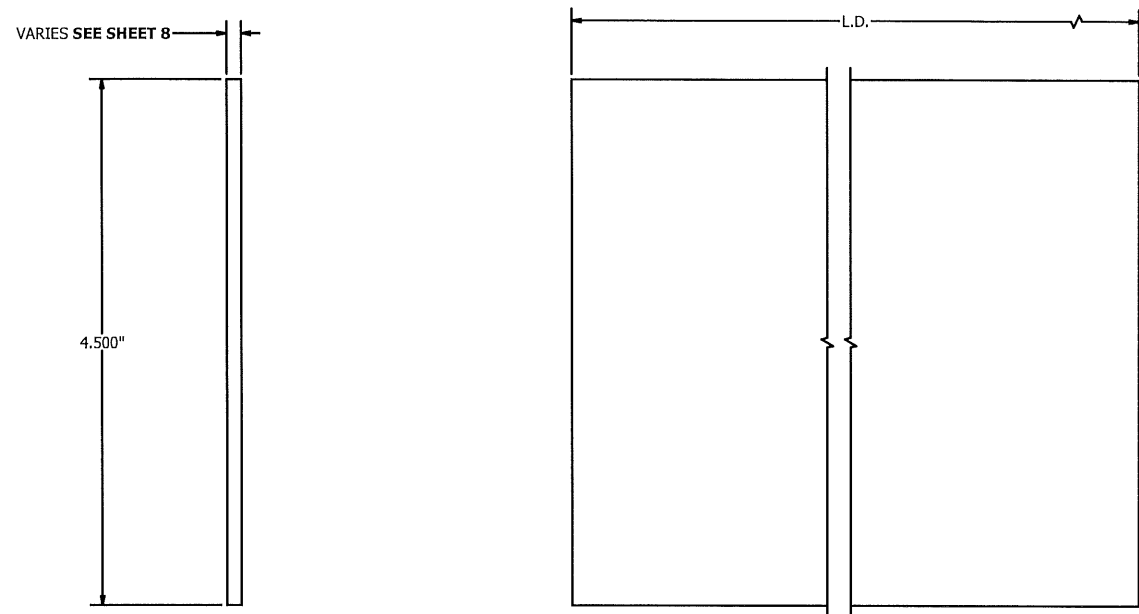
**PRODUCT APPROVED**  
 as complying with the Florida  
 Building Code  
 NOA-No. 26-0304.01  
 Approval Date 05/14/2026  
 By *[Signature]*  
 Miami-Dade Product Control

JEFFREY DEVON SMITH, P.E.  
 NO. 91182

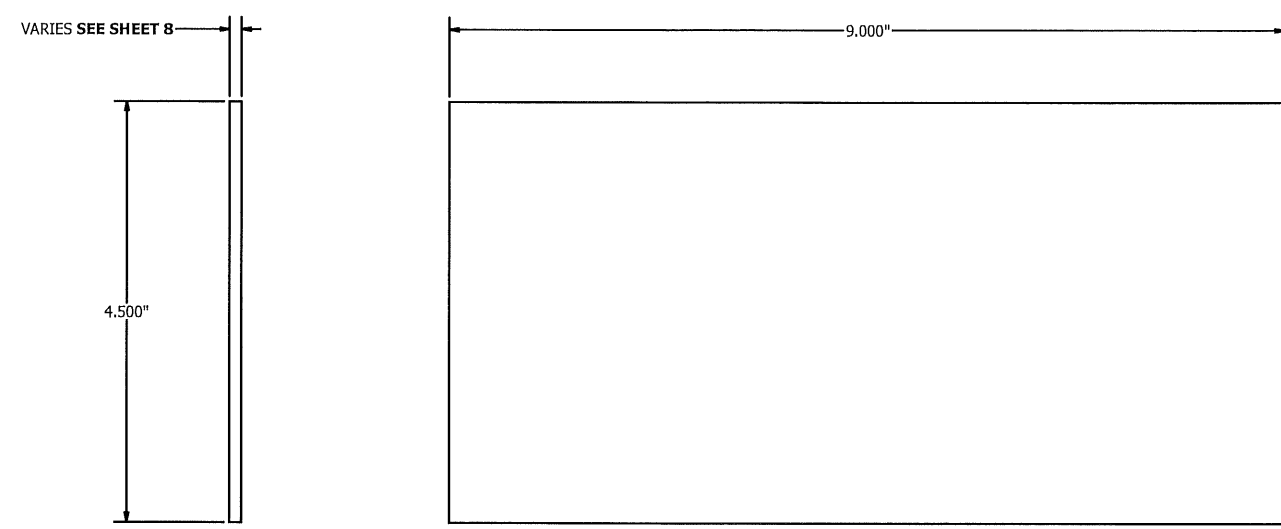
Tolerances  
 Unless Stated Otherwise  
 Use WIQ-007

REV	DESCRIPTION	BY	CHK	APVD	ECN	DATE
AUTHOR	E-R	12/12/2025				
CHECKED	JDS					
APPROVED	N-S					
APPROVED						
MATERIAL	EXTRUDED ALUMINUM	TITLE	INSTALLATION PART PROFILES			
SIZE	D	DWG NO	60-022764-00D			
ECN	14300	SCALE	NONE	INVENTOR	SHEET 16 of 17	

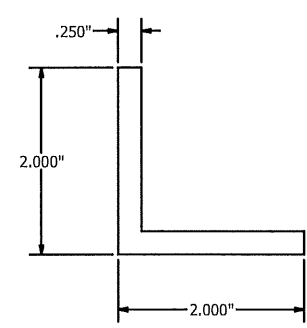
**RELIABLE**  
 LOUVERS - SCREEN WALLS - SHUTTERS  
 1300 Enterprise Road  
 Geneva, Alabama 36340  
 PROPRIETARY AND  
 CONFIDENTIAL



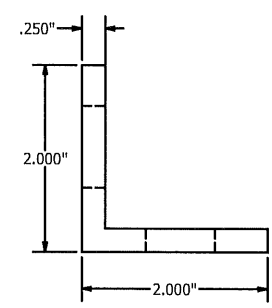
**STIFFENER PLATE - HEAD & SILL ITEM 26**



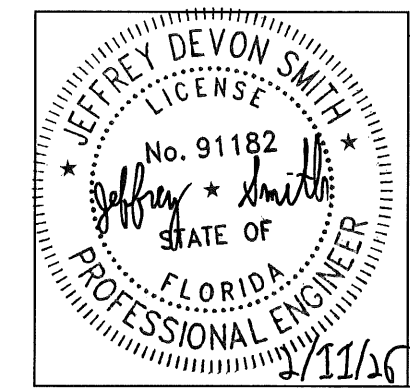
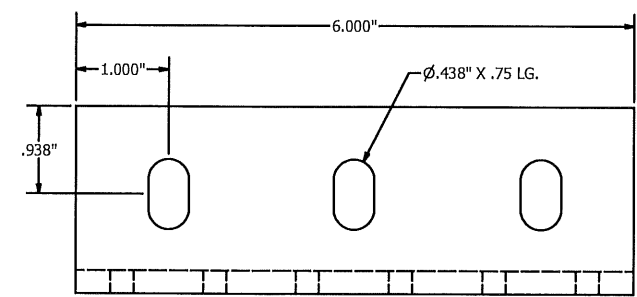
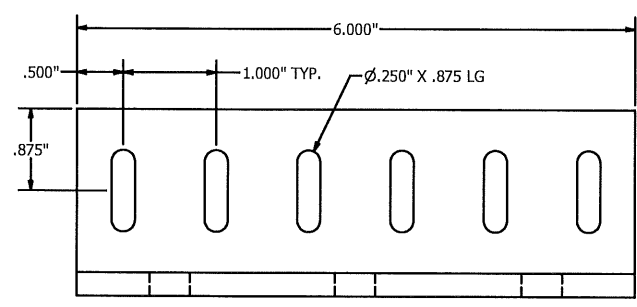
**STIFFENER PLATE - JAMB ITEM 27**



**RETAINING ANGLE ITEMS 34 & 35**

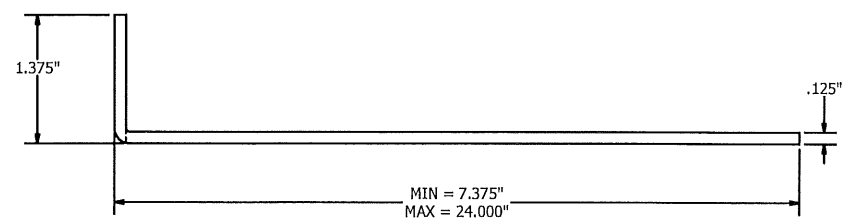


**INSTALL ANGLE ITEM 17**



**PRODUCT APPROVED**  
 as complying with the Florida  
 Building Code  
 NOA-No. 26-0304.01  
 Approval Date 05/14/2026  
 By *[Signature]*  
 Miami-Dade Product Control

JEFFREY DEVON SMITH, P.E.  
 NO. 91182



**UNIVERSAL SLEEVE ITEM 30**

Tolerances  
 Unless Stated Otherwise  
 Use WIQ-007

REV	DESCRIPTION	BY	CHK	APVD	ECN	DATE
AUTHOR	E-R	12/12/2025				
CHECKED	JDS					
APPROVED	N-S					
MATERIAL		PRODUCT				
EXTRUDED ALUMINUM		SDDWRDCV / WIND-DRIVEN RAIN RESISTANT LOUVER				
TITLE		INSTALLATION PART PROFILES				
SIZE	D	DWG NO	60-022764-00D		REV	-
ECN	14300	SCALE	NONE		INVENTOR	SHEET 17 OF 17
		DATE	1/30/2026			

**RELIABLE**  
 1300 Enterprise Road  
 Geneva, Alabama 36340  
 PROPRIETARY AND  
 CONFIDENTIAL