



DEPARTMENT OF REGULATORY AND ECONOMIC RESOURCES (RER)
BOARD AND CODE ADMINISTRATION DIVISION

NOTICE OF ACCEPTANCE (NOA)

MIAMI-DADE COUNTY
PRODUCT CONTROL SECTION
11805 SW 26 Street, Room 208
Miami, Florida 33175-2474
T (786) 315-2590 F (786) 315-2599
www.miamidade.gov/economy

S&P Air Control, LLC
3005 South Hickory Street
Chattanooga, TN 37407

SCOPE:

This NOA is being issued under the applicable rules and regulations governing the use of construction materials. The documentation submitted has been reviewed and accepted by Miami-Dade County RER-Product Control Section to be used in Miami Dade County and other areas where allowed by the Authority Having Jurisdiction (AHJ).

This NOA shall not be valid after the expiration date stated below. The Miami-Dade County Product Control Section (In Miami Dade County) and/or the AHJ (in areas other than Miami Dade County) reserve the right to have this product or material tested for quality assurance purposes. If this product or material fails to perform in the accepted manner, the manufacturer will incur the expense of such testing and the AHJ may immediately revoke, modify, or suspend the use of such product or material within their jurisdiction. RER reserves the right to revoke this acceptance, if it is determined by Miami-Dade County Product Control Section that this product or material fails to meet the requirements of the applicable building code.

This product is approved as described herein and has been designed to comply with the Florida Building Code, including the High Velocity Hurricane Zone.

DESCRIPTION: Model D-HV-9 Aluminum Louver System (80 fps Impact)

APPROVAL DOCUMENT: Drawing No. **25-062**, titled “Model D-HV-9 Horizontal Louver System (EL-4) as front decorative cover to approved Model WDV-130 Vertical (L.M.I.) Aluminum Louver System”, sheets 1 through 11 of 11, dated 07/07/2025, prepared by Tilteco, Inc., signed and sealed by Walter A. Tillit Jr., P.E., bearing the Miami-Dade County Product Control renewal stamp with the Notice of Acceptance number and expiration date by the Miami-Dade County Product Control Section.

MISSILE IMPACT RATING: Large and Small Missile Impact Resistant.

LABELING: A permanent label with the manufacturer's name or logo, Chattanooga, TN or Hartford, AL, model/series, and following statement: "Miami-Dade County Product Control Approved", is to be located on each unit.

RENEWAL of this NOA shall be considered after a renewal application has been filed and there has been no change in the applicable building code negatively affecting the performance of this product.

TERMINATION of this NOA will occur after the expiration date or if there has been a revision or change in the materials, use, and/or manufacture of the product or process. Misuse of this NOA as an endorsement of any product, for sales, advertising or any other purposes shall automatically terminate this NOA. Failure to comply with any section of this NOA shall be cause for termination and removal of NOA.

ADVERTISEMENT: The NOA number preceded by the words Miami-Dade County, Florida, and followed by the expiration date may be displayed in advertising literature. If any portion of the NOA is displayed, then it shall be done in its entirety.

INSPECTION: A copy of this entire NOA shall be provided to the user by the manufacturer or its distributors and shall be available for inspection at the job site at the request of the Building Official.

This NOA **renews NOA # 25-0805.08** and consists of this page 1 and evidence pages E-1 and E-2, as well as approval document mentioned above.

The submitted documentation was reviewed by **Carlos M. Utrera, P.E.**



03/18/26

NOA No. 26-0304.02
Expiration Date: May 6, 2031
Approval Date: March 26, 2026
Page 1

NOTICE OF ACCEPTANCE: EVIDENCE SUBMITTED

1. Evidence submitted under previous NOAs and new

A. DRAWINGS

1. Drawing No. **25-062**, titled “Model D-HV-9 Horizontal Louver System (EL-4) as front decorative cover to approved Model WDV-130 Vertical (L.M.I.) Aluminum Louver System”, sheets 1 through 11 of 11, dated 07/07/2025, prepared by Tilteco, Inc., signed and sealed by Walter A. Tillit Jr., P.E.

B. TESTS “Submitted under NOA # 21-0216.02”

1. Test reports on 1) Uniform Static Air Pressure Test, Loading per FBC TAS 202-94
2) Cyclic Wind Pressure Loading per FBC, TAS 203-94
along with marked-up drawings and installation diagram of Model D-HV-9 Aluminum Louver Systems, prepared by Intertek, Test Report No. **L4545.01-550-18 R1**, dated 01/04/2021, with revision dated 01/15/2021, signed and sealed by Vinu J. Abraham, P.E.

“Submitted under NOA # 20-0109.02”

2. Test reports on 1) Uniform Static Air Pressure Test, Loading per FBC TAS 202-94
2) Large Missile Impact Test per FBC, TAS 201-94 (Level “E”, 80 fps)
3) Cyclic Wind Pressure Loading per FBC, TAS 203-94
along with marked-up drawings and installation diagram of Model WDV-130 Vertical Aluminum Louver Systems, prepared by PRI Construction Materials Technologies LLC, Test Report No. **1697T0001.01.01**, dated 11/20/2019, signed and sealed by Zachary Priest, P.E. on 01/27/2020.
3. Test Report on High Velocity Wind Driven Rain Resistance Test per ANSI/AMCA 550-15 of a Model WDV-130 Vertical Aluminum Louver System, prepared by PRI Construction Materials Technologies LLC, Report No. **1697T0001.02**, dated 10/16/2019, signed and sealed by Zachary Priest, P.E.

C. CALCULATIONS “Submitted under NOA # 21-0216.02”

1. Structural analysis and anchor calculations, prepared by Tilteco, Inc, dated 02/01/2021, signed and sealed by Walter A. Tillit Jr., P.E.
2. Structural analysis and anchor calculations, prepared by Tilteco, Inc, dated 09/30/2019, signed and sealed by Walter A. Tillit Jr., P.E. **“Submitted under NOA # 20-0109.02”**

D. QUALITY ASSURANCE

1. Miami-Dade Department of Regulatory and Economic Resources (RER).

E. MATERIAL CERTIFICATIONS “Submitted under NOA # 20-0109.02”

1. Test Report on Large Missile Impact (Level “E”, 80 fps) Test per ANSI/AMCA 540-13 and Cyclic Wind Pressure Loading per FBC, TAS 203-94 of Model WDV-130 Vertical Aluminum Louver Systems, prepared by PRI Construction Materials Technologies LLC, Report No. **1697T0001.03**, dated 11/20/2019, signed and sealed by Zachary Priest, P.E.

F. STATEMENTS

1. Amended Sales Agreement made on April 8th, 2024 by S&P Air Control, LLC.
2. Statement letter of code conformance to the 8th edition (2023) of the FBC, issued by Tilteco, Inc., dated 07/07/2023, signed and sealed by Walter A. Tillit Jr., P.E.
3. Statement letter of no financial interest letter issued by Tilteco, Inc., dated 01/13/2021, signed and sealed by Walter A. Tillit Jr., P.E.



Carlos M. Utrera, P.E.
Product Control Examiner
NOA No. 26-0304.02
Expiration Date: May 6, 2031
Approval Date: March 26, 2026

NOTICE OF ACCEPTANCE: EVIDENCE SUBMITTED

2. New evidence submitted

A. DRAWINGS

1. None.

B. TESTS

2. Test reports on 1) Uniform Static Air Pressure Test, Loading per FBC TAS 202-94
2) Large Missile Impact Test per FBC, TAS 201-94 (Level "E", 80 fps)
3) Cyclic Wind Pressure Loading per FBC, TAS 203-94
along with marked-up drawings and installation diagram of Model FL-D-4 Aluminum Horizontal Louver System, prepared by PRI Construction Materials Technologies LLC, Test Report No. **1697T0008**, dated 02/13/2026, signed and sealed by Zachary Priest, P.E.

C. CALCULATIONS

1. None.

D. QUALITY ASSURANCE

1. Miami-Dade Department of Regulatory and Economic Resources (RER).

E. MATERIAL CERTIFICATIONS

1. None.

F. STATEMENTS

1. Statement letter of code conformance to the 8th edition (2023) of the FBC, issued by Tilteco, Inc., dated 02/27/2026, signed and sealed by Walter A. Tillit Jr., P.E.



Carlos M. Utrera, P.E.
Product Control Examiner
NOA No. 26-0304.02
Expiration Date: May 6, 2031
Approval Date: March 26, 2026

**MODEL D-HV-9 CONSISTING OF THE INSTALLATION OF HORIZONTAL LOUVER SYSTEM (EL-4) AS FRONT DECORATIVE COVER
TO REAR APPROVED MODEL WDV-130 VERTICAL LARGE MISSILE IMPACT RESISTANT ALUM. LOUVER SYSTEM**

GENERAL NOTES

1. MODEL D-HV-9 CONSISTING OF THE INSTALLATION OF HORIZONTAL LOUVER SYSTEM (EL-4) AS FRONT DECORATIVE COVER TO REAR APPROVED MODEL WDV-130 VERTICAL LARGE MISSILE IMPACT RESISTANT ALUM. LOUVER SYSTEM SHOWN ON THIS PRODUCT APPROVAL DOCUMENT (P.A.D.) HAS BEEN VERIFIED FOR COMPLIANCE IN ACCORDANCE WITH THE **2023 (8th EDITION) AND 2020 (7th EDITION)** OF THE FLORIDA BUILDING CODE. THIS ALUMINUM LOUVER SYSTEM MAY BE INSTALLED AT HIGH VELOCITY HURRICANE ZONES (H.V.H.Z).

DESIGN WIND LOADS SHALL BE DETERMINED AS PER SECTION **1620** OF THE ABOVE MENTIONED CODE, USING **ASCE 7-22 (FBC 2023) AND ASCE 7-16 (FBC 2020)** AND SHALL NOT EXCEED THE MAXIMUM (A.S.D.) DESIGN PRESSURE RATING INDICATED ON THIS SHEET.

IN ORDER TO VERIFY THE ABOVE CONDITION, ULTIMATE DESIGN WIND LOADS DETERMINED PER ASCE 7-22 OR ASCE 7-16 SHALL BE FIRST REDUCED TO A.S.D. DESIGN WIND LOADS BY MULTIPLYING THEM BY 0.6 IN ORDER TO COMPARE THESE W/ MAX. (A.S.D.) DESIGN PRESSURE RATING INDICATED ON THIS SHEET.

MODEL D-HV-9 CONSISTING OF THE INSTALLATION OF HORIZONTAL LOUVER SYSTEM (EL-4) AS FRONT DECORATIVE COVER TO REAR APPROVED MODEL WDV-130 VERTICAL LARGE MISSILE IMPACT RESISTANT ALUM. LOUVER SYSTEM ADEQUACY FOR WIND AND FATIGUE DUE TO WING RESISTANCE HAS BEEN VERIFIED IN ACCORDANCE WITH SECTION **1626** OF THE ABOVE MENTIONED CODE AS PER INTERTEK TESTING LAB REPORT # L4545.01-550-18R0, AS PER TAS-202, TAS-203 FOR (EL-4) SYSTEM & AS PER TAS 201, 202, 203 AND AMCA 540 FOR WDV-130 REAR APPROVED SYSTEM UNDER SEPARATE NOA.

- ALL ALUMINUM EXTRUSIONS SHALL BE 6063-T5 ALLOY AS PER BILL OF MATERIALS ON SHEET 2.
- ALL SCREWS TO BE STAINLESS STEEL 304 OR 316 SERIES WITH 50 ksi YIELD STRENGTH AND 90 ksi TENSILE STRENGTH OR CORROSION RESISTANT CARBON STEEL AS PER DIN 50018 AND SHALL COMPLY W/ FLORIDA BUILDING CODE SECTION 2411.3.3.4.
- ANCHOR (10) USED FOR CONNECTION TO EXISTING STRUCTURE SHALL BE AS FOLLOWS (SEE SHEETS 6 THRU 9 FOR DETAILS).

ANCHOR SHALL BE INSTALLED FOLLOWING ALL THE RECOMMENDATIONS AND SPECIFICATIONS OF THE ANCHORS MANUFACTURER. E.D. IS BEYOND ANY WALL FINISH. LAG SCREWS SHALL COMPLY WITH 2018 NDS.

ANCHOR TYPE	MANUFACTURER	DIAMETER OR GAGE	MIN. EMBEDMENT			MIN. EDGE DISTANCE (E.D.)			
			TO CONCRETE (f'c=3,000 psi) MIN.	TO CONCRETE BLOCK ASTM (C-90 UNIT) (f'c=1.5 ksi) GROUTED	1/4" MIN. (Fy=36ksi) GALV. STEEL	TO WOOD (G ≥ 0.55)	CONCRETE OR GROUTED CONCRETE BLOCK	STEEL	WOOD
SCREW-BOLT	DEWALT	3/8"	3 1/4"	3 1/4"	N/A	N/A	1 1/2"	N/A	N/A
LAG SCREW	-	3/8"	N/A	N/A	N/A	1 1/2"	N/A	N/A	1 1/2"
TAP-FLEX	ELCO CONST.	3/8"	N/A	N/A	FULLY EMB. PLUS 3 THREADS BEYOND.	N/A	N/A	3/4"	N/A

- MODEL D-HV-9 CONSISTING OF THE INSTALLATION OF HORIZONTAL LOUVER SYSTEM (EL-4) AS FRONT DECORATIVE COVER TO REAR APPROVED MODEL WDV-130 VERTICAL LARGE MISSILE IMPACT RESISTANT ALUM. LOUVER SYSTEM MAY BE INSTALLED IN LOCATIONS WHERE THE ROOM BEHIND IS NOT DESIGNED TO DRAIN WATER PENETRATING INTO THE ROOM, OR THE ROOM WILL HOUSE NON-WATER RESISTANT EQUIPMENT. COMPONENTS OR SUPPLIES INSTALLATION ON LOUVER IS LIMITED TO 40 FT. IN HEIGHT ACCORDING TO TABLE 3 OF TAS 100(A)-95.
- ALUMINUM MEMBERS IN CONTACT WITH DISSIMILAR MATERIALS SHALL COMPLY WITH SECTION III-6 OF THE 2020 & 2015 ALUMINUM DESIGN MANUAL.

- IT SHALL BE RESPONSIBILITY OF THE CONTRACTOR TO VERIFY THE SOUNDNESS OF THE STRUCTURE WHERE LOUVER SYSTEM IS TO BE ATTACHED TO INSURE PROPER ANCHORAGE.
- (A). THIS PRODUCT APPROVAL DOCUMENT (P.A.D.) PREPARED BY THIS ENGINEER IS GENERIC AND DOES NOT PROVIDE INFORMATION FOR A SPECIFIC PROJECT; I.E. WHERE THE SITE CONDITIONS DEVIATE FROM THE P.A.D.

(B). CONTRACTOR TO BE RESPONSIBLE FOR THE SELECTION, PURCHASE AND INSTALLATION INCLUDING LIFE SAFETY OF THIS PRODUCT, BASED ON THIS P.A.D., PROVIDED HE/SHE DOES NOT DEVIATE FROM THE CONDITIONS DETAILED ON THIS DOCUMENT.

(C). THIS PRODUCT APPROVAL DOCUMENT WILL BE CONSIDERED INVALID IF MODIFIED.

(D). SITE SPECIFIC PROJECTS SHALL BE PREPARED BY A FLORIDA REGISTERED ENGINEER OR ARCHITECT WHICH WILL BECOME THE ENGINEER OF RECORD (E.O.R.) FOR THE PROJECT AND WHO WILL BE RESPONSIBLE FOR THE PROPER USE OF THE P.A.D.

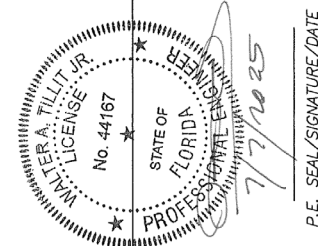
(E). ORIGINAL P.A.D. SHALL BEAR THE DATE AND ORIGINAL SEAL AND SIGNATURE OF THE PROFESSIONAL ENGINEER THAT PREPARED IT.
- PRODUCT MANUFACTURER'S LABEL SHALL BE LOCATED ON A READILY VISIBLE LOCATION AT PRODUCT IN ACCORDANCE WITH SECTION 1703.5 OF FLORIDA BUILDING CODE. ONE LABEL SHALL BE PLACED FOR EVERY OPENING.

**A.S.D. DESIGN PRESSURE RATING:
+150, -150 psf.**

**THIS DRAWING SHALL ONLY BE USED TO
OBTAIN PERMITS IN THE STATE OF FLORIDA**

PRODUCT RENEWED
as complying with the Florida
Building Code
NOA-No. 26-0304.02
Expiration Date 05/06/2031
By [Signature]
Miami-Dade Product Control

PRODUCT REVISED
as complying with the Florida
Building Code
NOA-No. 25-0805.08
Expiration Date 05/06/2026
By [Signature]
Miami-Dade Product Control



FLORIDA BUILDING CODE (HIGH VELOCITY HURRICANE ZONE)

MODEL D-HV-9 HORIZONTAL LOUVER SYSTEM (EL-4) AS FRONT DECORATIVE COVER TO APPROVED MODEL WDV-130 VERTICAL L.M. IMPACT RESISTANT ALUM. LOUVER SYSTEM

S&P AIR CONTROL, LLC.
1100 N.W. 37th St. #107 HARTFORD, CT 06108
SHANNON, CT 06489
PHONE: (423)898-7715 FAX: (423)898-6629

TILECO INC.
92025 TILECO, INC.
TULLIT TESTING & ENGINEERING COMPANY
6535 N.W. 36th St., Ste. 200, VERONA, FLORIDA 33486
Phone: (305)977-0000 FAX: (305)977-1131
WALTER A. TULLIT JR., P.E.
FLORIDA Lic. # 44167

W.H. DRAWN BY: 7/7/2025
DATE: 25-062
DRAWING NO. 25-062
SHEET 1 OF 11

P.E. SEAL/SIGNATURE/DATE
7/7/2025

MIAMI DADE COUNTY

BILL OF MATERIALS

COMPONENT #	DESCRIPTION	MATERIAL	NOTES	USE AT MODEL	
				REAR	FRONT
①	HEAD	6063-T5 ALUMINUM ALLOY/TEMPER	CONTINUOUS	WDV-130	-
②	SILL	6063-T5 ALUMINUM ALLOY/TEMPER	CONTINUOUS USE W/ ⑧	WDV-130	-
③	SIDE JAMB	6063-T5 ALUMINUM ALLOY/TEMPER	CONTINUOUS	WDV-130	-
④	BIRD SCREEN FRAME	6063-T5 ALUMINUM ALLOY/TEMPER	OPTIONAL	WDV-130	-
⑤	BLADE	6063-T5 ALUMINUM ALLOY/TEMPER	-	WDV-130	-
⑥	BLADE BRACE	6063-T5 ALUMINUM ALLOY/TEMPER	2" LONG	WDV-130	-
⑥A	BLADE BRACE STRIP	6063-T5 ALUMINUM ALLOY/TEMPER	CONTINUOUS ACROSS UNIT	WDV-130	EL-4
⑦	OPTIONAL BIRD SCREEN	3/4" x 0.051" FLATTENED ALUMINUM	OPTIONAL	WDV-130	-
⑧	SILL BAFFLE	3003 H14 ALUMINUM ALLOY/HARDNESS	CONTINUOUS USE W/ ②	WDV-130	-
⑨	FLANGE	6063-T5 ALUMINUM ALLOY/TEMPER	OPTIONAL	WDV-130	-
⑩	ANCHOR	3/8 ø (SEE NOTE 4/1)	SEE DETAILS (SHEETS 6 THRU 9)	WDV-130	-
⑪	HEAD/SILL MOUNTING ANGLE, JAMB BLANK-OFF	6061-T6 ALUMINUM ALLOY/TEMPER	CONTINUOUS	WDV-130	-
⑫	#8 x 1-1/2" HEX HEAD, ZINC PLATED S.M.S.	MIN. Fy=90 ksi	USE AT FRAME ASSEMBLY (SILL/JAMB & HEADER/JAMB)	WDV-130	EL-4
⑬	#10 x 1-1/2" HEX HEAD, ZINC PLATED S.M.S.	-	USE (2) FOR BLADE ⑤ ATTACHMENT EA. END TO ① & ②	WDV-130	-
⑭	1/4 -14 x 1-1/2" HEX HEAD, ZINC PLATED TEK SCREW	-	ANGLE CLIP ATTACHMENT TO HEAD & SILL	WDV-130	-
⑮	#10 x 3/4" HEX HEAD, ZINC PLATED TEK SCREW	-	BLADE BRACE ATTACHMENT & ⑪ ATTACHMENT	WDV-130	-
⑯	4" HEAD	6063-T5 ALUMINUM ALLOY/TEMPER	-	-	EL-4
⑰	4" SILL	6063-T5 ALUMINUM ALLOY/TEMPER	-	-	-
⑱	4" SIDE JAMB (EXTERIOR)	6063-T5 ALUMINUM ALLOY/TEMPER	-	-	-
⑲	4" BLADE	6063-T5 ALUMINUM ALLOY/TEMPER	-	-	-
⑳	4" LONG BLADE BRACE	6063-T5 ALUMINUM ALLOY/TEMPER	-	-	-
㉑	#8 x 1-1/2" HEX HEAD, S.M.S.	ZINC PLATED	USE (2) FOR BLADE ⑱ ATTACHMENT EACH ENDS TO ⑱, USE (3) FOR ⑱ CONNECTION TO ⑱ & USE (2) FOR ⑱ CONNECTION TO ⑱	-	EL-4
㉒	WALL EXTENSION ANGLE	ASTM A36 STEEL, GALVANIZED OR RED/BLACK OXIDE PAINTED	4" X 4" X 1/4" ANGLE	WDV-130	-
㉓	#10 X 1" HEX HEAD ZINC PLATED, S.M.S.	MIN. Fy=90 ksi STEEL	USE AT JAMBS CONNECTIONS ⑱ & ③ TO CREATE D-HV-9 SYSTEM	WDV-130	EL-4

PRODUCT RENEWED
 as complying with the Florida
 Building Code
 NOA-No. 26-0304.02
 Expiration Date 05/06/2031
 By *[Signature]*
 Miami-Dade Product Control

PRODUCT REVISED
 as complying with the Florida
 Building Code
 NOA-No. 25-0805.08
 Expiration Date 05/06/2026
 By *[Signature]*
 Miami-Dade Product Control

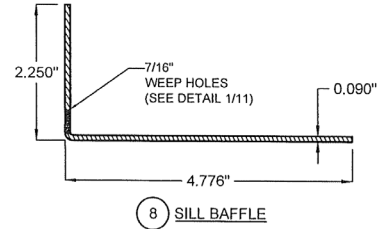
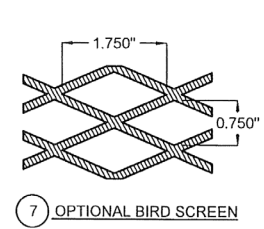
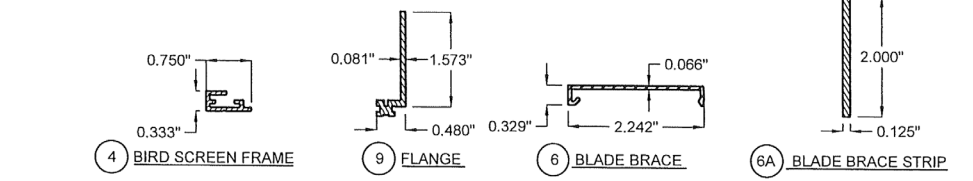
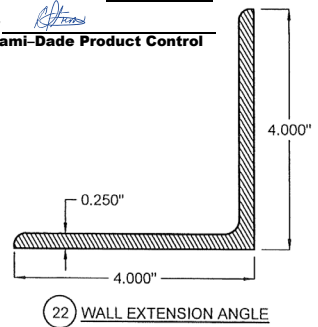
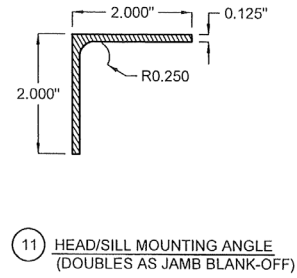
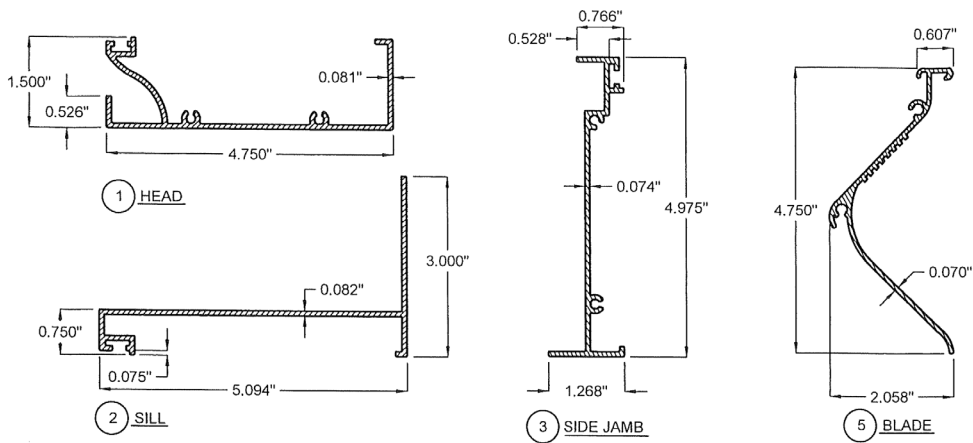
P.E. SEAL/SIGNATURE/DATE

FLORIDA BUILDING CODE (HIGH VELOCITY HURRICANE ZONE)

MODEL D-HV-9 HORIZONTAL LOUVER SYSTEM (EL-4) AS FRONT DECORATIVE COVER TO APPROVED MODEL WDV-130 VERTICAL L.W. IMPACT RESISTANT ALUM. LOUVER SYSTEM

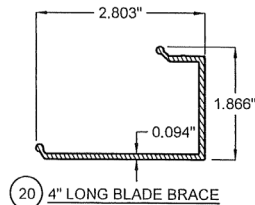
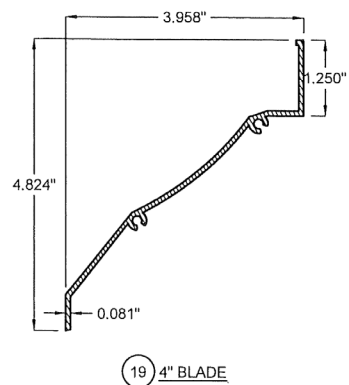
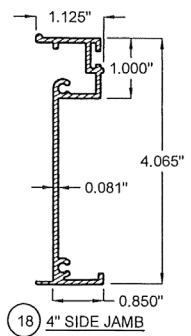
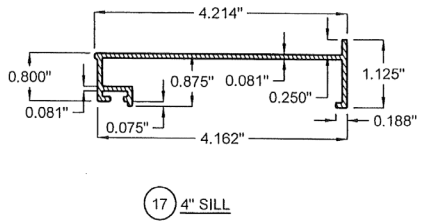
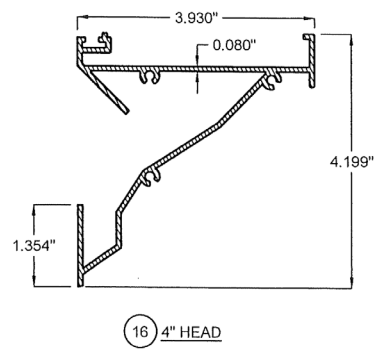
<p>W.H. DRAWN BY: 7/7/2023</p> <p>DATE: 25-062</p> <p>S&P AIR CONTROL, LLC. 3005 SOUTH HICKORY ST., 159 GEMO DRIVE CHARLOTTE, NC 28217, 1500 W. 10TH AVE., SUITE 4 PHONE: (703) 988-7715 FAX: (435) 888-6825</p>	<table border="1" style="width: 100%; border-collapse: collapse;"> <tr> <th>REV. NO.</th> <th>DATE</th> <th>REV. BY</th> <th>DESCRIPTION</th> </tr> <tr> <td>1</td> <td>03-31-07</td> <td></td> <td></td> </tr> <tr> <td>2</td> <td>7/7/2023</td> <td></td> <td></td> </tr> <tr> <td>3</td> <td></td> <td></td> <td></td> </tr> </table>	REV. NO.	DATE	REV. BY	DESCRIPTION	1	03-31-07			2	7/7/2023			3			
REV. NO.	DATE	REV. BY	DESCRIPTION														
1	03-31-07																
2	7/7/2023																
3																	

TILTECO INC.
 TILT-TESTING & ENGINEERING COMPANY
 8355 Phoenicia Blvd., Suite 100, Fort Lauderdale, FL 33324
 Phone: (954) 381-1500 Fax: (954) 381-1531
 WALTER A. COOPER, P.E.
 Florida Lic. # 44167



COMPONENTS: WVD-130 SYSTEM
1/2"=0'-1"

PRODUCT REVISED
as complying with the Florida Building Code
NOA-No. **25-0805.08**
Expiration Date **05/06/2026**
By *[Signature]*
Miami-Dade Product Control



COMPONENTS: DECORATIVE EL-4 SYSTEM
1/2"=0'-1"

PRODUCT RENEWED
as complying with the Florida Building Code
NOA-No. **26-0304.02**
Expiration Date **05/06/2031**
By *[Signature]*
Miami-Dade Product Control

FLORIDA BUILDING CODE (HIGH VELOCITY HURRICANE ZONE)
MODEL D-W-9 HORIZONTAL LOUVER SYSTEM (EL-4) AS FRONT DECORATIVE COVER TO APPROVED MODEL WVD-130 VERTICAL L.I.M. IMPACT RESISTANT ALUM. LOUVER SYSTEM

W.H. DRAWN BY: **7/7/2025**
DATE: **25-062**
DRAWING NO. **3** OF **11**
SHEET

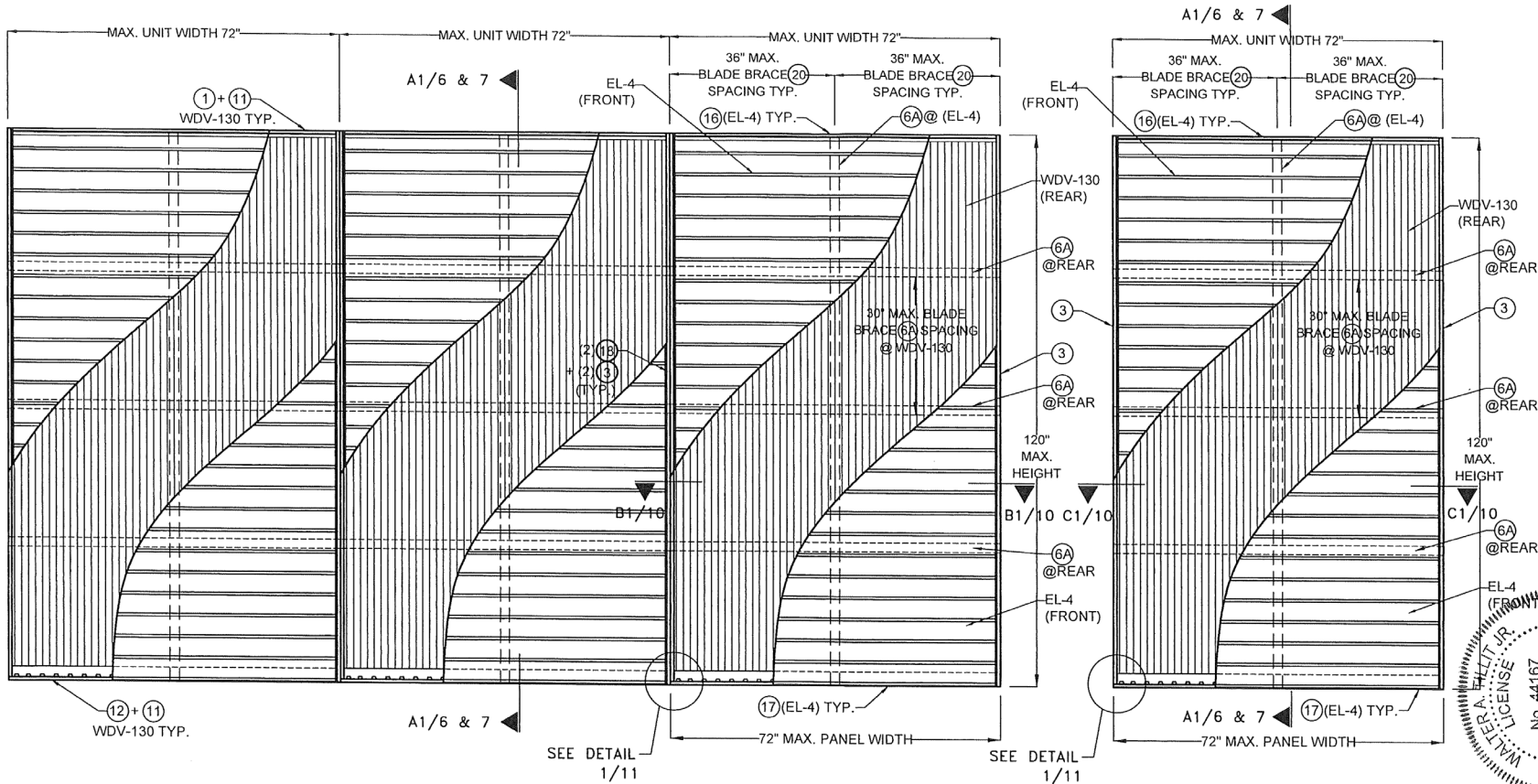
S&P AIR CONTROL, LLC.
3005 SOUTH HICKORY ST.
MIAMI, FL 33133
PHONE: (407)988-7715 FAX: (407)988-6629

2025 TILTECO, INC.
TILTECO INC.
SPLIT TESTING & ENGINEERING COMPANY
4331 W. 130th Ave., Suite 100, Miramar, FL 33146
Phone: (305)981-1330 Fax: (305)981-1531
WALTER A. TILLIT, JR., P.E.
FLORIDA Lic. # 44167

STATE OF FLORIDA
WALTER A. TILLIT, JR.
LICENSE No. 44167
PROFESSIONAL ENGINEER

7/7/2025
P.E. SEAL/SIGNATURE/DATE

MIAMI DADE COUNTY



EXTERIOR ELEVATION MULTIPLE UNITS W/ (6A) BLADE BRACE
(HORIZONTAL © WDV-130 & VERTICAL © EL-4)

EXTERIOR ELEVATION SINGLE UNIT W/ (6A) BLADE BRACE
(HORIZONTAL © WDV-130 & VERTICAL © EL-4)

PRODUCT RENEWED
as complying with the Florida
Building Code
NOA-No. 26-0304.02
Expiration Date 05/06/2031
By *[Signature]*
Miami-Dade Product Control

PRODUCT REVISED
as complying with the Florida
Building Code
NOA-No. 25-0805.08
Expiration Date 05/06/2026
By *[Signature]*
Miami-Dade Product Control

FLORIDA BUILDING CODE (HIGH VELOCITY HURRICANE ZONE)

MODEL D-HY-3 HORIZONTAL LOWER SYSTEM (EL-4) AS FRONT DECORATIVE COVER TO APPROVED MODEL WDV-130 VERTICAL L.W. IMPACT RESISTANT ALUM. LOWER SYSTEM

S&P AIR CONTROL, LLC.
158 GENCO DRIVE
3005 SOUTH HICKORY ST. MIAMI, FL 33134
PHONE: (423)898-7715 FAX: (423)898-8829

TILECO INC.
TILE TESTING & ENGINEERING COMPANY
4205 Phoenicia Blvd., Suite 100, Ft. Lauderdale, FL 33309
Phone: (954)971-1530 Fax: (954)971-1531

WALTER A. HILIT, JR.
LICENSED PROFESSIONAL ENGINEER
No. 44167

STATE OF FLORIDA
PROFESSIONAL ENGINEER

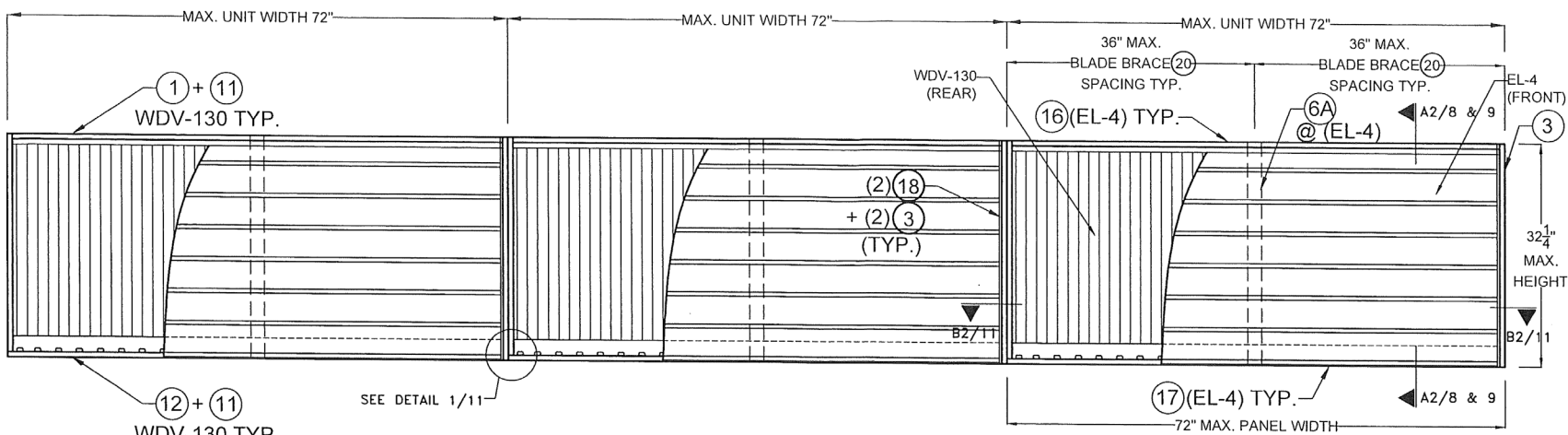
DATE: 7/7/2025
DRAWING BY: W.H.
DATE: 7/7/2025
DRAWING No. 25-062
SHEET 4 OF 11

REVISIONS:

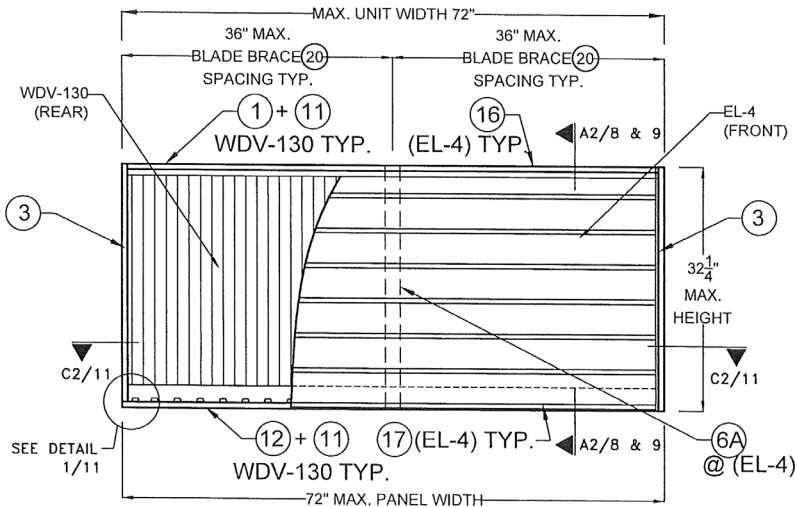
REV. NO.	DATE	DESCRIPTION	BY	CHK
1	03/31/2011			
2	7/7/2025			
3				
4				

MIAMI DADE COUNTY

P.E. SEAL/SIGNATURE/DATE



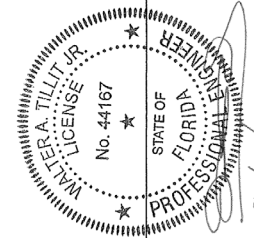
EXTERIOR ELEVATION MULTIPLE UNITS W/O (6A) BLADE BRACE AT WDV-130 SYSTEM
(HORIZONTAL @ WDV-130 & VERTICAL @ EL-4)



EXTERIOR ELEVATION SINGLE UNITS W/O (6A) BLADE BRACE
AT WDV-130 SYSTEM
(HORIZONTAL @ WDV-130 & VERTICAL @ EL-4)

PRODUCT RENEWED
as complying with the Florida
Building Code
NOA-No. 26-0304.02
Expiration Date 05/06/2031
By *[Signature]*
Miami-Dade Product Control

PRODUCT REVISED
as complying with the Florida
Building Code
NOA-No. 25-0805.08
Expiration Date 05/06/2026
By *[Signature]*
Miami-Dade Product Control



FLORIDA BUILDING CODE (HIGH VELOCITY HURRICANE ZONE)

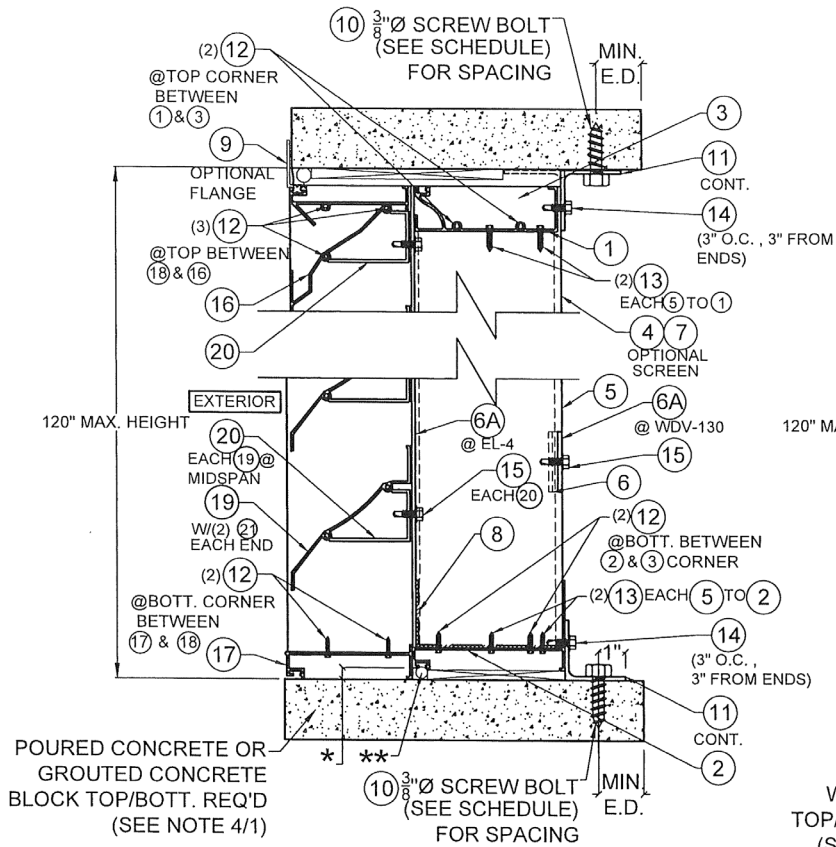
MODEL 11W-9 HORIZONTAL COVER SYSTEM (EL-4) AS FRONT DECORATIVE COVER TO APPROVED MODEL WDV-130 VERTICAL I.M. IMPACT RESISTANT ALUM. LOUVER SYSTEM

©2025 TILTECO, INC.

TILTECO Inc.
TILIT TESTING & ENGINEERING COMPANY
4335 N.W. 36th St., Ste. 303, MIAMI GARDENS, FL 33166
Phone: (305)971-1500 Fax: (305)971-1531
WALTER A. TILLIT JR., P.E.
FLORIDA Lic. # 44167

W.H. DRAWN BY:	7/7/2023 DATE:	25-062 DRAWING No.:	SHEET 5 OF 11
S&P AIR CONTROL, LLC. 158 GEMCO DRIVE HICKORY ST. MIAMI, FL 33144 PHONE: (423)898-7715 FAX: (423)898-8529		REVISIONS	DATE
REV. NO.	DESCRIPTION	DATE	BY
1	05/06/2021	7/7/2023	3

MIAMI DADE COUNTY

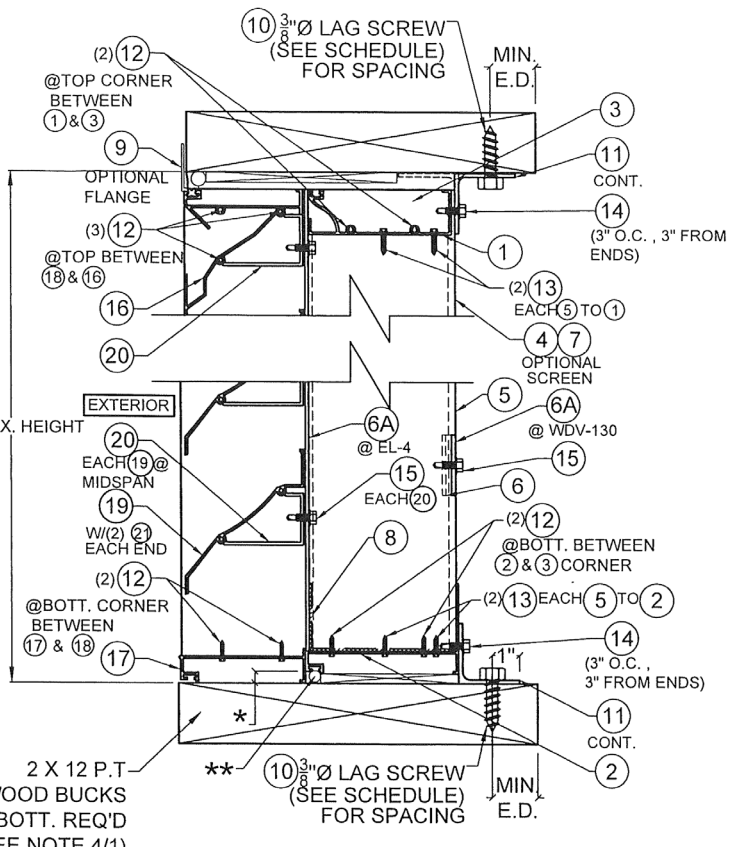


SECTION A1-A1 W/6A

1/4" = 0'-1"

MAX. ANCHOR (10) SPACING SCHEDULE AS PER NOTE 4/1 AT ANGLE (11) TOP & BOTTOM

2 X 12 P.T. WOOD BUCKS TOP/BOTT. REQ'D (SEE NOTE 4/1)



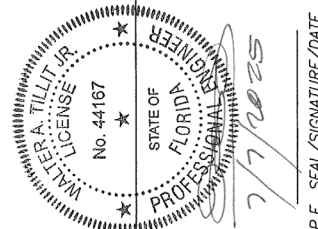
SECTION A1-A1 W/6A

1/4" = 0'-1"

PRODUCT REVISED
as complying with the Florida Building Code
NOA-No. **25-0805.08**
Expiration Date **05/06/2026**
By *[Signature]*
Miami-Dade Product Control

A.S.D. DESIGN LOAD (p.s.f.)	MAX. UNIT HEIGHT (FT)	SUBSTRATE		
		CONCRETE	GROUTED CONCRETE BLOCK	WOOD
≤ 75.0	≤ 5'-0"	6" O.C.	6" O.C.	6" O.C.
	> 5'-0" - 10'-0"	6" O.C.	6" O.C.	3 1/4" O.C.
> 75-150	≤ 5'-0"	6" O.C.	6" O.C.	3 1/4" O.C.
	> 5'-0" - 10'-0"	6" O.C.	4 1/2" O.C.	N/A

*MAX. 3/8" ALLOWABLE SHIM SPACE @ WDV-130 (REQUIRED FOR MOUNTING ANGLE (11) INSTALLATION)
**BACKER ROD & CAULK NOT SUPPLIED BY UNITED ENERTECH



FLORIDA BUILDING CODE (HIGH VELOCITY HURRICANE ZONE)
MODEL D-RV-F-9 HORIZONTAL LLOVER SYSTEM (EL-4) AS FRONT DECORATIVE COVER TO APPROVED MODEL WDV-130 VERTICAL L.I.M. IMPACT RESISTANT ALUM. LOUVER SYSTEM

TILECO INC.
3006 SOUTH HIGHWAY 67
MARIETTA, GA 30067
PHONE: (423) 898-7715 FAX: (423) 898-6623

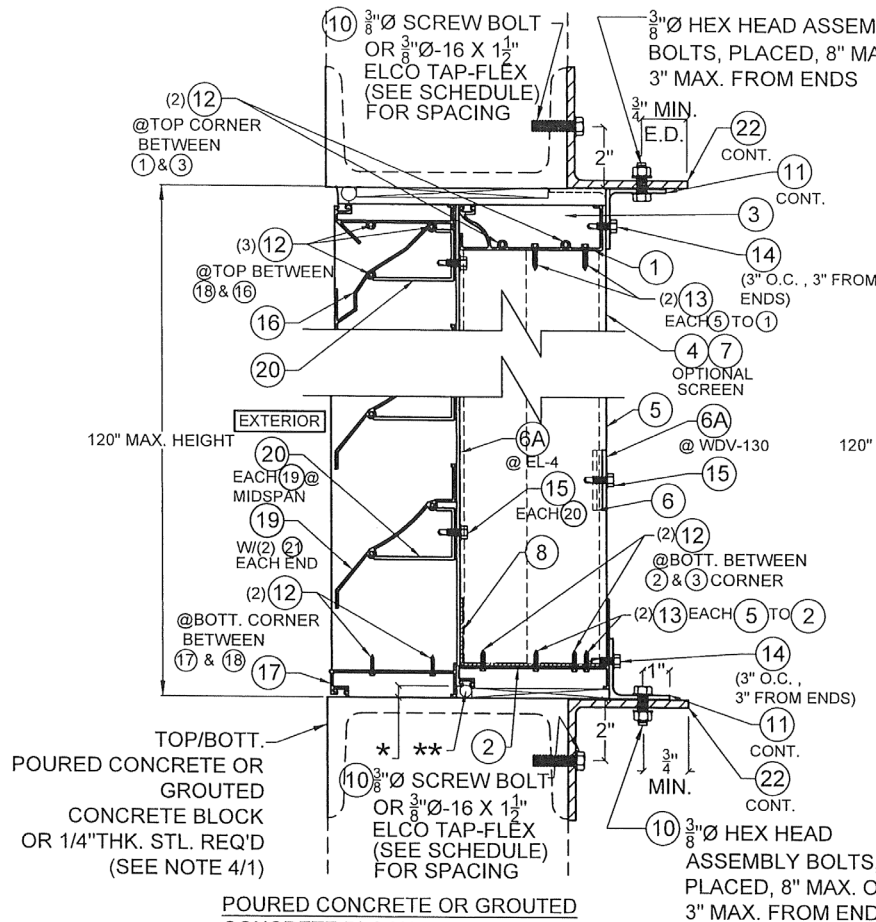
S&P AIR CONTROL, LLC.
3006 SOUTH HIGHWAY 67
MARIETTA, GA 30067
PHONE: (423) 898-7715 FAX: (423) 898-6623

WALTER A. TILLITT, JR., P.E.
FLORIDA Lic. # 44167

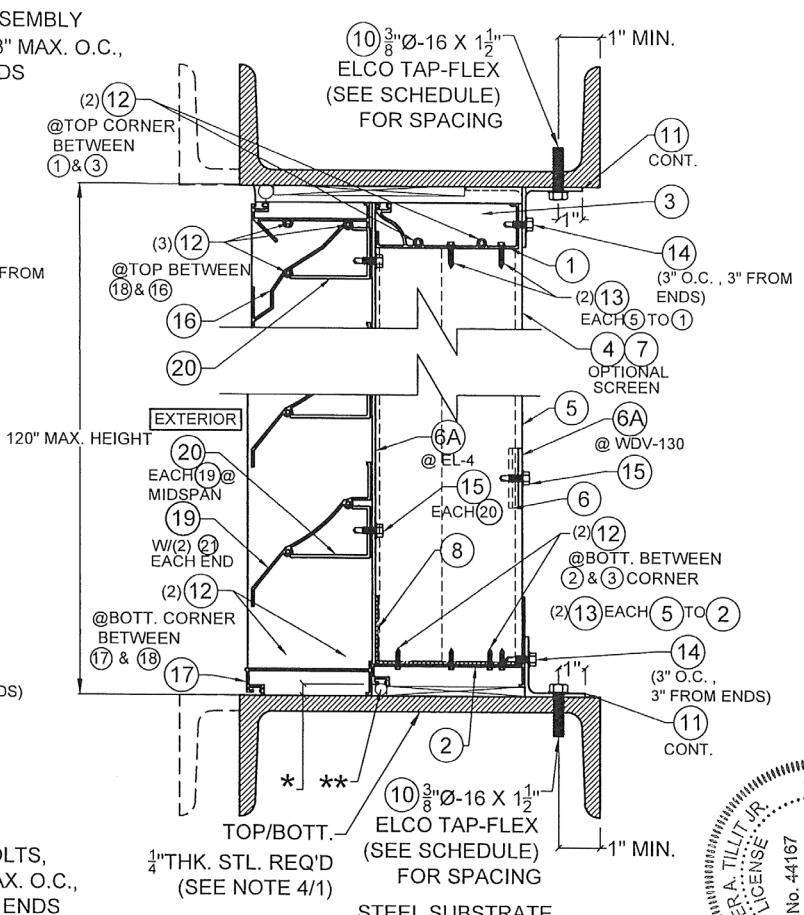
REV. NO.	DESCRIPTION	DATE
1	ADD 25-071	7/7/2025
2		

W.H. DRAWING BY: **7/7/2025**
DATE: **25-062**
DRAWING No. **25-062**
SHEET 6 OF 11

PRODUCT RENEWED
as complying with the Florida Building Code
NOA-No. **26-0304.02**
Expiration Date **05/06/2031**
By *[Signature]*
Miami-Dade Product Control



SECTION A1-A1 W/ (6A)
1/4" = 0'-1"



SECTION A1-A1 W/ (6A)
1/4" = 0'-1"

MAX. ANCHOR (10) SPACING SCHEDULE AS PER NOTE 4/1 AT ANGLE (22) OR ANGLE (11) SEE SECTIONS A1-A1 TOP & BOTTOM

A.S.D. DESIGN LOAD (p.s.f.)	MAX. UNIT HEIGHT (FT)	SUBSTRATE	
		POURED CONCRETE OR GROUTED CONCRETE BLOCK	STEEL
≤ 75.0	≤ 5'-0"	6" O.C.	6" O.C.
	> 5'-0" - 10'-0"	6" O.C.	6" O.C.
> 75-150	≤ 5'-0"	6" O.C.	6" O.C.
	> 5'-0" - 10'-0"	6" O.C.	6" O.C.

PRODUCT REVISED
as complying with the Florida Building Code
NOA-No. **25-0805.08**
Expiration Date **05/06/2026**
By *[Signature]*
Miami-Dade Product Control

*MAX. 3/8" ALLOWABLE SHIM SPACE @ WDV-130 (REQUIRED FOR MOUNTING ANGLE (11) INSTALLATION)
**BACKER ROD & CAULK NOT SUPPLIED BY UNITED ENERTECH

PRODUCT RENEWED
as complying with the Florida Building Code
NOA-No. **26-0304.02**
Expiration Date **05/06/2031**
By *[Signature]*
Miami-Dade Product Control

FLORIDA BUILDING CODE (HIGH VELOCITY HURRICANE ZONE)
MODEL D-WF-P HORIZONTAL LOUVER SYSTEM (EL-4) AS FRONT DECORATIVE COVER TO APPROVED MODEL WDV-130 VERTICAL LIM. IMPACT RESISTANT ALUM. LOUVER SYSTEM

S&P AIR CONTROL, LLC.
3005 SOUTH HICKORY ST. #159, GENCO DRIVE
CORAL GABLES, FL 33134
PHONE: (433)988-7715 FAX: (433)988-6629

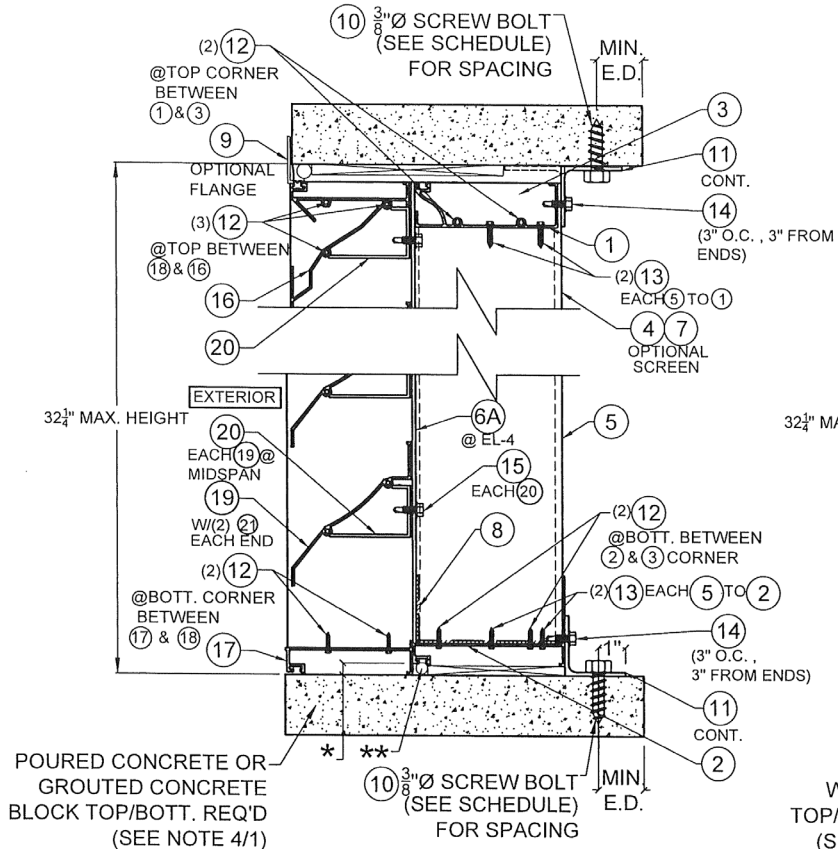
TILECO INC.
TILT TESTING & ENGINEERING COMPANY
6333 N.W. 18th St., Suite 200, Fort Lauderdale, FL 33309
Phone: (561)971-1500 Fax: (561)971-1531
WALTER A. TILLIT JR., P.E.
FLORIDA Lic. # 44167

92025 TILECO, INC.

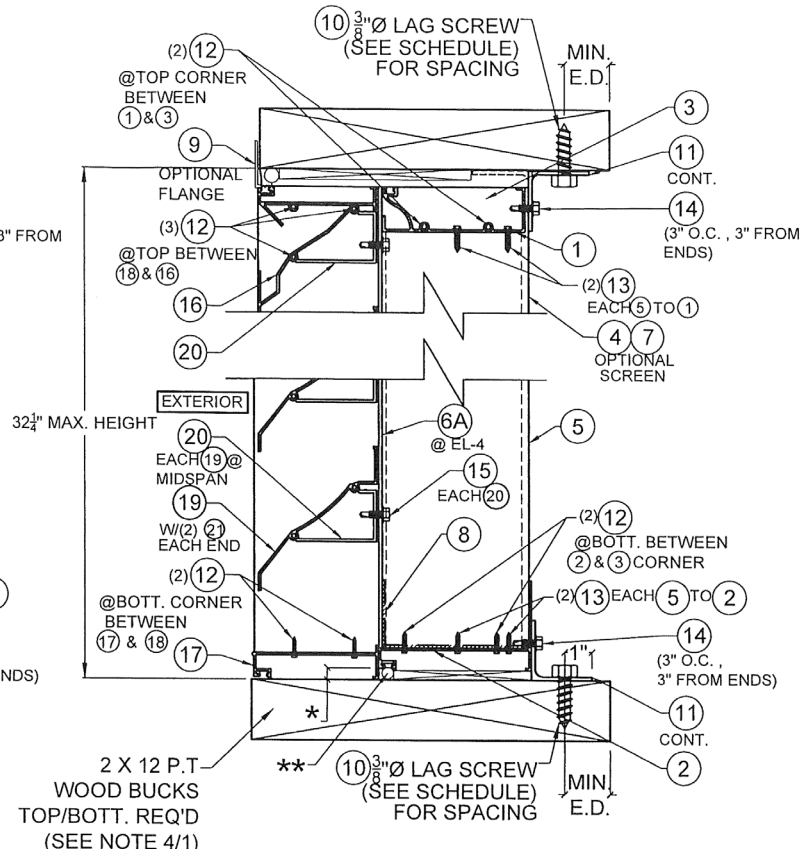
W.H. DRAWN BY: **7/7/2025**
DATE: **25-062**
DRAWING No.
SHEET 7 OF 11

REV. NO.	DATE	DESCRIPTION
1	04/23/2021	
2	07/23/25	

STATE OF FLORIDA
PROFESSIONAL ENGINEER
WALTER A. TILLIT JR.
LICENSE No. 44167
[Signature]
7/7/2025
P.E. SEAL/SIGNATURE/DATE



CONCRETE OR GROUTED CONCRETE BLOCK SUBSTRATE
SECTION A2-A2 W/O (6A) AT WDV-130 SYSTEM
 1/4" = 0' - 1"



WOOD SUBSTRATE
SECTION A2-A2 W/O (6A) AT WDV-130 SYSTEM
 1/4" = 0' - 1"

MAX. ANCHOR (10) SPACING SCHEDULE AS PER
 NOTE 4/1 AT ANGLE (11) TOP & BOTTOM

PRODUCT REVISED
 as complying with the Florida
 Building Code
 NOA-No. **25-0805.08**
 Expiration Date **05/06/2026**
 By *[Signature]*
 Miami-Dade Product Control

A.S.D. DESIGN LOAD (p.s.f.)	MAX. UNIT HEIGHT (FT)	SUBSTRATE		
		CONCRETE	GROUTED CONCRETE BLOCK	WOOD
≤ 75.0	≤ 32 1/4"	6" O.C.	6" O.C.	6" O.C.
>75-150	≤ 32 1/4"	6" O.C.	6" O.C.	3 1/4" O.C.

*MAX. 3/8" ALLOWABLE SHIM SPACE @ WDV-130
 (REQUIRED FOR MOUNTING ANGLE (11) INSTALLATION)
 **BACKER ROD & CAULK NOT SUPPLIED BY
 UNITED ENERTECH

PRODUCT RENEWED
 as complying with the Florida
 Building Code
 NOA-No. **26-0304.02**
 Expiration Date **05/06/2031**
 By *[Signature]*
 Miami-Dade Product Control

FLORIDA BUILDING CODE (HIGH VELOCITY HURRICANE ZONE)

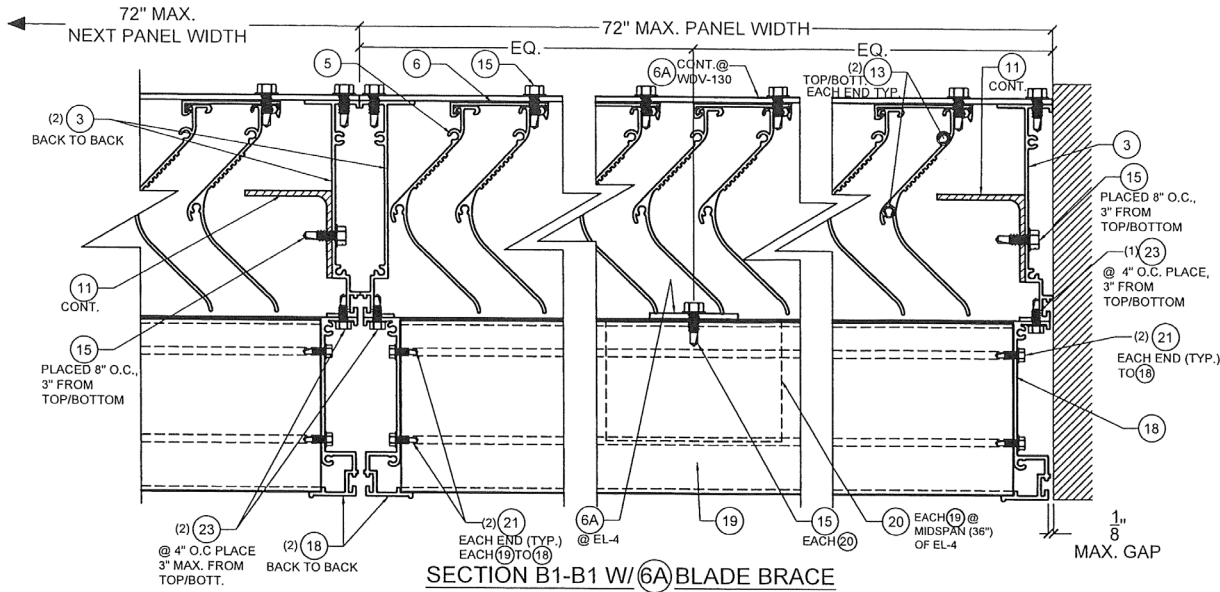
W.H. DRAWING BY: **7/7/2025** DATE: **25-062** DRAWING No. **25-062** SHEET 8 OF 11

MODEL D-HV-9 HORIZONTAL LLOVER SYSTEM (CL-4) AS FRONT DECORATIVE COVER TO APPROVED MODEL WDV-130 VERTICAL L.M. IMPACT RESISTANT ALUM. LLOVER SYSTEM

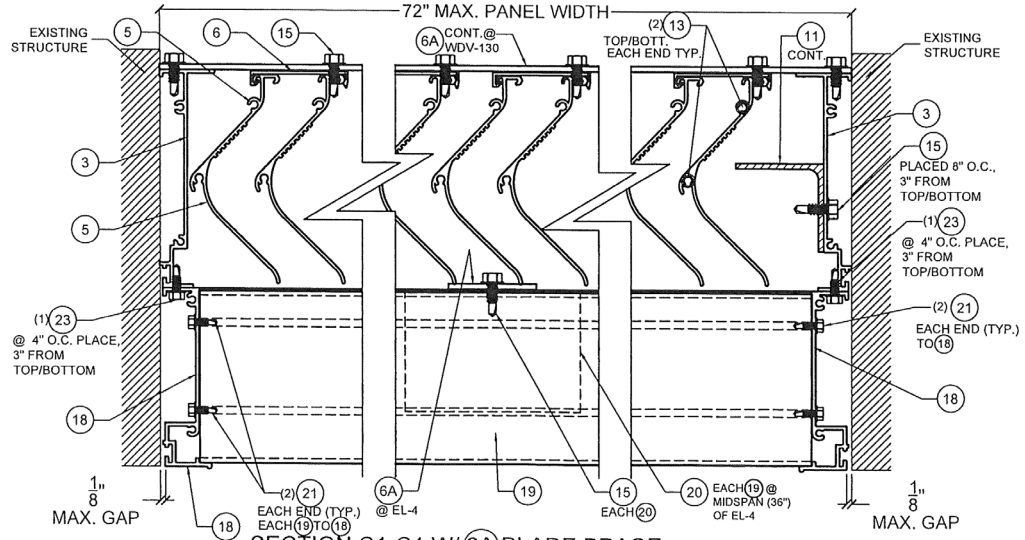
S&P AIR CONTROL, LLC.
 159 GEMCO DRIVE
 3006 SOUTH HICKORY ST.
 GAITHERSBURG, MD 20878
 PHONE: (423)988-7715 FAX: (423)988-6633

TILECO INC.
 TILE TESTING & ENGINEERING COMPANY
 4225 Phoebe Ln. #100
 Phoebe, FL 32069
 Phone: (904)971-8330 Fax: (904)971-5311
 WALTER A. TILLIT JR. P.E.
 FLORIDA Lic. # 44167

STATE OF FLORIDA
 PROFESSIONAL ENGINEER
 WALTER A. TILLIT JR.
 No. 44167
 P.E. SEAL/SIGNATURE/DATE
[Signature]
 7/7/2025



SECTION B1-B1 W/ (6A) BLADE BRACE
(HORIZONTAL @ WDV-130 & VERTICAL @ EL-4)
 N.T.S



SECTION C1-C1 W/ (6A) BLADE BRACE
(HORIZONTAL @ WDV-130 & VERTICAL @ EL-4)
 N.T.S

PRODUCT RENEWED
 as complying with the Florida
 Building Code
 NOA-No. 26-0304.02

Expiration Date 05/06/2031

By [Signature]
 Miami-Dade Product Control

PRODUCT REVISED
 as complying with the Florida
 Building Code
 NOA-No. 25-0805.08

Expiration Date 05/06/2026

By [Signature]
 Miami-Dade Product Control

FLORIDA BUILDING CODE (HIGH VELOCITY HURRICANE ZONE)
 MODEL D-RP-3 HORIZONTAL LOWER SYSTEM (EL-4) AS
 FRONT DECORATIVE COVER TO APPROVED MODEL WDV-130
 VERTICAL L.M. IMPACT RESISTANT ALUM. LOWER SYSTEM

W.H. DRAWN BY: 7/7/2025
 DATE: 25-062
 DRAWING No. SHEET 10 OF 11

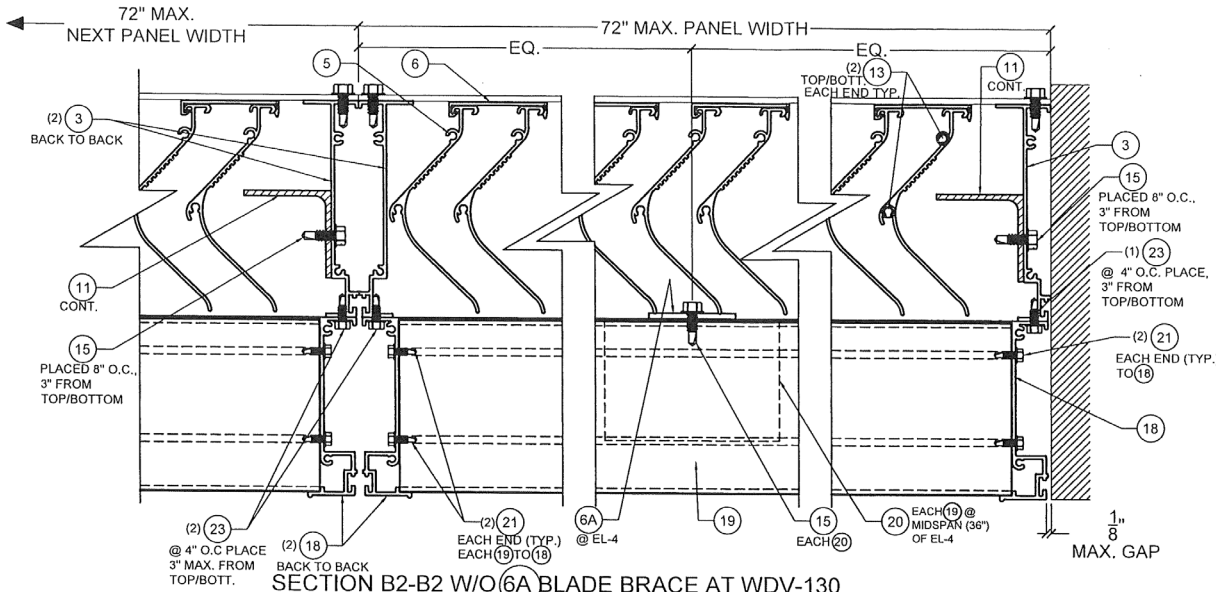
S&P AIR CONTROL, LLC.
 3005 SOUTH HICKORY ST. #59 GEROV DRIVE
 MIAMI, FL 33133 MIAMI, FL 33144
 PHONE: (407) 871-1301 FAX: (407) 871-1311
 PHONE: (407) 898-7715 FAX: (407) 898-6629

TILECO INC.
 TILE TESTING & ENGINEERING COMPANY
 6333 N.W. 36th St. 350 VERDE WALKWAY, SUITE 3018
 MIAMI, FL 33147
 Phone: (305) 871-1301 Fax: (305) 871-1311
 WALTER A. TILLIT Jr., P.E.
 FLORIDA Lic. # 44167

FLORIDA PROFESSIONAL ENGINEER
 WALTER A. TILLIT JR.
 LICENSE No. 44167

P.E. SEAL/SIGNATURE/DATE
 [Signature] 7/7/2025

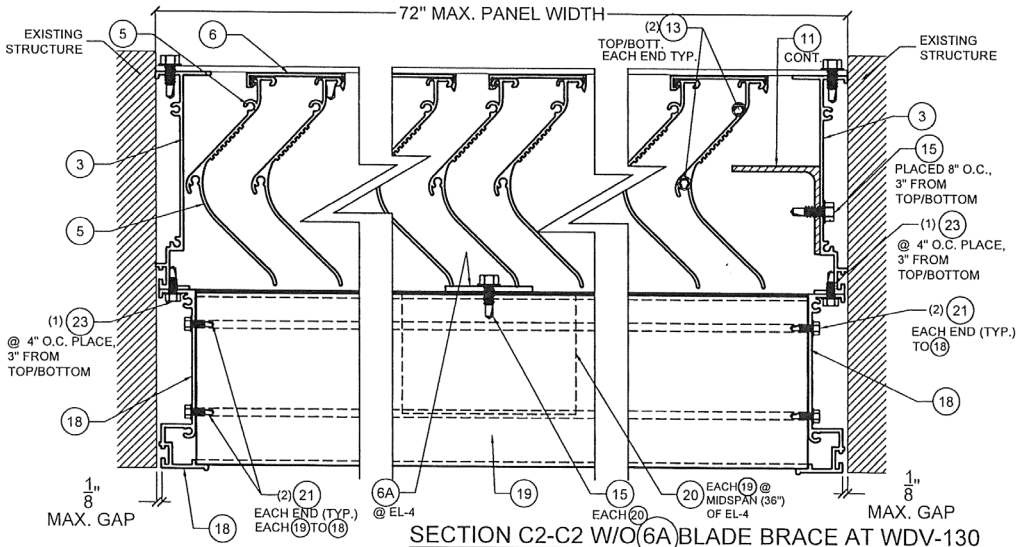
MIAMI DADE COUNTY



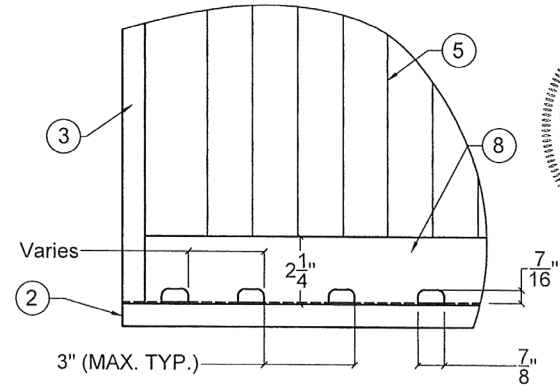
SECTION B2-B2 W/O (6A) BLADE BRACE AT WDV-130
 (HORIZONTAL @ WDV-130 & VERTICAL @ EL-4)
 N.T.S.

PRODUCT RENEWED
 as complying with the Florida
 Building Code
 NOA-No. 26-0304.02
 Expiration Date 05/06/2031
 By *[Signature]*
 Miami-Dade Product Control

PRODUCT REVISED
 as complying with the Florida
 Building Code
 NOA-No. 25-0805.08
 Expiration Date 05/06/2026
 By *[Signature]*
 Miami-Dade Product Control



SECTION C2-C2 W/O (6A) BLADE BRACE AT WDV-130
 (HORIZONTAL @ WDV-130 & VERTICAL @ EL-4)
 N.T.S.



DETAIL 1 (WEEP HOLES/SILL BAFFLE REQ'D @ WDV-130)

FLORIDA BUILDING CODE (HIGH VELOCITY HURRICANE ZONE)

W.H. DRAWN BY: 7/7/2025
 DATE: 25-0662
 DRAWING NO. SHEET 11 OF 11

MODEL D-RY-F HORIZONTAL LOUVER SYSTEM (EL-4) AS FRONT DECORATIVE COVER TO APPROVED MODEL WDV-130 VERTICAL L.I.M. IMPACT RESISTANT ALUM. LOUVER SYSTEM

S&P AIR CONTROL, LLC.
 3006 SOUTH HICKORY ST.
 MIAMI GARDENS, FL 33144
 PHONE: (423)988-7715 FAX: (423)988-6629

REVISIONS:

REV. NO.	DESCRIPTION	DATE	REV. BY	DATE
1	ISSUE	7/7/2025		

TILECO INC.
 TILT TESTING & ENGINEERING COMPANY
 6333 N.W. 14th St., Suite 200, Virginia Beach, VA 23116
 Phone: (526)971-1530 Fax: (526)971-1531
 WALTER A. TILLOT, Jr., P.E.
 FLORIDA Lic. # 44167

STATE OF FLORIDA
 PROFESSIONAL ENGINEER
 No. 44167
 WALTER A. TILLOT, Jr.

MIAMI DADE COUNTY
 P.E. SEAL/SIGNATURE/DATE