



MIAMI-DADE COUNTY
PRODUCT CONTROL SECTION
 11805 SW 26 Street, Room 208
 Miami, Florida 33175-2474
 T (786) 315-2590 F (786) 315-2599
www.miamidade.gov/economy

DEPARTMENT OF REGULATORY AND ECONOMIC RESOURCES (RER)
 BOARD AND CODE ADMINISTRATION DIVISION
NOTICE OF ACCEPTANCE (NOA)

Eurotech Industries, Inc.
4201 NE 12th Terrace
Ft. Lauderdale, FL 33334

SCOPE:

This NOA is being issued under the applicable rules and regulations governing the use of construction materials. The documentation submitted has been reviewed and accepted by Miami-Dade County RER-Product Control Section to be used in Miami-Dade County and other areas where allowed by the Authority Having Jurisdiction (AHJ).

This NOA shall not be valid after the expiration date stated below. The Miami-Dade County Product Control Section (In Miami-Dade County) and/ or the AHJ (in areas other than Miami-Dade County) reserve the right to have this product or material tested for quality assurance purposes. If this product or material fails to perform in the accepted manner, the manufacturer will incur the expense of such testing and the AHJ may immediately revoke, modify, or suspend the use of such product or material within their jurisdiction. RER reserves the right to revoke this acceptance if it is determined by Miami-Dade County Product Control Section that this product or material fails to meet the requirements of the applicable building code.

This product is approved as described herein and has been designed to comply with the Florida Building Code, including the High Velocity Hurricane Zone.

DESCRIPTION: Aluminum Single Hung Window – L.M.I.

APPROVAL DOCUMENT: Drawing No. **W03-53**, titled “Aluminum Single Hung Window (L.M.I.)”, sheets 1 through 8 of 8, dated 07/14/03, with revision **L** dated 06/16/23, prepared by Al-Farooq Corporation, signed and sealed by Jalal Farooq, P.E., bearing the Miami-Dade County Product Control Renewal stamp with the Notice of Acceptance number and expiration date by the Miami-Dade County Product Control Section.

MISSILE IMPACT RATING: Large and Small Missile Impact Resistant

LABELING: Each unit shall bear a permanent label with the manufacturer's name or logo, city, state, model/series, and following statement: "Miami-Dade County Product Control Approved", unless otherwise noted herein.

RENEWAL of this NOA shall be considered after a renewal application has been filed and there has been no change in the applicable building code negatively affecting the performance of this product.

TERMINATION of this NOA will occur after the expiration date or if there has been a revision or change in the materials, use, and/ or manufacture of the product or process. Misuse of this NOA as an endorsement of any product, for sales, advertising or any other purposes shall automatically terminate this NOA. Failure to comply with any section of this NOA shall be cause for termination and removal of NOA.

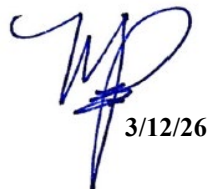
ADVERTISEMENT: The NOA number preceded by the words Miami-Dade County, Florida, and followed by the expiration date may be displayed in advertising literature. If any portion of the NOA is displayed, then it shall be done in its entirety.

INSPECTION: A copy of this entire NOA shall be provided to the user by the manufacturer or its distributors and shall be available for inspection at the job site at the request of the Building Official.

This NOA **renews NOA No. 24-1125.08** and consists of this page 1 and evidence pages E-1, E-2, E-3 and E-4, as well as approval document mentioned above.

The submitted documentation was reviewed by **Manuel Perez, P.E.**




 3/12/26

NOA No. 26-0305.04
Expiration Date: March 05, 2027
Approval Date: March 19, 2026
Page 1

Eurotech Industries, Inc.

NOTICE OF ACCEPTANCE: EVIDENCE SUBMITTED

1. EVIDENCE SUBMITTED UNDER PREVIOUS NOA's

A. DRAWINGS

1. Manufacturer's die drawings and sections.
(Submitted under NOA No. 03-1201.02)
2. Drawing No. **W03-53**, titled "Aluminum Single Hung Window (L.M.I.)", sheets 1 through 8 of 8, dated 07/14/03, with revision **L** dated 06/16/23, prepared by Al-Farooq Corporation, signed and sealed by Jalal Farooq, P.E.
(Submitted under NOA No. 23-0717.13)

B. TESTS

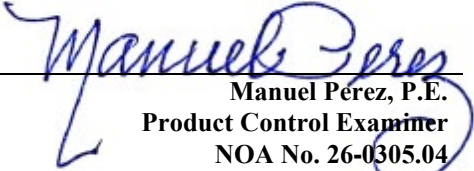
1. Test reports on: 1) Air Infiltration Test, per FBC, TAS 202-94
2) Uniform Static Air Pressure Test, Loading per FBC, TAS 202-94
3) Water Resistance Test, per FBC, TAS 202-94
4) Small Missile Impact Test per FBC, TAS 201-94
5) Cyclic Wind Pressure Loading per FBC, TAS 203-94
6) Forced Entry Test, per FBC 2411 3.2.1 and TAS 202-94
along with marked-up drawings and installation diagram of an aluminum single hung window, prepared by American Test Lab of South Florida, Test Report No. **ATLSF-0527.01-03**, dated 06/12/03, signed and sealed by Henry Hattem, P.E.
(Submitted under NOA No. 03-1201.03)
2. Test reports on: 1) Uniform Static Air Pressure Test, Loading per FBC, TAS 202-94
2) Large Missile Impact Test, per FBC, TAS 201-94
3) Cyclic Wind Pressure Loading, per FBC, TAS 203-94
along with marked-up drawings and installation diagram of an aluminum single hung window, and Laboratory compliance letter, prepared by American Test Lab of South Florida, Test Report No. **ATLSF-1109.01-04**, dated 01/25/05, signed and sealed by William R. Mehner, P.E.
(Submitted under NOA No. 05-0215.04)

C. CALCULATIONS

1. Anchor verification calculations and structural analysis, complying with FBC 6th Edition (2017) and FBC 7th Edition (2020), dated 12/09/20, prepared by Al-Farooq Corporation and signed and sealed by Jalal Farooq, P.E.
(Submitted under NOA No. 20-1216.22)
2. Glazing complies with **ASTM E1300-09**

D. QUALITY ASSURANCE

1. Miami-Dade Department of Regulatory and Economic Resources (RER)


Manuel Pérez, P.E.
Product Control Examiner
NOA No. 26-0305.04
Expiration Date: March 05, 2027
Approval Date: March 19, 2026

Eurotech Industries, Inc.

NOTICE OF ACCEPTANCE: EVIDENCE SUBMITTED

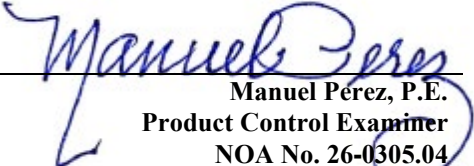
1. EVIDENCE SUBMITTED UNDER PREVIOUS NOA's (CONTINUED)

E. MATERIAL CERTIFICATIONS

1. Notice of Acceptance No. **23-0717.30** issued to **Kuraray America, Inc.** for their “**SentryGlas® (Clear and White) Glass Interlayers**” dated 08/31/23, expiring on 07/04/28.
2. Notice of Acceptance No. **24-0205.08** issued to **Kuraray America, Inc.** for their “**Trosifol® Ultraclear, Clear and Color PVB Glass Interlayers**” dated 03/21/24, expiring on 07/08/29.
3. Notice of Acceptance No. **23-0713.18** issued to **Eastman Chemical Company (MA)** for their “**Saflex® PVB Clear and Colored Interlayers for Laminated Glass**” dated 08/17/23, expiring on 05/21/26.

F. STATEMENTS

1. Statement letter of conformance, complying with **FBC 8th Edition (2023)** and of no financial interest, dated November 19, 2024, issued by Al-Farooq Corporation, signed and sealed by Jalal Farooq, P.E.
(Submitted under NOA No. 23-1125.08)
2. Letter from consultant requesting a 1-year extension to allow time to perform verification test, dated 11/19/24 issued by Al-Farooq Corporation, signed and sealed by Jalal Farooq, P.E.
(Submitted under NOA No. 23-1125.08)
3. Testing agreement letter dated 11/21/24 between American Test Lab of South Florida (ATL) and Eurotech Industries, Inc., issued by ATL and signed by Tony Porcello, President, American Test Lab of South Florida.
(Submitted under NOA No. 23-1125.08)
4. Bill of Sale for **Impact Window Company Acquisition, LLC to Eurotech Industries Inc.**
(Submitted under NOA No. 23-0717.13)
5. Documents for “**Innovative Window Concepts, LLC Purchase of Assets in Replevin**”.
(Submitted under NOA No. 20-0129.11)
6. Proposal No. **14-0732** issued by the Product Control Section, dated July 1, 2014, signed by Manuel Perez, P.E.
(Submitted under NOA No. 14-0903.05)
7. Laboratory compliance letter for Test Report No. **ATLSF-1109.01-04**, issued by American Test Lab of South Florida, dated 01/25/05, signed and sealed by William R. Mehner, P.E. and Henry Hattem, P.E.
(Submitted under NOA No. 05-0215.04)


Manuel Perez, P.E.
Product Control Examiner
NOA No. 26-0305.04

Expiration Date: March 05, 2027
Approval Date: March 19, 2026

Eurotech Industries, Inc.

NOTICE OF ACCEPTANCE: EVIDENCE SUBMITTED

1. EVIDENCE SUBMITTED UNDER PREVIOUS NOA's (CONTINUED)

G. OTHERS

1. Notice of Acceptance No. **23-0717.13**, issued to Eurotech Industries, Inc., for their Aluminum Single Hung Window – L.M.I., approved on 11/23/23 and expiring on 03/05/25.
2. This is a one-year approval, subjected to successful verification test, the final approval will be issued for a total of 5 years.

2. NEW EVIDENCE SUBMITTED

A. DRAWINGS

1. None.

B. TESTS

1. None.

C. CALCULATIONS

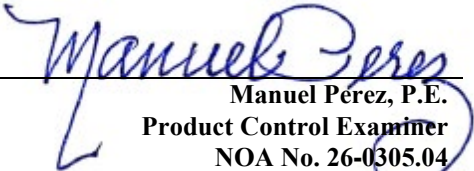
1. None.

D. QUALITY ASSURANCE

1. Miami-Dade Department of Regulatory and Economic Resources (RER)

E. MATERIAL CERTIFICATIONS

1. Notice of Acceptance No. **23-0717.30** issued to **Kuraray America, Inc.** for their “**SentryGlas® (Clear and White) Glass Interlayers**” dated 08/31/23, expiring on 07/04/28.
2. Notice of Acceptance No. **24-0205.08** issued to **Kuraray America, Inc.** for their “**Trosifol® Ultraclear, Clear and Color PVB Glass Interlayers**” dated 03/21/24, expiring on 07/08/29.
3. Notice of Acceptance No. **25-0904.04** issued to **Eastman Chemical Company (MA)** for their “**Saflex PVB Interlayers - Clear and Colored for Glass**” dated 01/29/26, expiring on 05/21/31.


Manuel Pérez, P.E.
Product Control Examiner
NOA No. 26-0305.04
Expiration Date: March 05, 2027
Approval Date: March 19, 2026

Eurotech Industries, Inc.

NOTICE OF ACCEPTANCE: EVIDENCE SUBMITTED

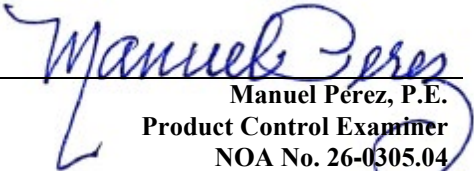
2. NEW EVIDENCE SUBMITTED (CONTINUED)

F. STATEMENTS

1. Email from manufacturer requesting a 1-year extension to allow time to perform verification test, dated 02/27/26, signed by Angelo Petreccia.
2. Testing agreement letter dated 11/21/24 between American Test Lab of South Florida (ATL) and Eurotech Industries, Inc., issued by ATL and signed by Tony Porcello, President, American Test Lab of South Florida.

G. OTHERS

1. Notice of Acceptance No. **24-1125.08**, issued to Eurotech Industries, Inc., for their Aluminum Single Hung Window – L.M.I., approved on 12/19/24 and expiring on 03/05/26.
2. This is a one-year approval, subjected to successful verification test, the final approval will be issued for a total of 5 years.



Manuel Pérez, P.E.
Product Control Examiner
NOA No. 26-0305.04
Expiration Date: March 05, 2027
Approval Date: March 19, 2026

ALUMINUM SINGLE HUNG WINDOW (L.M.I.)

DESIGN LOAD RATINGS FOR THESE WINDOWS TO BE AS PER CHARTS SHOWN ON SHEETS 2 & 3.

APPROVAL APPLIES TO SINGLE UNITS OR SIDE BY SIDE COMBINATIONS OF S.H./S.H. OR SINGLE HUNG WITH OTHER WINDOW TYPES IN MODULES OF TWO OR MORE WINDOWS USING MIAMI-DADE COUNTY APPROVED MULLIONS IN BETWEEN.

LOWER DESIGN PRESSURE FROM WINDOWS OR MULLION APPROVAL WILL APPLY TO ENTIRE SYSTEM.

THIS PRODUCT HAS BEEN DESIGNED AND TESTED TO COMPLY WITH THE REQUIREMENTS OF THE 2020 (7TH EDITION)/2023 (8TH EDITION) FLORIDA BUILDING CODE INCLUDING HIGH VELOCITY HURRICANE ZONE (HVHZ).

1BY OR 2BY WOOD BUCKS & BUCK FASTENERS BY OTHERS, MUST BE DESIGNED AND INSTALLED ADEQUATELY TO TRANSFER APPLIED PRODUCT LOADS TO THE BUILDING STRUCTURE.

ANCHORS SHALL BE CORROSION RESISTANT, SPACED AS SHOWN ON DETAILS AND INSTALLED PER MANUF'S INSTRUCTIONS. SPECIFIED EMBEDMENT TO BASE MATERIAL SHALL BE BEYOND WALL DRESSING OR STUCCO.

A LOAD DURATION INCREASE IS USED IN DESIGN OF ANCHORS INTO WOOD ONLY. ALL SHIMS TO BE HIGH IMPACT, NON-METALLIC AND NON-COMPRESSIBLE.

MATERIALS INCLUDING BUT NOT LIMITED TO STEEL/METAL SCREWS, THAT COME INTO CONTACT WITH OTHER DISSIMILAR MATERIALS SHALL MEET THE REQUIREMENTS OF THE 2020/2023 FLORIDA BLDG. CODE & ADOPTED STANDARDS.

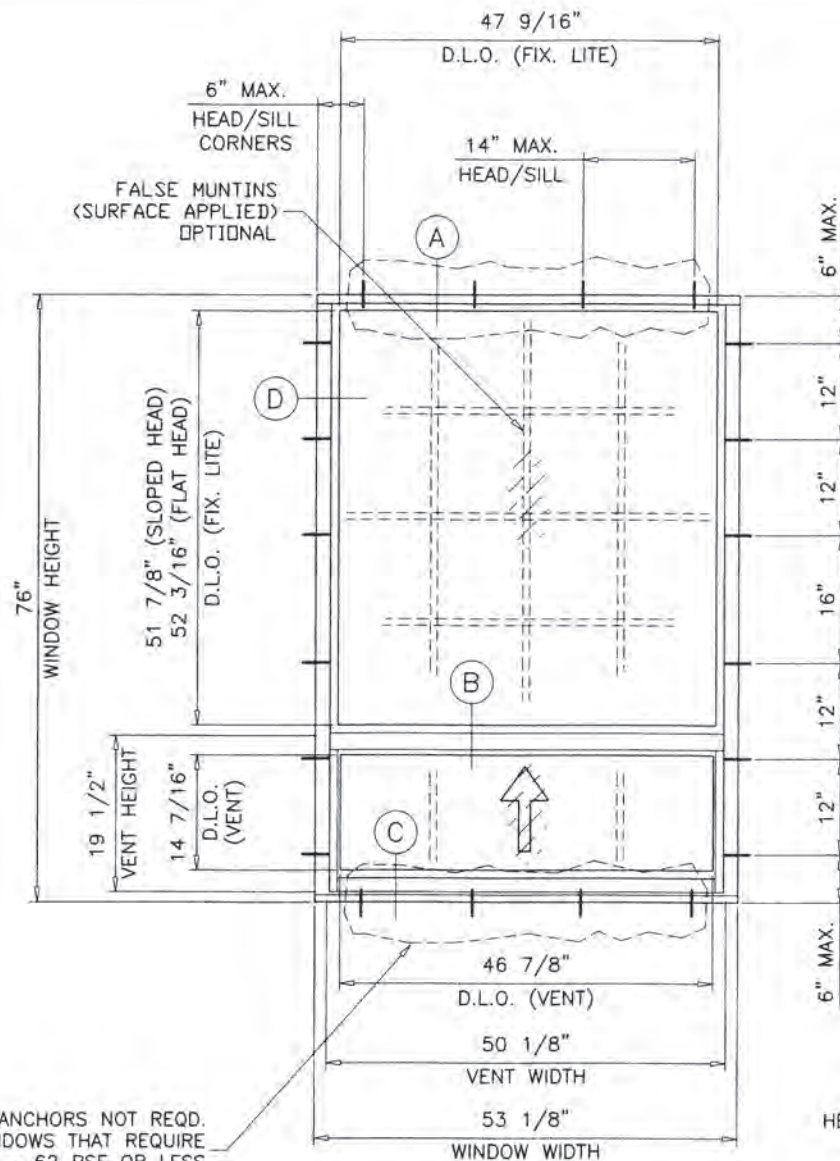
THIS PRODUCT APPROVAL IS GENERIC AND DOES NOT PROVIDE INFORMATION FOR A SITE SPECIFIC PROJECT, i.e. LIFE SAFETY OF THIS PRODUCT, ADEQUACY OF STRUCTURE RECEIVING THIS PRODUCT AND SEALING AROUND OPENING FOR WATER INFILTRATION RESISTANCE ETC.

CONDITIONS NOT SHOWN IN THIS DRAWING ARE TO BE ANALYZED SEPARATELY, AND TO BE REVIEWED BY BUILDING OFFICIAL.

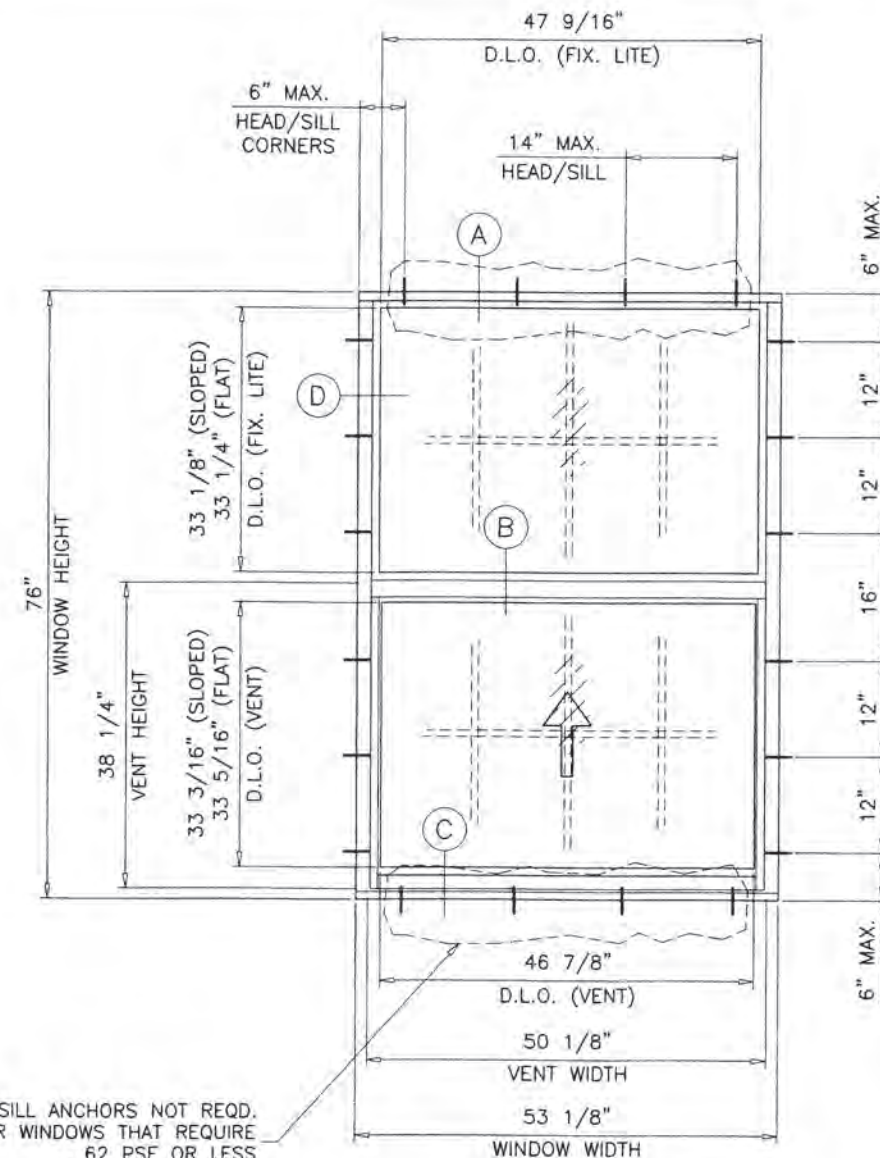
DESIGN LOADS SHOWN ARE BASED ON 'ALLOWABLE STRESS DESIGN (ASD)'.
 THESE WINDOWS ARE RATED FOR LARGE MISSILE IMPACT. SHUTTERS ARE NOT REQUIRED.

HEAD/SILL ANCHORS NOT REQD. FOR WINDOWS THAT REQUIRE 62 PSF OR LESS DESIGN PRESSURES

HEAD/SILL ANCHORS NOT REQD. FOR WINDOWS THAT REQUIRE 62 PSF OR LESS DESIGN PRESSURES



UNEQUAL LITES (ORIEL TYPE)



EQUAL LITES

TYPICAL ELEVATIONS
TESTED UNITS

PRODUCT RENEWED
as complying with the Florida Building Code
NOA-No. **26-0305.04**
Expiration Date: **03/05/2027**
By: *Manuel Perez*
Miami-Dade Product Control

PRODUCT RENEWED
as complying with the Florida Building Code
NOA-No. **24-1125.08**
Expiration Date: **03/05/2026**
By: *Manuel Perez*
Miami-Dade Product Control

PRODUCT REVISED
as complying with the Florida Building Code
NOA-No. **23-0717.13**
Expiration Date: **03/05/2025**
By: *[Signature]*
Miami-Dade Product Control

JUN 27 2023



af c
AL-FAROOQ CORPORATION
 ENGINEERS & PRODUCT DEVELOPMENT
 9360 SUNSET DRIVE, SUITE 220
 MIAMI, FLORIDA 33173 (C.A.N. 3538)
 TEL. (305) 264-8100 FAX. (305) 262-6978
 COMP-ANL\W03-53IWC

ALUMINUM SINGLE HUNG WINDOW (L.M.I.)
Eurotech Industries Inc.
 3801 S.W. 30th Ave, Bay 24
 Hollywood, FL 33312
 Tel. (954) 630-9967 Fax. (954) 630-0217

no	date	description	by
H	03.13.18	UPDATED TO 2017 FBC	MANUF. NAME REV.
I	07.23.18	MANUF. NAME REV.	MANUF. NAME REV.
J	01.23.20	MANUF. NAME REV.	MANUF. NAME REV.
K	11.05.20	UPDATED TO 2020 FBC	MANUF. NAME REV.
L	08.16.23	MANUF. NAME REV.	MANUF. NAME REV.

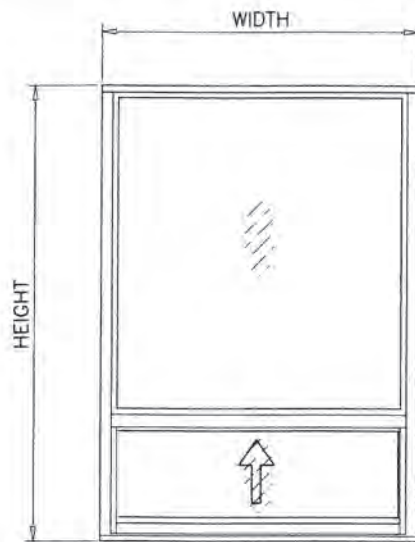
date: 07-14-03
 scale: 1/2" = 1'-0"
 dr. by: TARIO
 chk. by:
 drawing no. **W03-53**
 sheet 1 of 8

UNEQUAL LITES WINDOWS

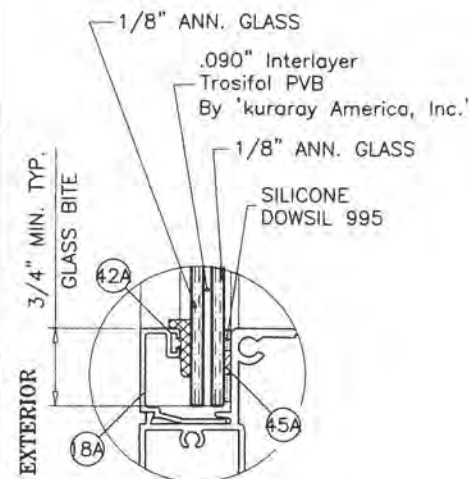
DESIGN LOAD CAPACITY - PSF

FLANGE DIMS.		SERIES 1030		SERIES 1040		SERIES 1041		SERIES 1062	
WIDTH	HEIGHT	EXT.(+)	INT.(-)	EXT.(+)	INT.(-)	EXT.(+)	INT.(-)	EXT.(+)	INT.(-)
19-1/8"	50-5/8" (4)	65.0	72.5	62.0	62.0	62.0	75.0	90.0	130.0
24"		65.0	72.5	62.0	62.0	62.0	75.0	90.0	130.0
26-1/2"		65.0	72.5	62.0	62.0	62.0	75.0	90.0	130.0
32"		65.0	72.5	62.0	62.0	62.0	75.0	90.0	130.0
37"		65.0	72.5	62.0	62.0	62.0	75.0	90.0	130.0
40"		65.0	72.5	62.0	62.0	62.0	75.0	90.0	130.0
48"		65.0	72.5	62.0	62.0	62.0	75.0	90.0	130.0
53-1/8"		65.0	65.2	62.0	62.0	62.0	75.0	90.0	130.0
19-1/8"	63" (5)	65.0	72.5	62.0	62.0	62.0	75.0	90.0	130.0
24"		65.0	72.5	62.0	62.0	62.0	75.0	90.0	130.0
26-1/2"		65.0	72.5	62.0	62.0	62.0	75.0	90.0	130.0
32"		65.0	72.5	62.0	62.0	62.0	75.0	90.0	130.0
37"		65.0	72.5	62.0	62.0	62.0	75.0	90.0	130.0
40"		-	-	62.0	62.0	62.0	75.0	90.0	130.0
48"	-	-	62.0	62.0	62.0	75.0	90.0	130.0	
53-1/8"		-	-	62.0	62.0	62.0	75.0	90.0	129.6
19-1/8"	76" (6)	65.0	72.5	62.0	62.0	62.0	75.0	90.0	130.0
24"		65.0	72.5	62.0	62.0	62.0	75.0	90.0	130.0
26-1/2"		65.0	72.5	62.0	62.0	62.0	75.0	90.0	130.0
32"		-	-	62.0	62.0	62.0	75.0	90.0	130.0
37"		-	-	62.0	62.0	62.0	75.0	90.0	130.0
40"		-	-	62.0	62.0	62.0	75.0	90.0	130.0
48"	-	-	62.0	62.0	62.0	75.0	90.0	130.0	
53-1/8"		-	-	62.0	62.0	62.0	75.0	90.0	128.1
19-1/8"	84" (7)	65.0	72.5	62.0	62.0	62.0	75.0	90.0	130.0
24"		65.0	72.5	62.0	62.0	62.0	75.0	90.0	130.0
26-1/2"		-	-	62.0	62.0	62.0	75.0	90.0	130.0
32"		-	-	62.0	62.0	62.0	75.0	90.0	130.0
37"		-	-	62.0	62.0	62.0	75.0	90.0	130.0
40"		-	-	62.0	62.0	62.0	75.0	90.0	130.0
19-1/8"	96" (8)	65.0	72.5	62.0	62.0	62.0	75.0	90.0	130.0
24"		-	-	62.0	62.0	62.0	75.0	90.0	130.0
26-1/2"		-	-	62.0	62.0	62.0	75.0	90.0	130.0
32"		-	-	62.0	62.0	62.0	75.0	90.0	130.0
37"		-	-	62.0	62.0	62.0	75.0	90.0	130.0

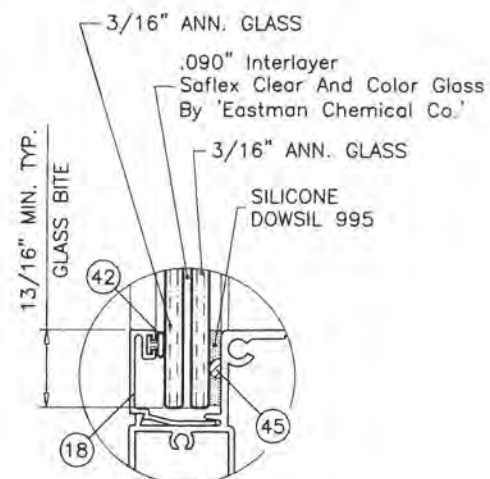
* NO. IN PARENTHESIS INDICATE NO. OF ANCHORS PER JAMB.



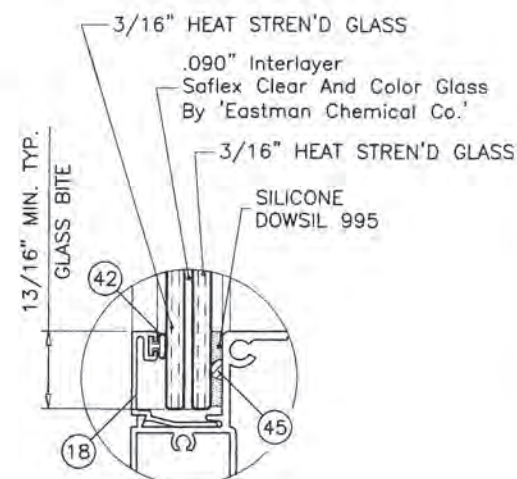
UNEQUAL LITES (ORIEL TYPE)



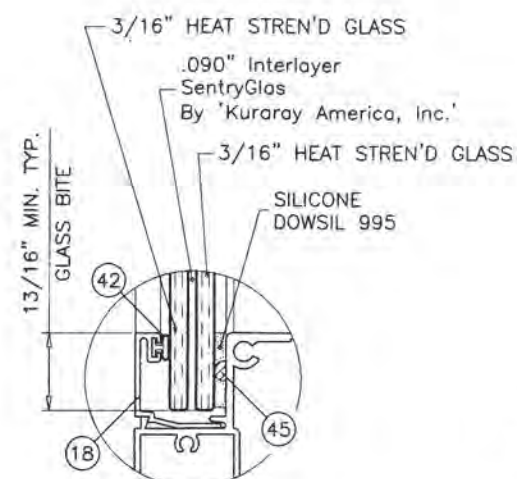
SERIES 1030



SERIES 1040



SERIES 1041



SERIES 1062

GLAZING OPTIONS

NOTE:
GLASS CAPACITIES ON THIS SHEET ARE
BASED ON ASTM E1300-09 (3 SEC. GUSTS)
AND FLORIDA BUILDING COMMISSION
DECLARATORY STATEMENT DCA05-DEC-219

PRODUCT RENEWED
as complying with the Florida
Building Code

NOA-No. **26-0305.04**

Expiration Date: **03/05/2027**

By: *Manuel Feroz*

Miami-Dade Product Control

PRODUCT RENEWED
as complying with the Florida
Building Code

NOA-No. **24-1125.08**

Expiration Date: **03/05/2026**

By: *Manuel Feroz*

Miami-Dade Product Control

PRODUCT REVISED
as complying with the Florida
Building Code

NOA-No. **23-0717.13**

Expiration Date **03/05/2025**

By: *[Signature]*

Miami-Dade Product Control



JUN 27 2024

af c
AL-FAROOQ CORPORATION
ENGINEERS & PRODUCT DEVELOPMENT
9360 SUNSET DRIVE, SUITE 220
MIAMI, FLORIDA 33173 (C.A.N. 3538)
TEL. (305) 264-8100 FAX. (305) 262-6978
COMP-ANL\W03-53IWC

ALUMINUM SINGLE HUNG WINDOW (L.M.I.)
Eurotech Industries Inc.
3801 S.W. 30th Ave, Bay 24
Hollywood, FL 33312
Tel. (954) 630-9967 Fax. (954) 630-0217

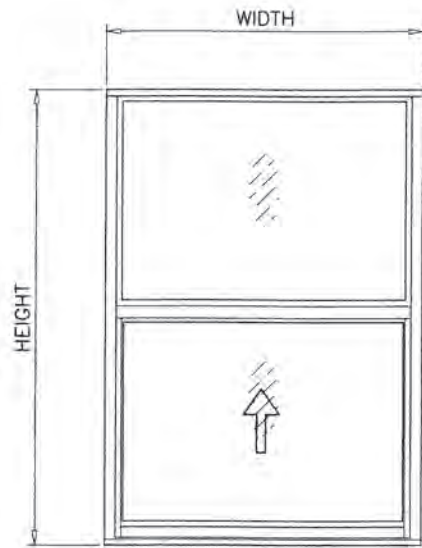
no	date	by	description
H	03.13.18		UPDATED TO 2017 FBC
I	07.23.18		MANUF. NAME REV.
J	01.23.20		MANUF. NAME REV.
K	11.05.20		UPDATED TO 2020 FBC
L	06.16.23		MANUF. NAME REV.

date:	07-14-03
scale:	1/2"=1'-0"
dr. by:	TARIO
chk. by:	

drawing no.
W03-53
sheet 2 of 8

EQUAL LITES WINDOWS									
DESIGN LOAD CAPACITY - PSF									
FLANGE DIMS.		SERIES 1030		SERIES 1040		SERIES 1041		SERIES 1062	
WIDTH	HEIGHT	EXT.(+)	INT.(-)	EXT.(+)	INT.(-)	EXT.(+)	INT.(-)	EXT.(+)	INT.(-)
19-1/8"	26" (2)	65.0	72.5	62.0	62.0	65.0	75.0	90.0	130.0
24"		65.0	72.5	62.0	62.0	65.0	75.0	90.0	130.0
26-1/2"		65.0	72.5	62.0	62.0	65.0	75.0	90.0	130.0
32"		65.0	72.5	62.0	62.0	65.0	75.0	90.0	130.0
37"		65.0	72.5	62.0	62.0	65.0	75.0	90.0	130.0
40"		65.0	72.5	62.0	62.0	65.0	75.0	90.0	130.0
48"		65.0	72.5	62.0	62.0	65.0	75.0	90.0	130.0
53-1/8"	65.0	72.5	62.0	62.0	65.0	75.0	90.0	130.0	
19-1/8"	38-3/8" (3)	65.0	72.5	62.0	62.0	65.0	75.0	90.0	130.0
24"		65.0	72.5	62.0	62.0	65.0	75.0	90.0	130.0
26-1/2"		65.0	72.5	62.0	62.0	65.0	75.0	90.0	130.0
32"		65.0	72.5	62.0	62.0	65.0	75.0	90.0	130.0
37"		65.0	72.5	62.0	62.0	65.0	75.0	90.0	130.0
40"		65.0	72.5	62.0	62.0	65.0	75.0	90.0	130.0
48"		65.0	72.5	62.0	62.0	65.0	75.0	90.0	130.0
53-1/8"	65.0	72.5	62.0	62.0	65.0	75.0	90.0	130.0	
19-1/8"	50-5/8" (4)	65.0	72.5	62.0	62.0	65.0	75.0	90.0	130.0
24"		65.0	72.5	62.0	62.0	65.0	75.0	90.0	130.0
26-1/2"		65.0	72.5	62.0	62.0	65.0	75.0	90.0	130.0
32"		65.0	72.5	62.0	62.0	65.0	75.0	90.0	130.0
37"		65.0	72.5	62.0	62.0	65.0	75.0	90.0	130.0
40"		65.0	72.5	62.0	62.0	65.0	75.0	90.0	130.0
48"		65.0	72.5	62.0	62.0	65.0	75.0	90.0	130.0
53-1/8"	64.4	64.4	62.0	62.0	65.0	75.0	90.0	130.0	
19-1/8"	63" (5)	65.0	72.5	62.0	62.0	65.0	75.0	90.0	130.0
24"		65.0	72.5	62.0	62.0	65.0	75.0	90.0	130.0
26-1/2"		65.0	72.5	62.0	62.0	65.0	75.0	90.0	130.0
32"		65.0	72.5	62.0	62.0	65.0	75.0	90.0	130.0
37"		65.0	72.5	62.0	62.0	65.0	75.0	90.0	130.0
40"		65.0	72.5	62.0	62.0	65.0	75.0	90.0	130.0
48"		64.9	64.9	62.0	62.0	65.0	75.0	90.0	130.0
53-1/8"	56.0	56.0	62.0	62.0	65.0	75.0	90.0	121.8	
19-1/8"	76" (6)	65.0	72.5	62.0	62.0	65.0	75.0	90.0	130.0
24"		65.0	72.5	62.0	62.0	65.0	75.0	90.0	130.0
26-1/2"		65.0	72.5	62.0	62.0	65.0	75.0	90.0	130.0
32"		65.0	72.5	62.0	62.0	65.0	75.0	90.0	130.0
37"		65.0	72.5	62.0	62.0	65.0	75.0	90.0	130.0
40"		65.0	72.5	62.0	62.0	65.0	75.0	90.0	130.0
48"		-	-	62.0	62.0	65.0	75.0	90.0	130.0
53-1/8"	-	-	62.0	62.0	65.0	75.0	90.0	111.7	
19-1/8"	84" (7)	65.0	72.5	62.0	62.0	65.0	75.0	90.0	130.0
24"		65.0	72.5	62.0	62.0	65.0	75.0	90.0	130.0
26-1/2"		65.0	72.5	62.0	62.0	65.0	75.0	90.0	130.0
32"		65.0	72.5	62.0	62.0	65.0	75.0	90.0	130.0
37"		65.0	72.5	62.0	62.0	65.0	75.0	90.0	130.0
40"		-	-	62.0	62.0	65.0	75.0	90.0	130.0
48"		-	-	62.0	62.0	65.0	75.0	90.0	130.0
19-1/8"	96" (8)	65.0	72.5	62.0	62.0	65.0	75.0	90.0	130.0
24"		65.0	72.5	62.0	62.0	65.0	75.0	90.0	130.0
26-1/2"		65.0	72.5	62.0	62.0	65.0	75.0	90.0	130.0
32"		65.0	72.5	62.0	62.0	65.0	75.0	90.0	130.0
37"		-	-	62.0	62.0	65.0	75.0	90.0	130.0
40"		-	-	62.0	62.0	65.0	75.0	90.0	130.0

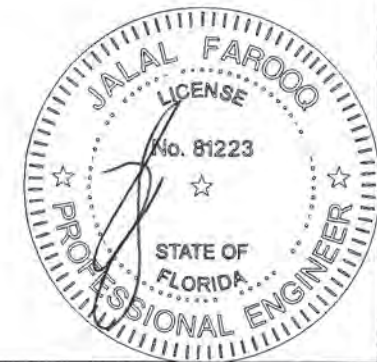
* NO. IN PARENTHESIS INDICATE NO. OF ANCHORS PER JAMB.



EQUAL LITES

NOTE:
GLASS CAPACITIES ON THIS SHEET ARE
BASED ON ASTM E1300-09 (3 SEC. GUSTS)
AND FLORIDA BUILDING COMMISSION
DECLARATORY STATEMENT DCA05-DEC-219

JUN 27 2023



AL-FAROOQ CORPORATION
ENGINEERS & PRODUCT DEVELOPMENT
9360 SUNSET DRIVE, SUITE 220
MIAMI, FLORIDA 33173 (C.A.N. 3538)
TEL. (305) 264-8100 FAX. (305) 262-6978
COMP-ANL\W03-53IWC

ALUMINUM SINGLE HUNG WINDOW (L.M.I.)
Eurotech Industries Inc.
3801 S.W. 30th Ave, Bay 24
Hollywood, FL 33312
Tel. (954) 630-9967 Fax. (954) 630-0217

PRODUCT RENEWED
as complying with the Florida
Building Code
NOA-No. **26-0305.04**
Expiration Date: **03/05/2027**
By: *Manuel Fern*
Miami-Dade Product Control

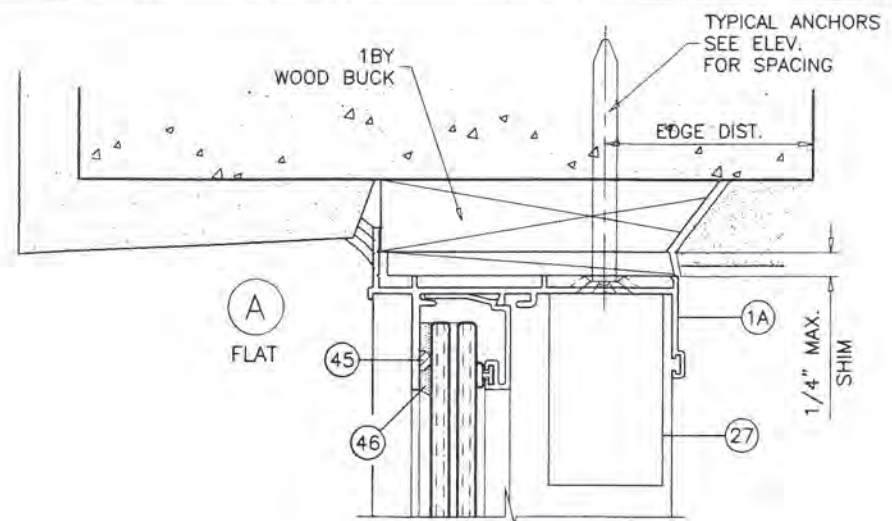
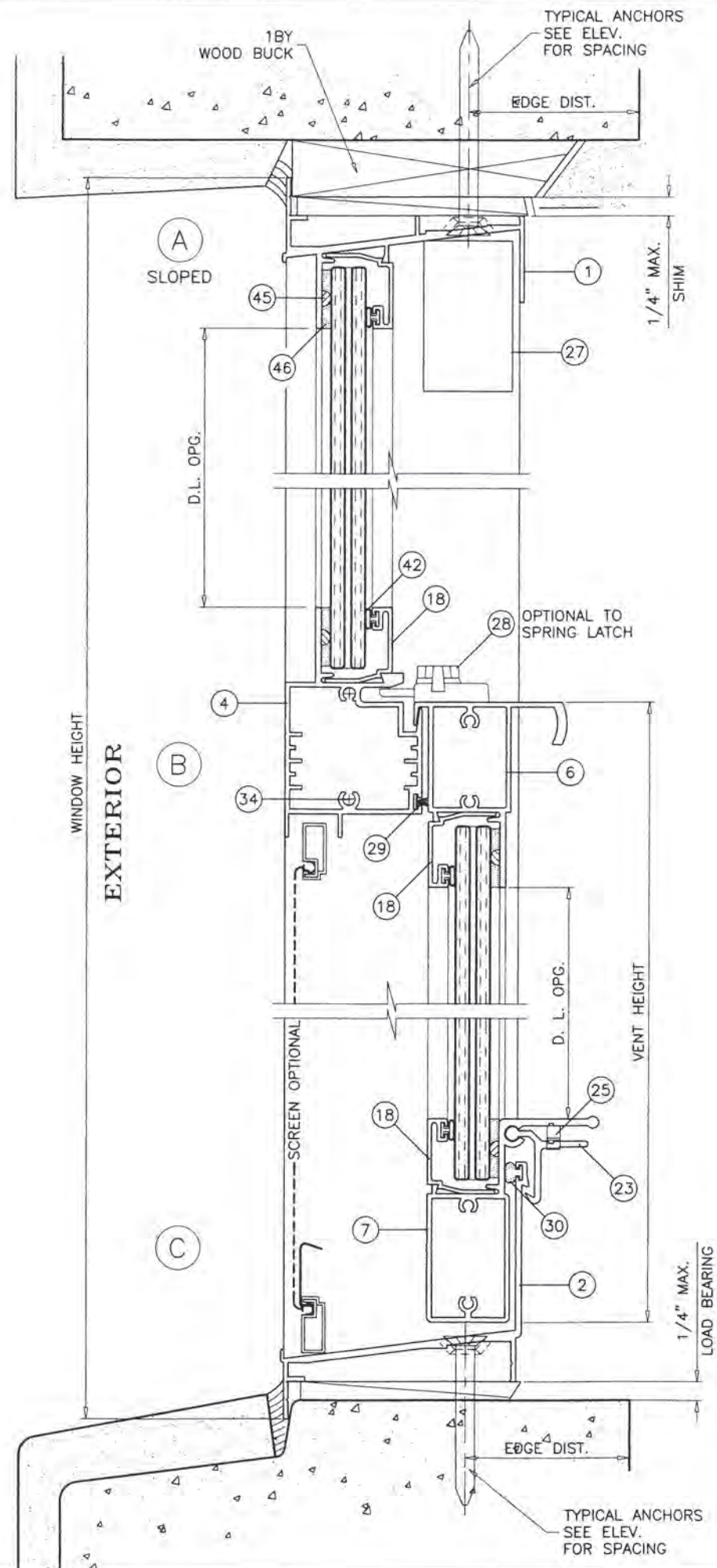
PRODUCT RENEWED
as complying with the Florida
Building Code
NOA-No. **24-1125.08**
Expiration Date: **03/05/2026**
By: *Manuel Fern*
Miami-Dade Product Control

PRODUCT REVISED
as complying with the Florida
Building Code
NOA-No. **23-0717.13**
Expiration Date **03/05/2025**
By: *[Signature]*
Miami-Dade Product Control

no	date	description
H	03.13.18	UPDATED TO 2017 FBC
I	07.23.18	MANUF. NAME REV.
J	01.23.20	MANUF. NAME REV.
K	11.05.20	UPDATED TO 2020 FBC
L	06.16.23	MANUF. NAME REV.

date: 07-14-03
scale: 1/2" = 1"
dr. by: TARIQ
chk. by:

drawing no.
W03-53
sheet 3 of 8



PRODUCT RENEWED
as complying with the Florida Building Code

NOA-No. 26-0305.04

Expiration Date: 03/05/2027

By: *Manuel Perez*

Miami-Dade Product Control

PRODUCT RENEWED
as complying with the Florida Building Code

NOA-No. 24-1125.08

Expiration Date: 03/05/2026

By: *Manuel Perez*

Miami-Dade Product Control

PRODUCT REVISED
as complying with the Florida Building Code

NOA-No. 23-0717.13

Expiration Date 03/05/2025

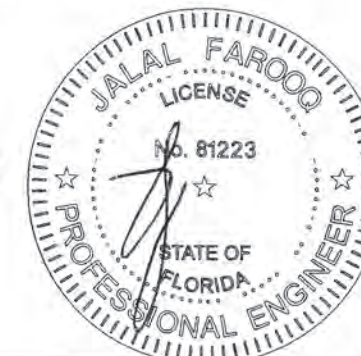
By: *CS*

Miami-Dade Product Control

SEALANT:

ALL JOINTS AND FRAME CONNECTIONS SEALED WITH SCHNEE MOREHEAD SEAM SEALER SM5504.

JUN 27 2023



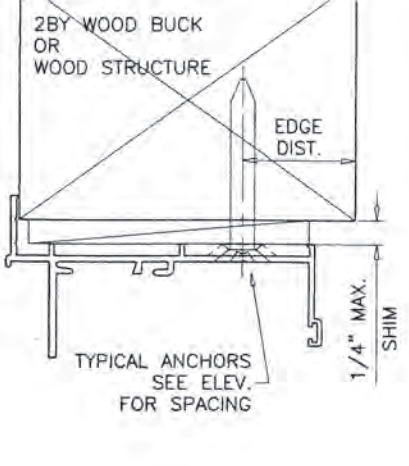
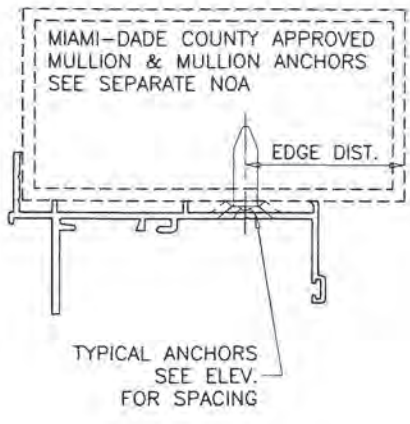
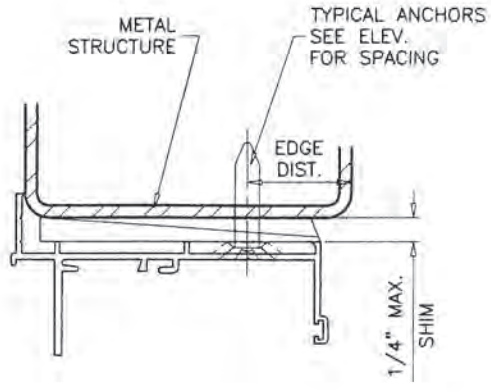
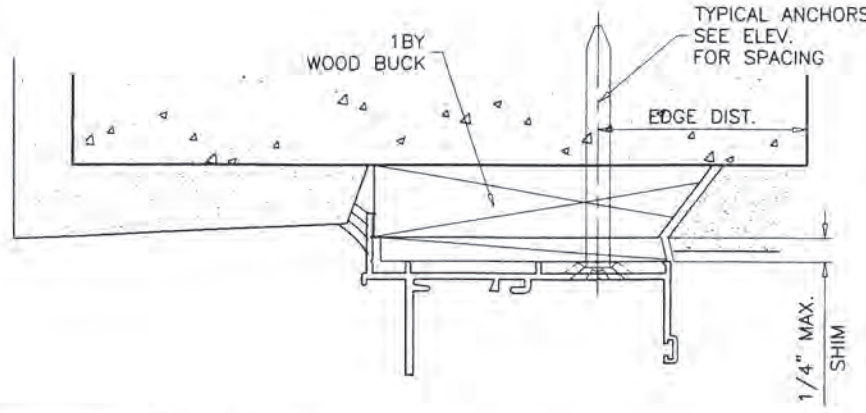
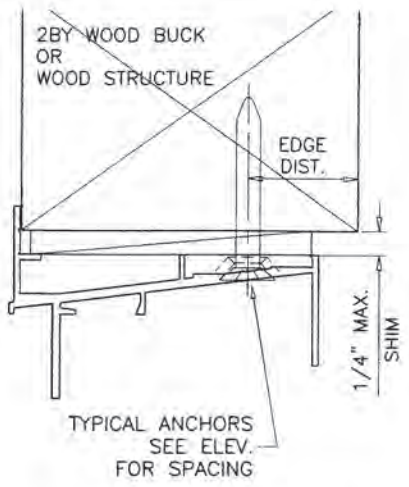
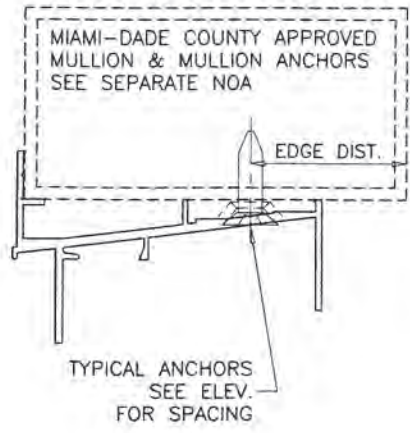
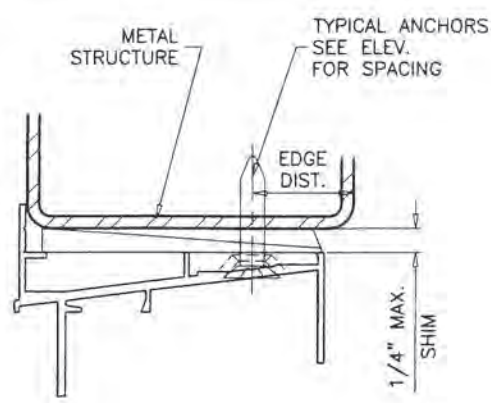
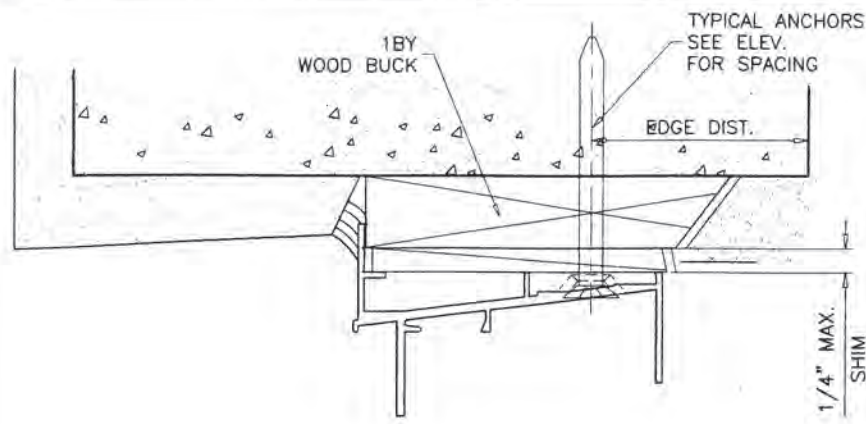
AL-FAROOQ CORPORATION
ENGINEERS & PRODUCT DEVELOPMENT
9360 SUNSET DRIVE, SUITE 220
MIAMI, FLORIDA 33173 (C.A.N. 353B)
TEL. (305) 264-8100 FAX. (305) 262-6978
COMP-ANL\W03-53IWC

ALUMINUM SINGLE HUNG WINDOW (L.M.I.)
Eurotech Industries Inc.
3801 S.W. 30th Ave, Bay 24
Hollywood, FL 33312
Tel. (954) 630-9967 Fax. (954) 630-0217

no	date	description	by
H	03.13.18	UPDATED TO 2017 FBC	
I	07.23.18	MANUF. NAME REV.	
J	01.23.20	MANUF. NAME REV.	
K	11.05.20	UPDATED TO 2020 FBC	
L	06.16.23	MANUF. NAME REV.	

date: 07-14-03
scale: 1/2" = 1"
dr. by: TARIQ
chk. by:

drawing no.
W03-53
sheet 4 of 8



TYPICAL ANCHORS: SEE ELEV. FOR SPACING

1/4" DIA. ULTRACON+ BY 'DEWALT' ($F_u=164$ KSI, $F_y=148$ KSI)
 INTO 2BY WOOD BUCKS OR WOOD STRUCTURES
 1-1/2" MIN. PENETRATION INTO WOOD (HEAD/SILL/JAMBS)
 THRU 1BY BUCKS INTO CONC. OR BLOCKS
 1-1/4" MIN. EMBED INTO CONCRETE (HEAD/SILL/JAMBS)
 1-1/4" MIN. EMBED INTO BLOCKS (JAMBS)

DIRECTLY INTO CONCRETE OR BLOCKS
 1-1/4" MIN. EMBED INTO CONCRETE (HEAD/SILL/JAMBS)
 1-1/4" MIN. EMBED INTO BLOCKS (JAMBS)

#14 SMS OR SELF-DRILLING SCREWS (GRADE 2 CRS)
 INTO METAL STRUCTURES (HEAD/SILL/JAMBS)
 (3) THREADS MIN. TO EXTEND BEYOND METAL THICKNESS
 ALUMINUM: 1/8" THK. MIN. (6063-T5 MIN.)
 STEEL: 1/8" THK. MIN. ($F_y = 36$ KSI MIN.)
 (STEEL IN CONTACT WITH ALUMINUM TO BE PLATED OR PAINTED)

#12 SMS OR SELF-DRILLING SCREWS (GRADE 2 CRS)
 INTO MIAMI-DADE COUNTY APPROVED MULLIONS
 (3) THREADS MIN. TO EXTEND BEYOND METAL THICKNESS
 ALUMINUM: 1/8" THK. MIN. (6063-T5 MIN.) (NO SHIMS)
 STEEL: 1/8" THK. MIN. ($F_y = 36$ KSI MIN.) (NO SHIMS)
 (STEEL IN CONTACT WITH ALUMINUM TO BE PLATED OR PAINTED)

CRITICAL EDGE DISTANCE

INTO CONCRETE AND BLOCKS = 2-1/2" MIN.
 INTO WOOD STRUCTURE = 1" MIN.
 INTO METAL STRUCTURE = 3/4" MIN.

WOOD AT HEAD, SILL OR JAMBS $S_G = 0.55$ MIN.
 CONCRETE AT HEAD, SILL OR JAMBS $f'_c = 3000$ PSI MIN.
 C-90 HOLLOW/FILLED BLOCK AT JAMBS $f'_m = 2000$ PSI MIN.

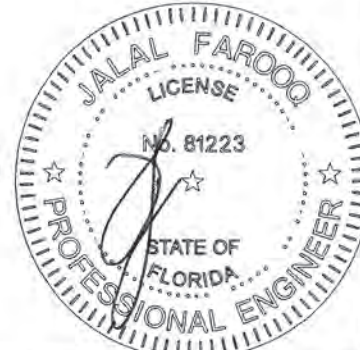
WOOD BUCKS AND METAL STRUCTURE NOT BY 'EUROTECH'
 MUST SUSTAIN LOADS IMPOSED BY GLAZING SYSTEM
 AND TRANSFER THEM TO THE BUILDING STRUCTURE.

PRODUCT RENEWED
 as complying with the Florida Building Code
 NOA-No. **26-0305.04**
 Expiration Date: **03/05/2027**
 By: *Manuel Perez*
 Miami-Dade Product Control

PRODUCT RENEWED
 as complying with the Florida Building Code
 NOA-No. **24-1125.08**
 Expiration Date: **03/05/2026**
 By: *Manuel Perez*
 Miami-Dade Product Control

PRODUCT REVISED
 as complying with the Florida Building Code
 NOA-No. **23-0717.13**
 Expiration Date **03/05/2025**
 By: *[Signature]*
 Miami-Dade Product Control

JUN 27 2023



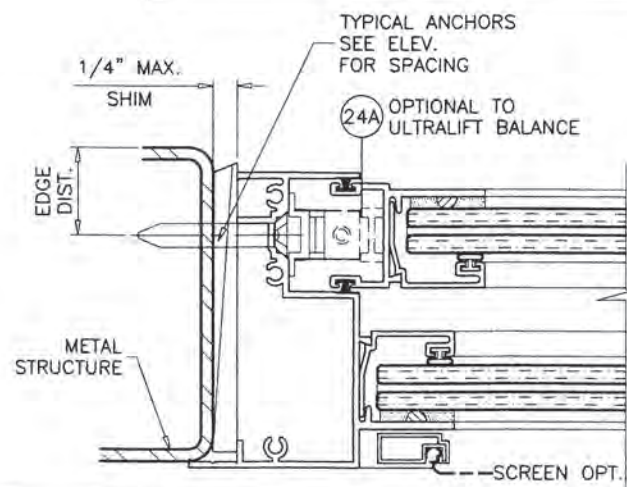
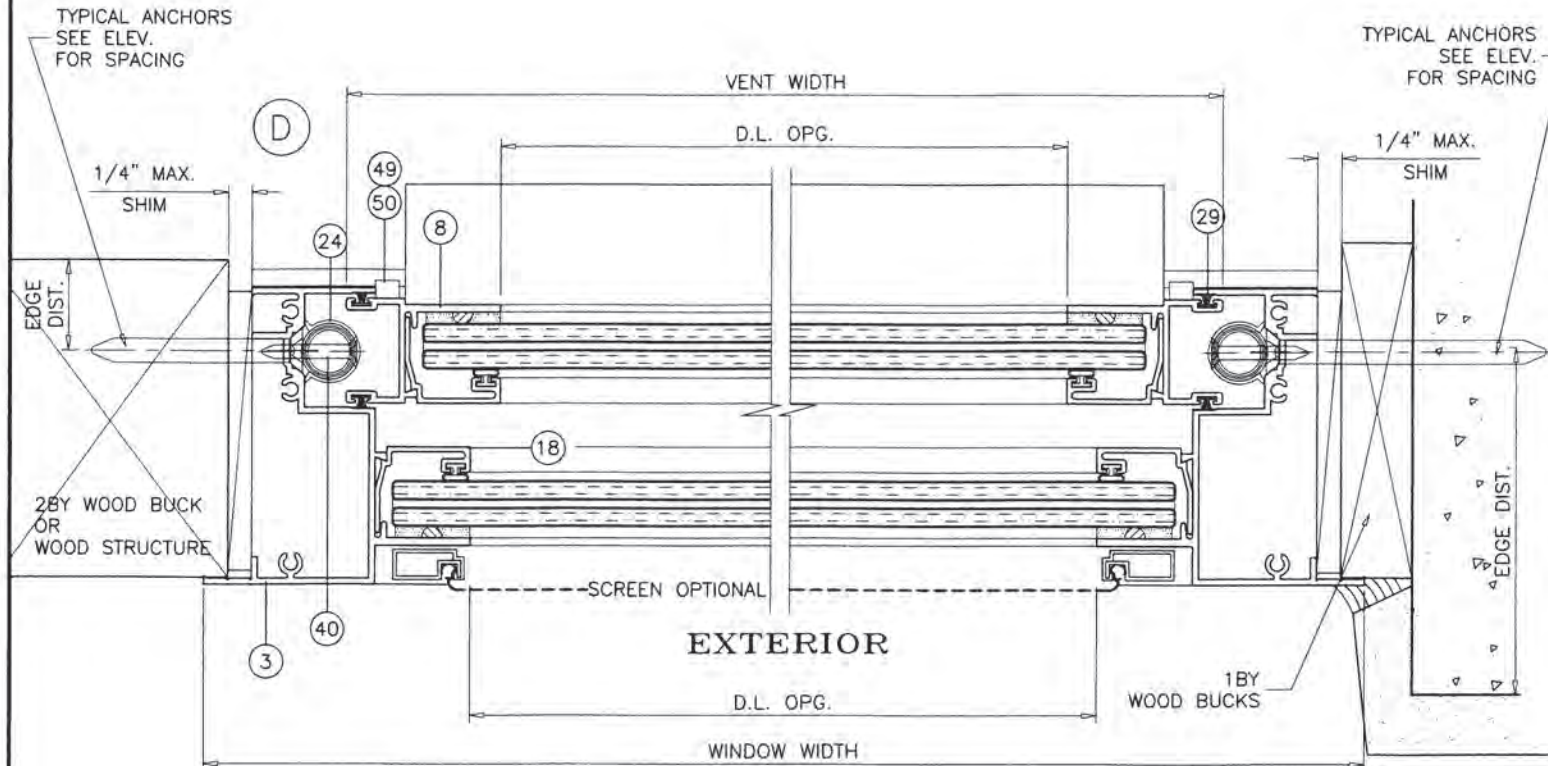
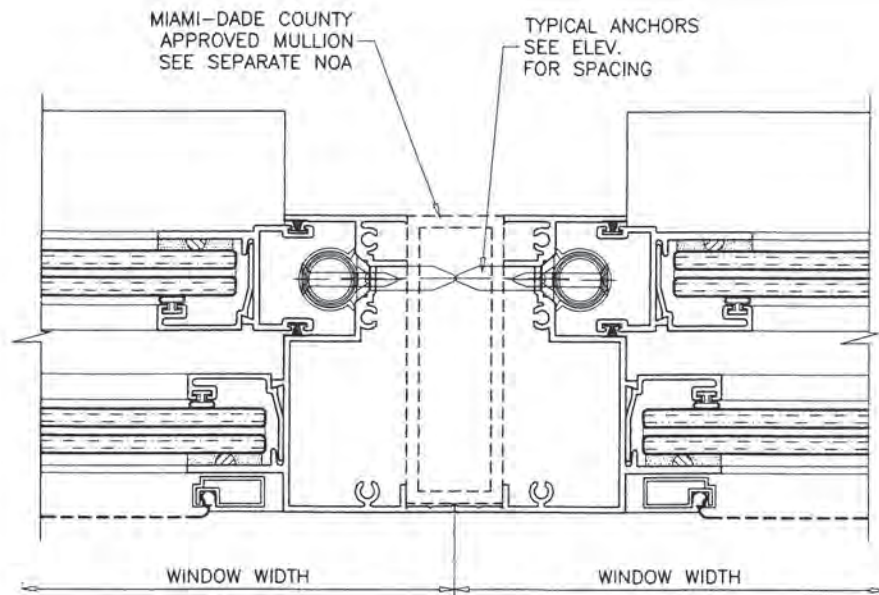
af c
AL-FAROOQ CORPORATION
 ENGINEERS & PRODUCT DEVELOPMENT
 9360 SUNSET DRIVE, SUITE 220
 MIAMI, FLORIDA 33173 (C.A.N. 3538)
 TEL. (305) 264-8100 FAX. (305) 262-6978
 COMP-ANL\W03-53JWC

ALUMINUM SINGLE HUNG WINDOW (L.M.I.)
Eurotech Industries Inc.
 3801 S.W. 30th Ave, Bay 24
 Hollywood, FL 33312
 Tel. (954) 630-9967 Fax. (954) 630-0217

no	date	by	description
H	03.13.18		UPDATED TO 2017 FBC
I	07.23.18		MANUF. NAME REV.
J	01.23.20		MANUF. NAME REV.
K	11.05.20		UPDATED TO 2020 FBC
L	06.16.23		MANUF. NAME REV.

date:	07-14-03
scale:	1/2" = 1"
dr. by:	TARIO
chk. by:	

drawing no.
W03-53
 sheet 5 of 8



ITEM NO.	PART NO.	QUANTITY	DESCRIPTION	MATERIAL	MANF./SUPPLIER/REMARKS
1	021-029	1	FRAME HEAD (SLOPED)	6063-T6	ARCH ALUM.
1A	021-006	1	FRAME HEAD (FLAT)	6063-T6	ARCH ALUM.
2	021-002	1	FRAME SILL	6063-T6	ARCH ALUM.
3	021-005	2	FRAME JAMB	6063-T6	ARCH ALUM.
4	022-007	1	MTG. RAIL	6063-T5	ARCH ALUM.
6	022-004	1	VENT TOP RAIL	6063-T5	ARCH ALUM.
7	022-001	1	VENT BOTTOM RAIL	6063-T5	ARCH ALUM.
8	021-003	2	VENT SIDE RAIL	6063-T5	ARCH ALUM.
18	021-011	4/ LITE	GLAZING BEAD	6063-T5	ARCH ALUM.
18A	021-012	4/ LITE	GLAZING BEAD	6063-T5	ARCH ALUM.
23	021-008	2/ VENT	SNAP LATCH (2 @ 3" LG)	6063-T5	ARCH ALUM.
24	025-000	2	ULTRA LIFT BALANCE		CALDWELL MFG
24A	024-000	2	BLOCK & TACKLE BALANCE		BSI
25	006-001	2	SPRING	ST/ST	IND. SPRING
26	004-005	-	UEK BRACKET	STEEL	CALDWELL MFG
27	010-001	-	SASH STOP	RIGID VINYL	MASTER TOOL
28	004-002	-	SWEEP LOCK @ 7" FROM ENDS	METAL	SULLIVAN & ASSOC.
29	016-001	AS REQD.	FIN SEAL	WOOL PILE	ULTRA FAB
30	023-001	-	FILLED BULB VINYL		AMESBURY
31	015-009	-	CHIMNEY PLUG	CLOSED CELL	FRANK LOWE RUBBR
33	008-014	AS REQD.	#8X1 PPH SMS	ST/ST	
34	008-031	2/ END	#10X1 PPH SMS	ST/ST	
37	012-001	-	SEAM SEALER SM5504	ACRYLIC	SCHNEE MOREHEAD
39	008-010	-	#8X1/2 UCFHPH SMS	ST/ST	
40	008-017	-	#8X1 1/4 FHPH SMS	ST/ST	
42	015-001	AS REQD.	BULB VINYL	VINYL	MASTER TOOL
42A	015-007	AS REQD.	WEDGE GASKET	VINYL	-
45	015-006	-	0.150 SPACER	VINYL	FRANK LOWE RUBBR
45A	015-004	-	1/16 X .400 SPACER	VINYL	FRANK LOWE RUBBR
46	012-004	-	DOW 995	SILICONE	DOWSIL
49	010-010	-	SASH GUIDE TOP	RIGID PVB	M & M PLASTICS
50	010-011	-	SASH GUIDE BOT	RIGID PVB	M & M PLASTICS
51	008-002	-	#6X1/2 FHPH SMS	ST/ST	
55	003-001	AS REQD.	ROLL FORM SCREEN FRAME	ALUMINUM	FLORIDA SCREEN

PRODUCT RENEWED
 as complying with the Florida
 Building Code
 NOA-No. **26-0305.04**
 Expiration Date: **03/05/2027**
 By: *Manuel Perez*
 Miami-Dade Product Control

PRODUCT RENEWED
 as complying with the Florida
 Building Code
 NOA-No. **24-1125.08**
 Expiration Date: **03/05/2026**
 By: *Manuel Perez*
 Miami-Dade Product Control

PRODUCT REVISED
 as complying with the Florida
 Building Code
 NOA-No. **23-0717.13**
 Expiration Date **03/05/2025**
 By: *CS*
 Miami-Dade Product Control

JUN 27 2023



af c

AL-FAROOQ CORPORATION
 ENGINEERS & PRODUCT DEVELOPMENT
 9360 SUNSET DRIVE, SUITE 220
 MIAMI, FLORIDA 33173 (C.A.N. 3538)
 TEL. (305) 264-8100 FAX. (305) 262-6978
 COMP - ANL \ W03-53\ WC

ALUMINUM SINGLE HUNG WINDOW (L.M.I.)

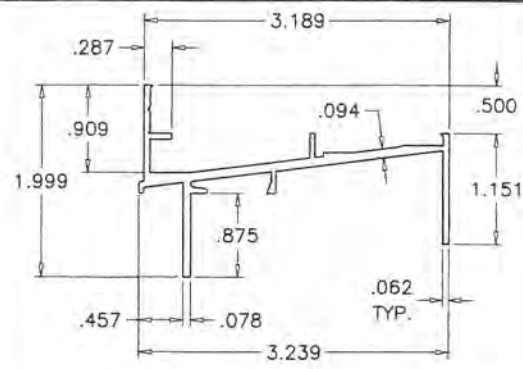
Eurotech Industries Inc.
 3801 S.W. 30th Ave, Bay 24
 Hollywood, FL 33312
 Tel. (954) 630-9967 Fax. (954) 630-0217

no	date	description	by
H	03.13.18	UPDATED TO 2017 FBC	MANUF. NAME REV.
I	07.23.18	MANUF. NAME REV.	MANUF. NAME REV.
J	01.23.20	MANUF. NAME REV.	MANUF. NAME REV.
K	11.05.20	UPDATED TO 2020 FBC	MANUF. NAME REV.
L	06.16.23	MANUF. NAME REV.	MANUF. NAME REV.

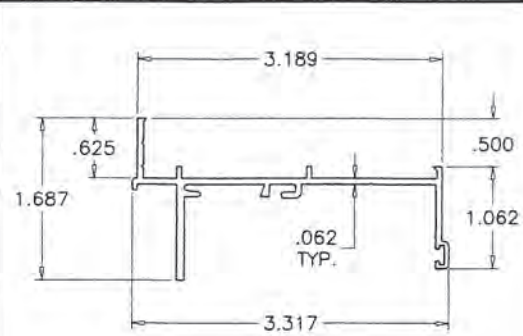
revisions:

date: 07-14-03
 scale: 1/2" = 1"
 dr. by: TARIQ
 chk. by:

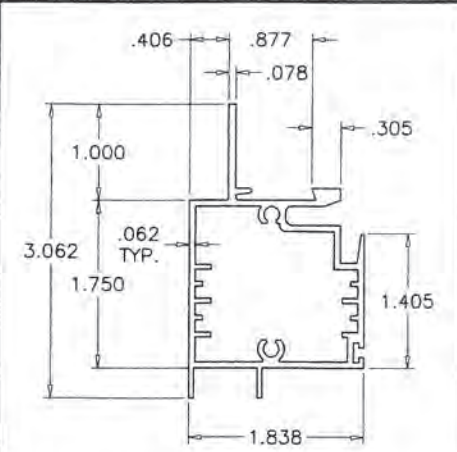
drawing no.
W03-53
 sheet 6 of 8



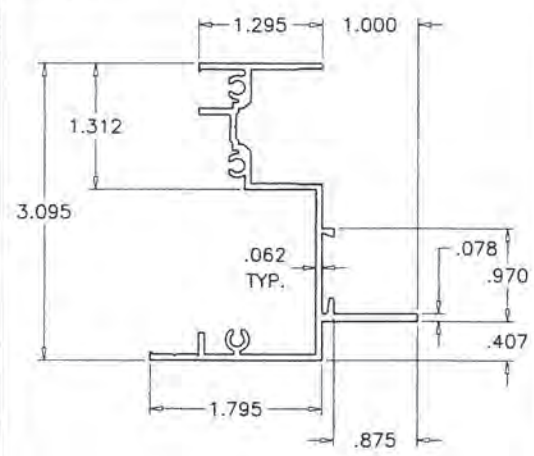
1 FRAME HEAD (SLOPED)



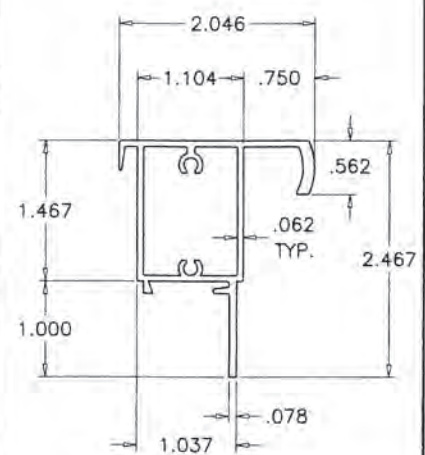
1A FRAME HEAD (FLAT)



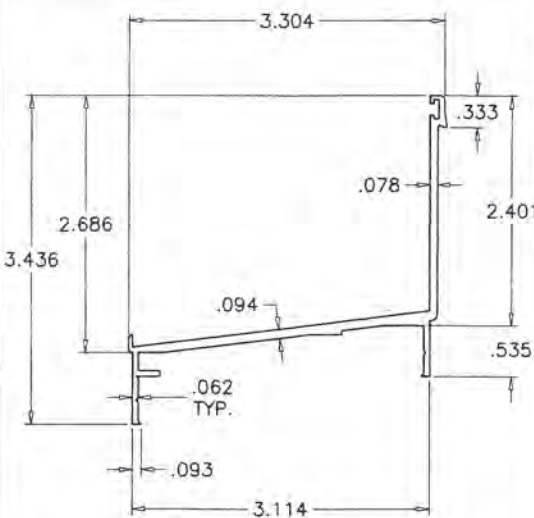
4 FIXED MEETING RAIL



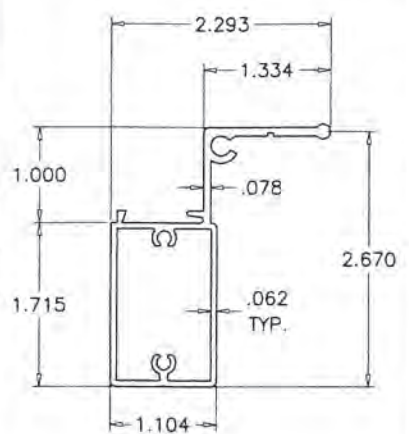
3 FRAME JAMB



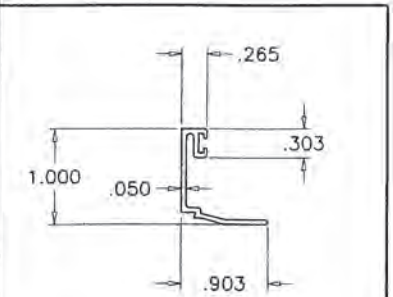
6 VENT TOP RAIL



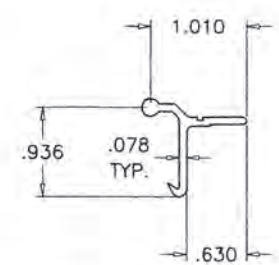
2 FRAME SILL



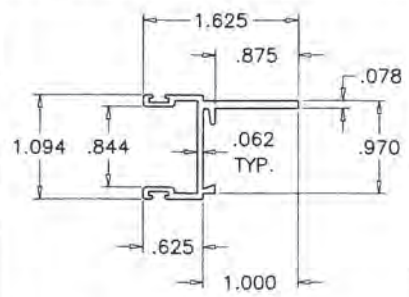
7 VENT BOTTOM RAIL



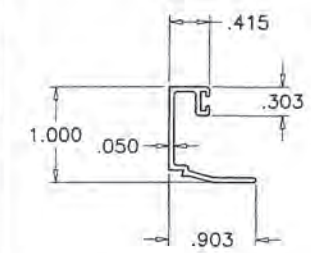
18 GLAZING BEAD



23 LATCH



8 VENT SIDE RAIL



18A GLAZING BEAD

PRODUCT RENEWED
 as complying with the Florida
 Building Code
 NOA-No. **26-0305.04**
 Expiration Date: **03/05/2027**
 By: *Manuel Feroz*
 Miami-Dade Product Control

PRODUCT RENEWED
 as complying with the Florida
 Building Code
 NOA-No. **24-1125.08**
 Expiration Date: **03/05/2026**
 By: *Manuel Feroz*
 Miami-Dade Product Control

PRODUCT REVISED
 as complying with the Florida
 Building Code
 NOA-No. **23-0717.13**
 Expiration Date **03/05/2025**
 By: *[Signature]*
 Miami-Dade Product Control

JUN 27 2020



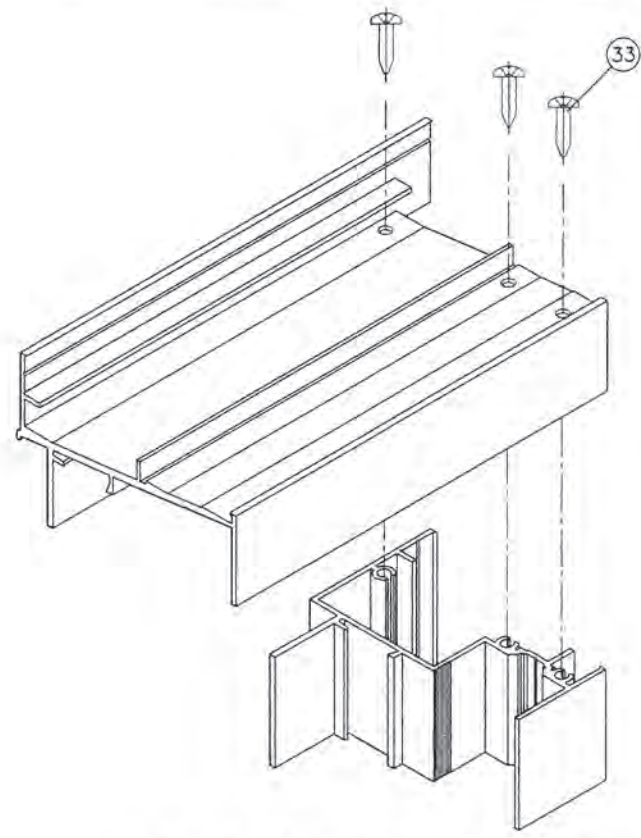
af c
AL-FAROOQ CORPORATION
 ENGINEERS & PRODUCT DEVELOPMENT
 9360 SUNSET DRIVE, SUITE 220
 MIAMI, FLORIDA 33173 (C.A.N. 3538)
 TEL. (305) 264-8100 FAX. (305) 262-6978
 COMP-ANL\W03-53IWC

ALUMINUM SINGLE HUNG WINDOW (L.M.I.)
 Eurotech Industries Inc.
 3801 S.W. 30th Ave, Bay 24
 Hollywood, FL 33312
 Tel. (954) 630-9967 Fax. (954) 630-0217

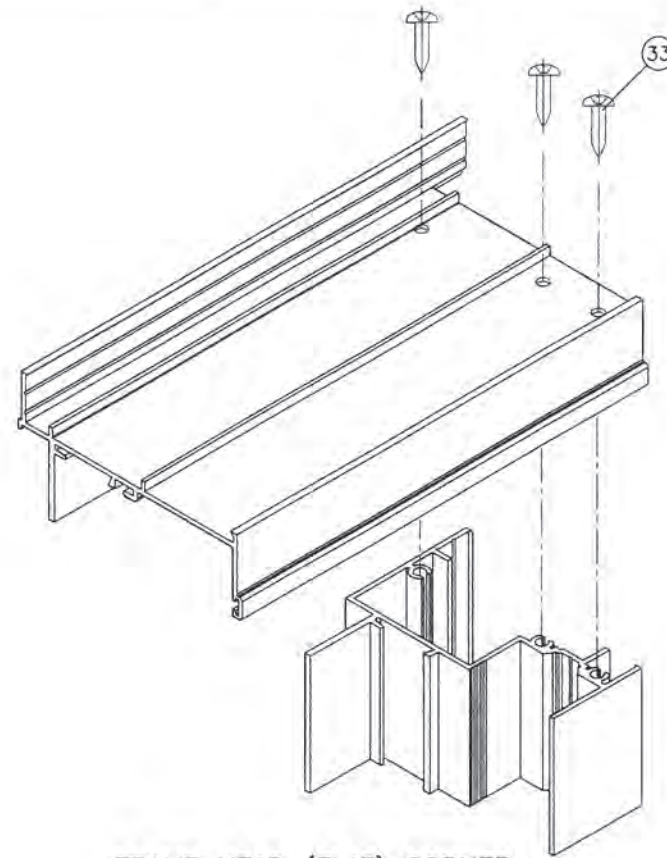
no	date	by	description
H	03.13.18		UPDATED TO 2017 FBC
I	07.23.18		MANUF. NAME REV.
J	01.23.20		MANUF. NAME REV.
K	11.05.20		UPDATED TO 2020 FBC
L	06.16.23		MANUF. NAME REV.

date: 07-14-03
 scale: 1/2" = 1"
 dr. by: TARIQ
 chk. by:

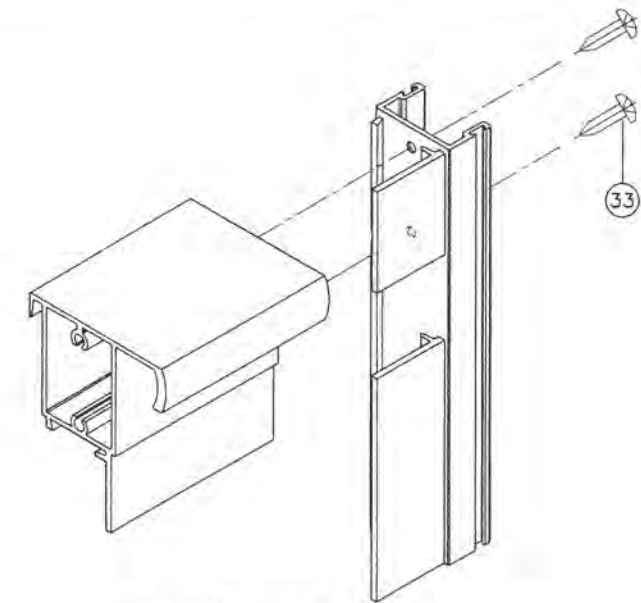
drawing no.
W03-53
 sheet 7 of 8



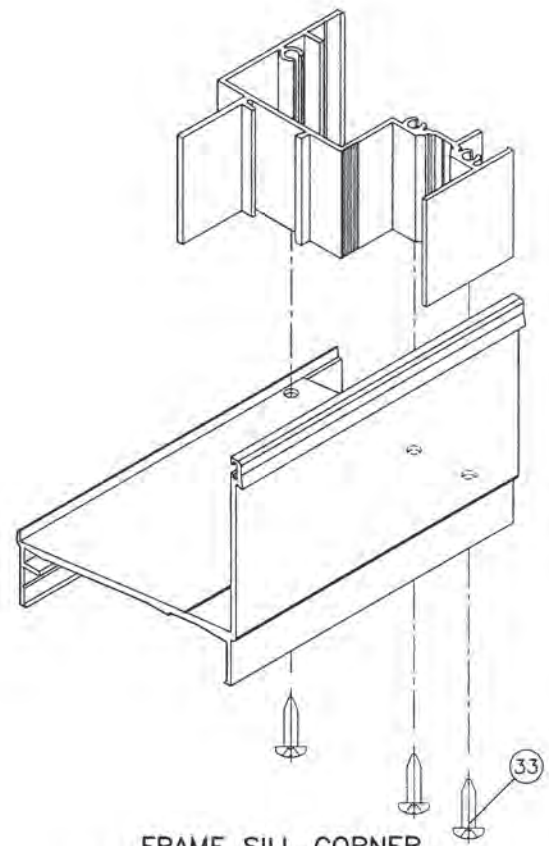
FRAME HEAD (SLOPED) CORNER



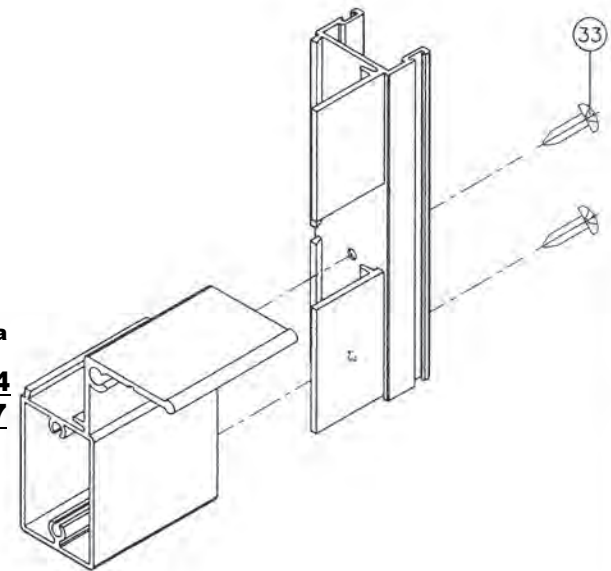
FRAME HEAD (FLAT) CORNER



VENT TOP CORNER



FRAME SILL CORNER



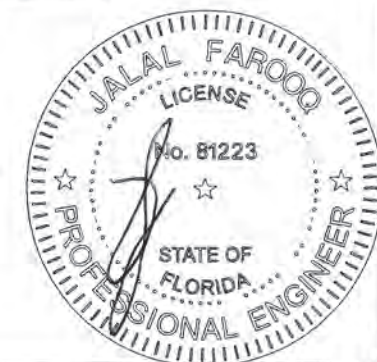
VENT BOTTOM CORNER

PRODUCT RENEWED
as complying with the Florida
Building Code
NOA-No. 26-0305.04
Expiration Date: 03/05/2027
By: Manuel Ferrer
Miami-Dade Product Control

PRODUCT RENEWED
as complying with the Florida
Building Code
NOA-No. 24-1125.08
Expiration Date: 03/05/2026
By: Manuel Ferrer
Miami-Dade Product Control

PRODUCT REVISED
as complying with the Florida
Building Code
NOA-No. 23-0717.13
Expiration Date 03/05/2025
By: CS
Miami-Dade Product Control

JUN 27 2023



af c
AL-FAROOQ CORPORATION
ENGINEERS & PRODUCT DEVELOPMENT
9360 SUNSET DRIVE, SUITE 220 (C.A.N. 3538)
MIAMI, FLORIDA 33173
TEL. (305) 264-8100 FAX. (305) 262-6978
COMP-ANL\W03-53IWC

ALUMINUM SINGLE HUNG WINDOW (L.M.I.)
Eurotech Industries Inc.
3801 S.W. 30th Ave, Bay 24
Hollywood, FL 33312
Tel. (954) 630-9967 Fax. (954) 630-0217

revisions:	
no	description
H	03.13.18 UPDATED TO 2017 FBC
I	07.23.18 MANUF. NAME REV.
J	01.23.20 MANUF. NAME REV.
K	11.05.20 UPDATED TO 2020 FBC
L	06.16.23 MANUF. NAME REV.

date: 07-14-03
scale: 1/2" = 1"
dr. by: TARIQ
chk. by:

drawing no.
W03-53

sheet 8 of 8