



MIAMI-DADE COUNTY
PRODUCT CONTROL SECTION
 11805 SW 26 Street, Room 208
 Miami, Florida 33175-2474
 T (786) 315-2590 F (786) 315-2599
www.miamidade.gov/economy

DEPARTMENT OF REGULATORY AND ECONOMIC RESOURCES (RER)
 BOARD AND CODE ADMINISTRATION DIVISION
NOTICE OF ACCEPTANCE (NOA)

Eurotech Industries, Inc.
4201 NE 12th Terrace
Ft. Lauderdale, FL 33334

SCOPE:

This NOA is being issued under the applicable rules and regulations governing the use of construction materials. The documentation submitted has been reviewed and accepted by Miami-Dade County RER-Product Control Section to be used in Miami-Dade County and other areas where allowed by the Authority Having Jurisdiction (AHJ).

This NOA shall not be valid after the expiration date stated below. The Miami-Dade County Product Control Section (In Miami-Dade County) and/ or the AHJ (in areas other than Miami-Dade County) reserve the right to have this product or material tested for quality assurance purposes. If this product or material fails to perform in the accepted manner, the manufacturer will incur the expense of such testing and the AHJ may immediately revoke, modify, or suspend the use of such product or material within their jurisdiction. RER reserves the right to revoke this acceptance if it is determined by Miami-Dade County Product Control Section that this product or material fails to meet the requirements of the applicable building code.

This product is approved as described herein and has been designed to comply with the Florida Building Code, including the High Velocity Hurricane Zone.

DESCRIPTION: Series “1280/1283” Aluminum Single Hung Window – L.M.I.

APPROVAL DOCUMENT: Drawing No. **W10-33**, titled “S-1280/1283 Alum Single Hung Window (L.M.I.)” sheets 1 through 7 of 7, dated 06/02/10, with revision “H” dated 06/16/23, prepared by Al-Farooq Corporation, signed and sealed by Jalal Farooq, P.E., bearing the Miami-Dade County Product Control Renewal stamp with the Notice of Acceptance number and expiration date by the Miami-Dade County Product Control Section.

MISSILE IMPACT RATING: Large and Small Missile Impact Resistant

LABELING: Each unit shall bear a permanent label with the manufacturer's name or logo, Hollywood, FL, model/series, and following statement: "Miami-Dade County Product Control Approved", unless otherwise noted herein.

RENEWAL of this NOA shall be considered after a renewal application has been filed and there has been no change in the applicable building code negatively affecting the performance of this product.

TERMINATION of this NOA will occur after the expiration date or if there has been a revision or change in the materials, use, and/ or manufacture of the product or process. Misuse of this NOA as an endorsement of any product, for sales, advertising or any other purposes shall automatically terminate this NOA. Failure to comply with any section of this NOA shall be cause for termination and removal of NOA.

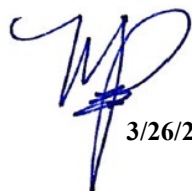
ADVERTISEMENT: The NOA number preceded by the words Miami-Dade County, Florida, and followed by the expiration date may be displayed in advertising literature. If any portion of the NOA is displayed, then it shall be done in its entirety.

INSPECTION: A copy of this entire NOA shall be provided to the user by the manufacturer or its distributors and shall be available for inspection at the job site at the request of the Building Official.

This NOA **renews NOA No. 23-0717.09** and consists of this page 1 and evidence pages E-1, E-2 and E-3, as well as approval document mentioned above.

The submitted documentation was reviewed by **Manuel Perez, P.E.**




 3/26/26

NOA No. 26-0311.02
 Expiration Date: September 15, 2030
 Approval Date: April 02, 2026
 Page 1

Eurotech Industries, Inc.

NOTICE OF ACCEPTANCE: EVIDENCE SUBMITTED

1. EVIDENCE SUBMITTED UNDER PREVIOUS NOA's

A. DRAWINGS

1. Manufacturer's die drawings and sections.
(Submitted under NOA No. 10-0615.02)
2. Drawing No. **W10-33**, titled "S-1280/1283 Alum Single Hung Window (L.M.I.)" sheets 1 through 7 of 7, dated 06/02/10, with revision "H" dated 06/16/23, prepared by Al-Farooq Corporation, signed and sealed by Jalal Farooq, P.E.
(Submitted under NOA No. 23-0717.09)

B. TESTS

1. Test reports on: 1) Air Infiltration Test, per FBC, TAS 202-94
2) Uniform Static Air Pressure Test, Loading per FBC, TAS 202-94
3) Water Resistance Test, per FBC, TAS 202-94
4) Large Missile Impact Test per FBC, TAS 201-94
5) Cyclic Wind Pressure Loading per FBC, TAS 203-94
6) Forced Entry Test, per FBC 2411 3.2.1 and TAS 202-94
along with marked-up drawings and installation diagram of an aluminum single hung window, prepared by American Test Lab of South Florida, Test Report No. **ATLSF-0302.01-10**, dated 05/11/10, signed and sealed by Eduardo Largaespada, P.E.
(Submitted under NOA No. 10-0615.02)

C. CALCULATIONS


1. Anchor verification calculations and structural analysis, complying with FBC 6th Edition (2017), dated 03/06/18, prepared by Al-Farooq Corporation and signed and sealed by Jalal Farooq, P.E.
(Submitted under NOA No. 18-0404.06)
2. Glazing complies with **ASTM E1300-09**

D. QUALITY ASSURANCE

1. Miami-Dade Department of Regulatory and Economic Resources (RER)

E. MATERIAL CERTIFICATIONS

1. Notice of Acceptance No. **23-0717.30** issued to **Kuraray America, Inc.** for their "SentryGlas® (Clear and White) Glass Interlayers" dated 08/31/23, expiring on 07/04/28.
2. Notice of Acceptance No. **24-0205.08** issued to **Kuraray America, Inc.** for their "Trosifol® Ultraclear, Clear and Color PVB Glass Interlayers" dated 03/21/24, expiring on 07/08/29.


Manuel Perez, P.E.
Product Control Examiner
NOA No. 26-0311.02
Expiration Date: September 15, 2030
Approval Date: April 02, 2026

Eurotech Industries, Inc.

NOTICE OF ACCEPTANCE: EVIDENCE SUBMITTED

1. EVIDENCE SUBMITTED UNDER PREVIOUS NOA's (CONTINUED)
F. STATEMENTS

1. Statement letter of conformance, complying with **FBC 7th Edition (2020)** and **FBC 8th Edition (2023)** and of no financial interest, dated June 20, 2024, issued by Al-Farooq Corporation, signed and sealed by Jalal Farooq, P.E.
(Submitted under NOA No. 23-0717.09)
2. **Bill of Sale for Impact Window Company Acquisition, LLC to Eurotech Industries Inc.**
(Submitted under NOA No. 23-0717.09)
3. Documents for "Innovative Window Concepts, LLC Purchase of Assets in Replevin".
(Submitted under NOA No. 20-0129.12)

G. OTHERS

1. Notice of Acceptance No. **20-1203.13**, issued to Impact Window Company Acquisition, LLC, for their Series "1280 & 1283" Aluminum Single Hung Window – L.M.I., approved on 03/11/21 and expiring on 09/15/25.

2. NEW EVIDENCE SUBMITTED

A. DRAWINGS

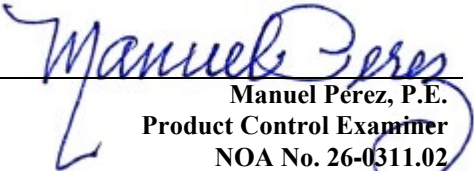
1. None.

B. TESTS

1. Test reports on: 1) Air Infiltration Test, per FBC, TAS 202-94
2) Uniform Static Air Pressure Test, Loading per FBC, TAS 202-94
3) Water Resistance Test, per FBC, TAS 202-94
4) Large Missile Impact Test per FBC, TAS 201-94
5) Cyclic Wind Pressure Loading per FBC, TAS 203-94
6) Forced Entry Test, per FBC 2411 3.2.1 and TAS 202-94
along with marked-up drawings and installation diagram of a series 1280/1283 aluminum single hung window, prepared by American Test Lab of South Florida, Test Report No. **ATLSF-0620.02-25**, dated 08/18/25, signed and sealed by Stephen Warter, P.E.

C. CALCULATIONS

1. Anchor verification calculations and structural analysis, complying with FBC 8th Edition (2023), dated 03/05/26, prepared by Al-Farooq Corporation and signed and sealed by Jalal Farooq, P.E.



Manuel Pérez, P.E.
Product Control Examiner
NOA No. 26-0311.02
Expiration Date: September 15, 2030
Approval Date: April 02, 2026

Eurotech Industries, Inc.

NOTICE OF ACCEPTANCE: EVIDENCE SUBMITTED

1. NEW EVIDENCE SUBMITTED (CONTINUED)

D. QUALITY ASSURANCE

1. Miami-Dade Department of Regulatory and Economic Resources (RER)

E. MATERIAL CERTIFICATIONS

1. Notice of Acceptance No. **23-0717.30** issued to **Kuraray America, Inc.** for their “**SentryGlas® (Clear and White) Glass Interlayers**” dated 08/31/23, expiring on 07/04/28.
2. Notice of Acceptance No. **24-0205.08** issued to **Kuraray America, Inc.** for their “**Trosifol® Ultraclear, Clear and Color PVB Glass Interlayers**” dated 03/21/24, expiring on 07/08/29.

F. STATEMENTS

1. Statement letter of conformance, complying with **FBC 8th Edition (2023)** and of no financial interest, dated March 05, 2026, issued by Al-Farooq Corporation, signed and sealed by Jalal Farooq, P.E.
2. Proposal No. **24-1513** issued by the Product Control Section, dated December 19, 2024, signed by Manuel Perez, P.E.

G. OTHERS

1. Notice of Acceptance No. **23-0717.09**, issued to Eurotech Industries, Inc., for their Series “1280/1283” Aluminum Single Hung Window – L.M.I., approved on 11/23/23 and expiring on 09/15/25.


Manuel Perez, P.E.
Product Control Examiner
NOA No. 26-0311.02

Expiration Date: September 15, 2030
Approval Date: April 02, 2026

SERIES 1280 & 1283

ALUMINUM SINGLE HUNG WINDOW (L.M.I./S.M.I.)

DESIGN LOAD RATINGS FOR THESE WINDOWS TO BE AS PER CHARTS SHOWN ON SHEET 2.

APPROVAL APPLIES TO SINGLE UNITS OR SIDE BY SIDE COMBINATIONS OF S.H./S.H. OR SINGLE HUNG WITH OTHER WINDOW TYPES IN MODULES OF TWO OR MORE WINDOWS USING MIAMI-DADE COUNTY APPROVED MULLIONS IN BETWEEN.

LOWER DESIGN PRESSURE FROM WINDOWS OR MULLION APPROVAL WILL APPLY TO ENTIRE SYSTEM.

THIS PRODUCT HAS BEEN DESIGNED AND TESTED TO COMPLY WITH THE REQUIREMENTS OF THE 2020 (7TH EDITION)/2023 (8TH EDITION) FLORIDA BUILDING CODE INCLUDING HIGH VELOCITY HURRICANE ZONE (HVHZ).

1BY OR 2BY WOOD BUCKS & BUCK FASTENERS BY OTHERS, MUST BE DESIGNED AND INSTALLED ADEQUATELY TO TRANSFER APPLIED PRODUCT LOADS TO THE BUILDING STRUCTURE.

ANCHORS SHALL BE CORROSION RESISTANT, SPACED AS SHOWN ON DETAILS AND INSTALLED PER MANUF'S INSTRUCTIONS. SPECIFIED EMBEDMENT TO BASE MATERIAL SHALL BE BEYOND WALL DRESSING OR STUCCO.

A LOAD DURATION INCREASE IS USED IN DESIGN OF ANCHORS INTO WOOD ONLY.

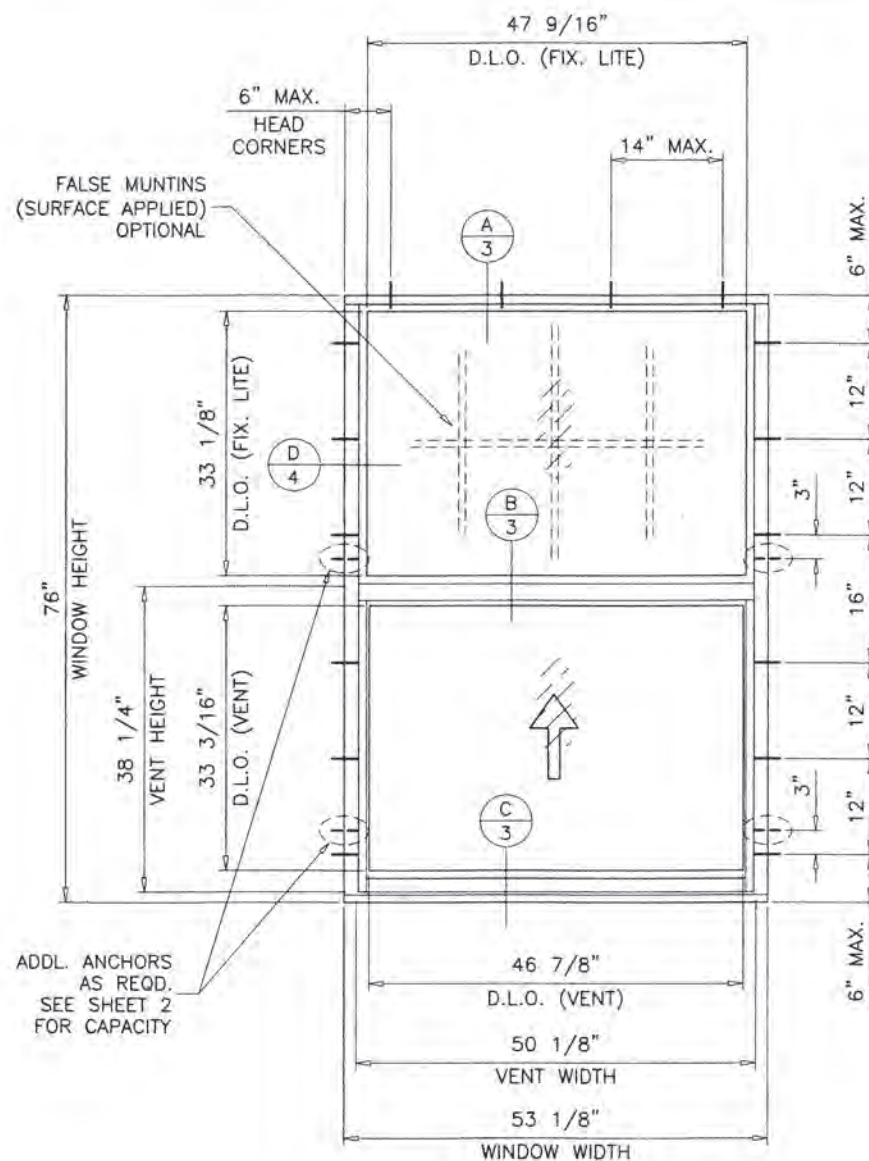
ALL SHIMS TO BE HIGH IMPACT, NON-METALLIC AND NON-COMPRESSIBLE.

MATERIALS INCLUDING BUT NOT LIMITED TO STEEL/METAL SCREWS, THAT COME INTO CONTACT WITH OTHER DISSIMILAR MATERIALS SHALL MEET THE REQUIREMENTS OF THE 2020/2023 FLORIDA BLDG. CODE & ADOPTED STANDARDS.

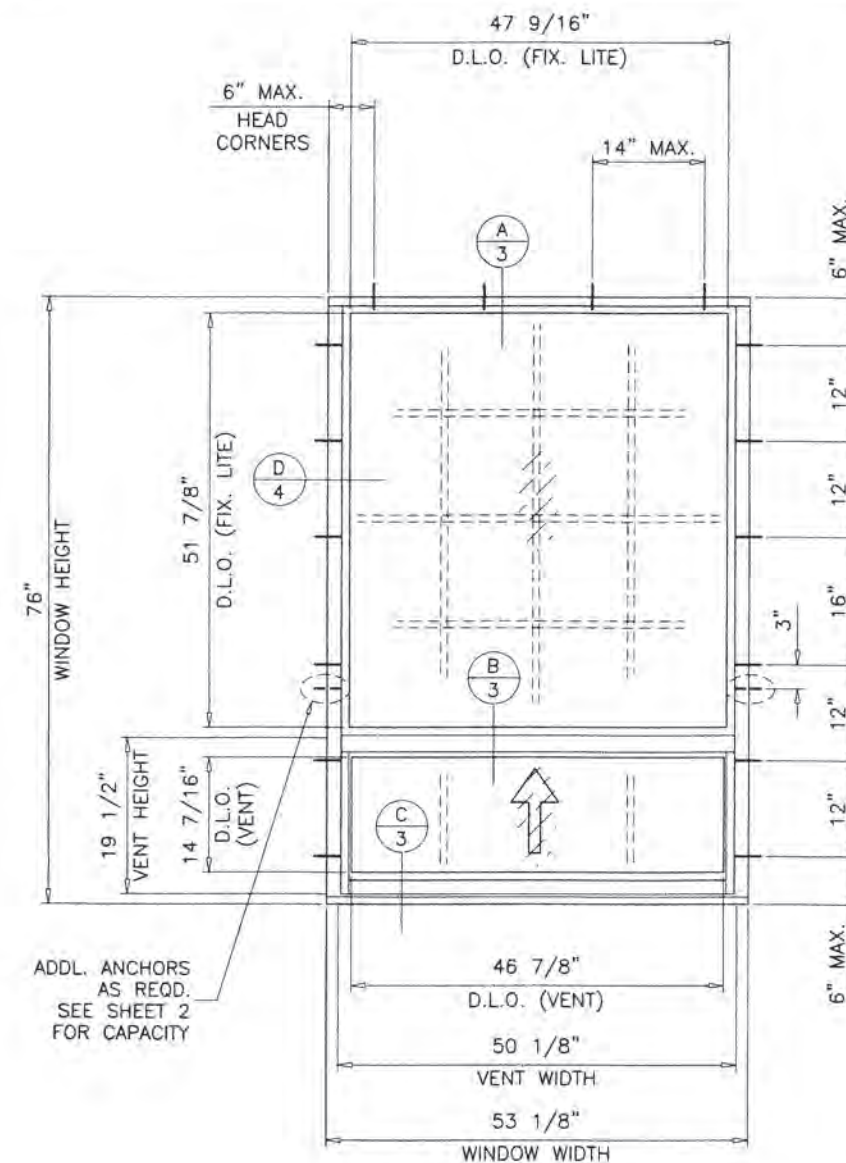
THIS PRODUCT APPROVAL IS GENERIC AND DOES NOT PROVIDE INFORMATION FOR A SITE SPECIFIC PROJECT, i.e. LIFE SAFETY OF THIS PRODUCT, ADEQUACY OF STRUCTURE RECEIVING THIS PRODUCT AND SEALING AROUND OPENING FOR WATER INFILTRATION RESISTANCE ETC.

CONDITIONS NOT SHOWN IN THIS DRAWING ARE TO BE ANALYZED SEPARATELY, AND TO BE REVIEWED BY BUILDING OFFICIAL.

DESIGN LOADS SHOWN ARE BASED ON 'ALLOWABLE STRESS DESIGN (ASD)'.



EQUAL LITES



UNEQUAL LITES (ORIEL TYPE)

TYPICAL ELEVATIONS

PRODUCT RENEWED
as complying with the Florida Building Code

NOA-No. **26-0311.02**

Expiration Date: **09/15/2030**

By: *Manuel Peres*
Miami-Dade Product Control

PRODUCT REVISED
as complying with the Florida Building Code

NOA-No. **23-0717.09**

Expiration Date **09/15/2025**

By: *[Signature]*
Miami-Dade Product Control

JUN 27 2023



THESE WINDOWS ARE RATED FOR LARGE & SMALL MISSILE IMPACT. SHUTTERS ARE NOT REQUIRED.

af c
AL-FAROOQ CORPORATION
ENGINEERS & PRODUCT DEVELOPMENT
9360 SUNSET DRIVE, SUITE 220
MIAMI, FLORIDA 33173 (C.A.N. 3538)
TEL. (305) 264-8100 FAX. (305) 262-6978
COMP-ANL\W10-33IWS

S-1280/1283 ALUM SINGLE HUNG WINDOW (L.M.I.)
Eurotech Industries Inc.
3801 S.W. 30th Ave, Bay 24
Hollywood, FL 33312
Tel. (954) 630-9967 Fax. (954) 630-0217

no	date	by	description
E	07.23.18	MANUF. NAME REV.	
F	01.23.20	MANUF. NAME REV.	
G	11.05.20	UPDATED TO 2020 FBC	
H	06.16.23	MANUF. NAME REV.	

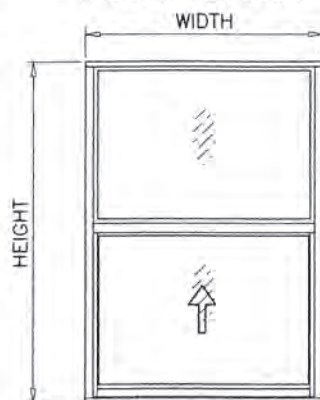
date: 06-02-10
scale: 1/2"=1'-0"
dr. by: TARIQ
chk. by:

drawing no.
W10-33
sheet 1 of 7

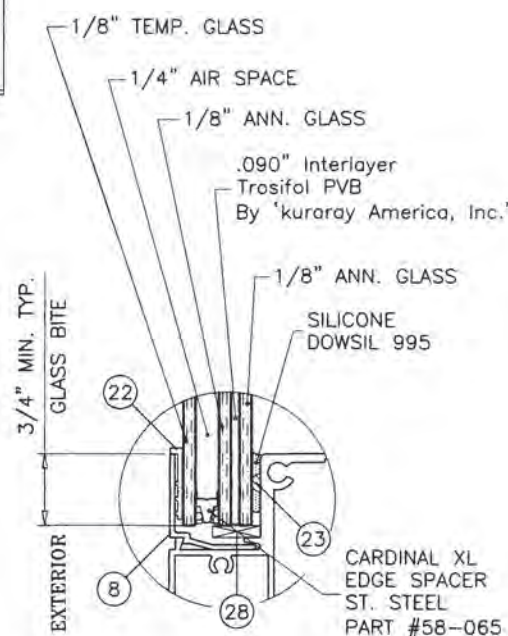
EQUAL LITES WINDOWS					
DESIGN LOAD CAPACITY - PSF					
FLANGE DIMS.		SERIES 1280		SERIES 1283	
WIDTH	HEIGHT	EXT.(+)	INT.(-)	EXT.(+)	INT.(-)
19-1/8"	26" (2)	65.0	72.5	90.0	130.0
24"		65.0	72.5	90.0	130.0
26-1/2"		65.0	72.5	90.0	130.0
32"		65.0	72.5	90.0	130.0
37"		65.0	72.5	90.0	130.0
40"		65.0	72.5	90.0	126.1*
48"		65.0	72.5	90.0	106.0*
53-1/8"		65.0	72.5	90.0	96.2*
19-1/8"	38-3/8" (4)	65.0	72.5	90.0	130.0
24"		65.0	72.5	90.0	130.0
26-1/2"		65.0	72.5	90.0	130.0
32"		65.0	72.5	90.0	130.0
37"		65.0	72.5	90.0	130.0
40"		65.0	72.5	90.0	130.0
48"		65.0	72.5	90.0	130.0
53-1/8"		65.0	72.5	90.0	127.9*
19-1/8"	50-5/8" (4)	65.0	72.5	90.0	130.0
24"		65.0	72.5	90.0	130.0
26-1/2"		65.0	72.5	90.0	130.0
32"		65.0	72.5	90.0	130.0
37"		65.0	72.5	90.0	130.0
40"		65.0	72.5	90.0	123.5*
48"		65.0	72.5	90.0	104.6*
53-1/8"		65.0	72.5	90.0	95.2*
19-1/8"	59" (6)	65.0	72.5	90.0	130.0
24"		65.0	72.5	90.0	130.0
26-1/2"		65.0	72.5	90.0	130.0
32"		65.0	72.5	90.0	130.0
37"		65.0	72.5	90.0	130.0
40"		65.0	72.5	90.0	130.0
48"		65.0	72.5	90.0	118.1*
53-1/8"		65.0	72.5	90.0	100.8*
19-1/8"	63" (6)	65.0	72.5	90.0	130.0
24"		65.0	72.5	90.0	130.0
26-1/2"		65.0	72.5	90.0	130.0
32"		65.0	72.5	90.0	130.0
37"		65.0	72.5	90.0	130.0
40"		65.0	72.5	90.0	130.0
48"		65.0	72.5	90.0	114.5*
53-1/8"		65.0	72.5	90.0	97.2*
19-1/8"	74-1/4" (6)	65.0	72.5	90.0	130.0
24"		65.0	72.5	90.0	130.0
26-1/2"		65.0	72.5	90.0	130.0
32"		65.0	72.5	90.0	130.0
37"		65.0	72.5	90.0	129.3*
40"		65.0	72.5	90.0	120.9*
48"		65.0	72.5	90.0	103.1*
53-1/8"		65.0	72.5	89.9	89.9*

EQUAL LITES WINDOWS					
DESIGN LOAD CAPACITY - PSF					
FLANGE DIMS.		SERIES 1280		SERIES 1283	
WIDTH	HEIGHT	EXT.(+)	INT.(-)	EXT.(+)	INT.(-)
19-1/8"	76" (6)	65.0	72.5	90.0	130.0
24"		65.0	72.5	90.0	130.0
26-1/2"		65.0	72.5	90.0	130.0
32"		65.0	72.5	90.0	130.0
37"		65.0	72.5	90.0	125.9*
40"		65.0	72.5	90.0	117.8*
48"		65.0	72.5	90.0	100.4*
53-1/8"		65.0	72.5	89.1	89.1*
19-1/8"	84" (8)	65.0	72.5	90.0	130.0
24"		65.0	72.5	90.0	130.0
26-1/2"		65.0	72.5	90.0	130.0
32"		65.0	72.5	90.0	130.0
37"		65.0	72.5	90.0	130.0
40"		65.0	72.5	90.0	130.0
48"		65.0	72.5	90.0	105.0*
53-1/8"		65.0	72.5	90.0	127.9*
19-1/8"	96" (8)	65.0	72.5	90.0	130.0
24"		65.0	72.5	90.0	130.0
26-1/2"		65.0	72.5	90.0	130.0
32"		65.0	72.5	90.0	130.0
37"		65.0	72.5	90.0	129.2*
40"		65.0	72.5	90.0	120.6*

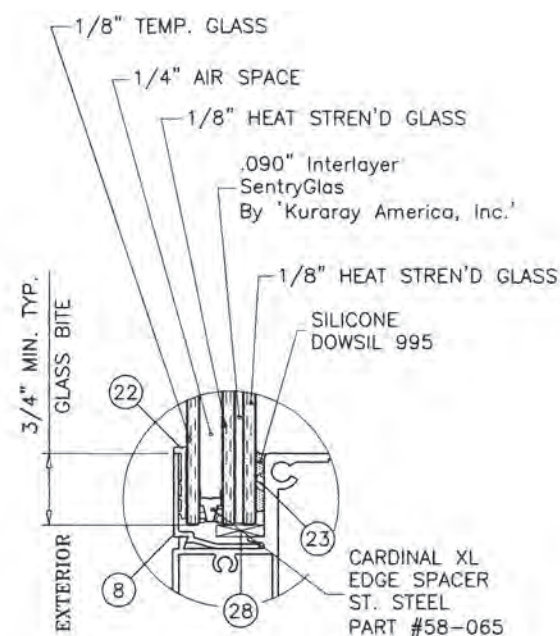
NO. IN PARENTHESIS INDICATE NO. OF ANCHORS PER JAMB.



EQUAL LITES



SERIES 1280



SERIES 1283

GLAZING OPTIONS

NOTE:
GLASS CAPACITIES ON THIS SHEET ARE
BASED ON ASTM E1300-09 (3 SEC. GUSTS)
AND FLORIDA BUILDING COMMISSION
DECLARATORY STATEMENT DCA05-DEC-219

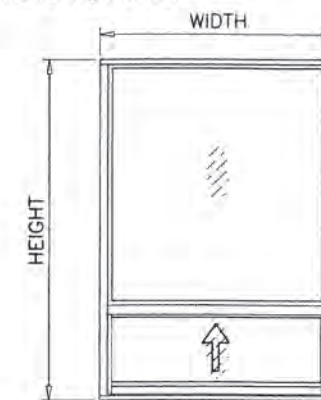
*
MAX. DESIGN LOAD CAPACITY = 130 PSF
WITH ADDITIONAL ANCHORS AT JAMBS
SEE ELEVATIONS ON SHEET 1

PRODUCT RENEWED
as complying with the Florida
Building Code
NOA-No. **26-0311.02**
Expiration Date: **09/15/2030**
By: *Manuel Perez*
Miami-Dade Product Control

PRODUCT REVISED
as complying with the Florida
Building Code
NOA-No. **23-0717.09**
Expiration Date **09/15/2025**
By: *[Signature]*
Miami-Dade Product Control

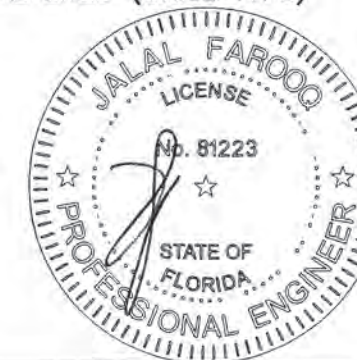
UNEQUAL LITES WINDOWS					
DESIGN LOAD CAPACITY - PSF					
FLANGE DIMS.		SERIES 1280		SERIES 1283	
WIDTH	HEIGHT	EXT.(+)	INT.(-)	EXT.(+)	INT.(-)
19-1/8"	50-5/8" (5)	65.0	72.5	90.0	130.0
24"		65.0	72.5	90.0	130.0
26-1/2"		65.0	72.5	90.0	130.0
32"		65.0	72.5	90.0	130.0
37"		65.0	72.5	90.0	130.0
40"		65.0	72.5	90.0	130.0
48"		65.0	72.5	90.0	130.0
53-1/8"		65.0	72.5	90.0	113.1*
19-1/8"	59" (5)	65.0	72.5	90.0	130.0
24"		65.0	72.5	90.0	130.0
26-1/2"		65.0	72.5	90.0	130.0
32"		65.0	72.5	90.0	130.0
37"		65.0	72.5	90.0	130.0
40"		65.0	72.5	90.0	130.0
48"		65.0	72.5	90.0	114.0*
53-1/8"		65.0	72.5	90.0	127.9*
19-1/8"	63" (6)	65.0	72.5	90.0	130.0
24"		65.0	72.5	90.0	130.0
26-1/2"		65.0	72.5	90.0	130.0
32"		65.0	72.5	90.0	130.0
37"		65.0	72.5	90.0	130.0
40"		65.0	72.5	90.0	130.0
48"		65.0	72.5	90.0	114.0*
53-1/8"		65.0	72.5	90.0	127.9*
19-1/8"	74-1/4" (7)	65.0	72.5	90.0	130.0
24"		65.0	72.5	90.0	130.0
26-1/2"		65.0	72.5	90.0	130.0
32"		65.0	72.5	90.0	130.0
37"		65.0	72.5	90.0	130.0
40"		65.0	72.5	90.0	130.0
48"		65.0	72.5	90.0	114.0*
53-1/8"		65.0	72.5	90.0	127.9*
19-1/8"	76" (7)	65.0	72.5	90.0	130.0
24"		65.0	72.5	90.0	130.0
26-1/2"		65.0	72.5	90.0	130.0
32"		65.0	72.5	90.0	130.0
37"		65.0	72.5	90.0	130.0
40"		65.0	72.5	90.0	130.0
48"		65.0	72.5	90.0	114.0*
53-1/8"		65.0	72.5	90.0	127.9*

NO. IN PARENTHESIS INDICATE NO. OF ANCHORS PER JAMB.



UNEQUAL LITES (ORIEL TYPE)

JUN 27 2023



AL-FAROOQ CORPORATION
ENGINEERS & PRODUCT DEVELOPMENT
9360 SUNSET DRIVE, SUITE 220
MIAMI, FLORIDA 33173 (C.A.N. 3538)
TEL. (305) 264-8100 FAX. (305) 262-6978
COMP-ANL\W10-33JWS

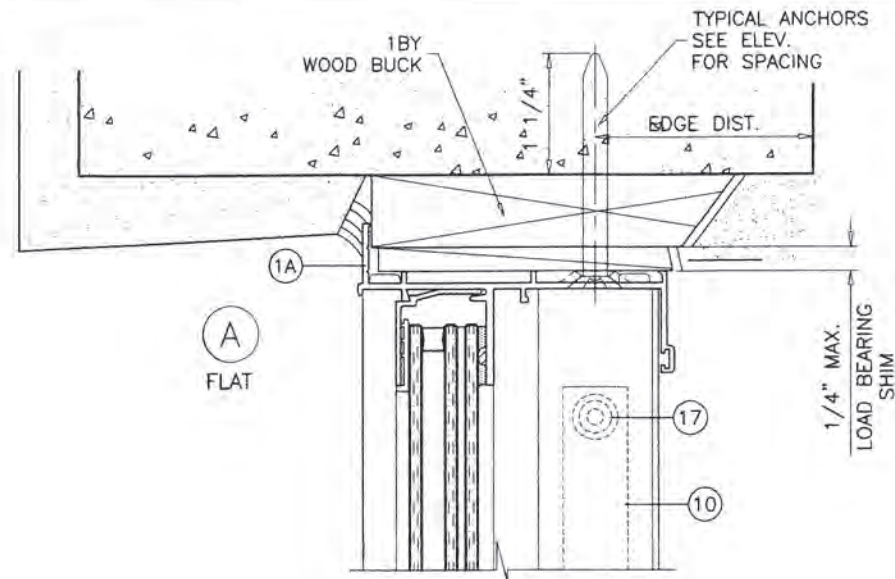
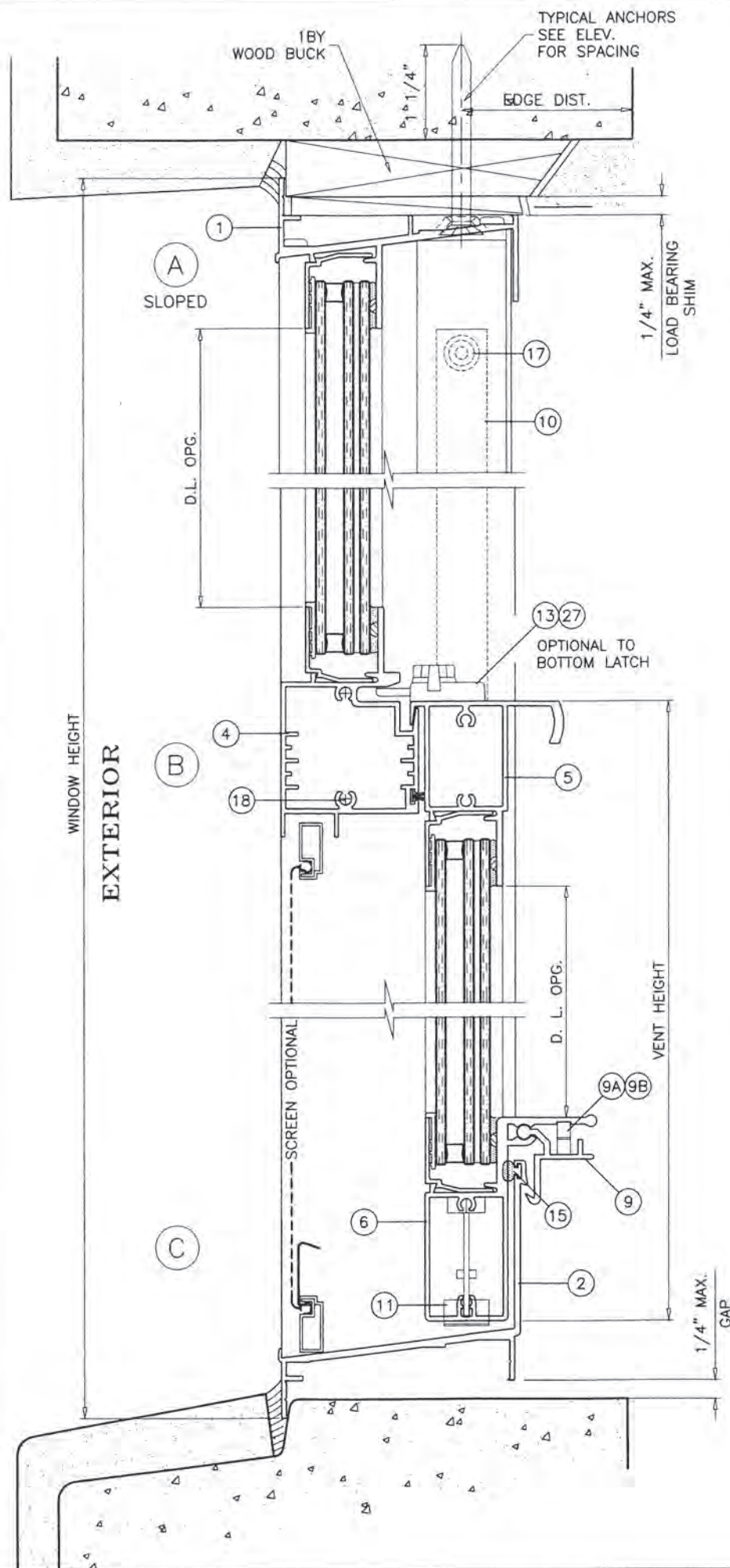
S-1280/1283 ALUM SINGLE HUNG WINDOW (L.M.I.)
Eurotech Industries Inc.
3801 S.W. 30th Ave, Bay 24
Hollywood, FL 33312
Tel. (954) 630-9967 Fax. (954) 630-0217

no.	date	description	by
E	07.23.18	MANUF. NAME REV.	
F	01.23.20	MANUF. NAME REV.	
G	11.05.20	UPDATED TO 2020 FBC	
H	06.16.23	MANUF. NAME REV.	

revisions:

date: 06-02-10
scale: -
dr. by: TARIO
chk. by: -

drawing no.
W10-33
sheet 2 of 7



WINDOW HEIGHT
EXTERIOR

(A)
SLOPED

(B)

(C)

(A)
FLAT

PRODUCT RENEWED
as complying with the Florida
Building Code
NOA-No. **26-0311.02**
Expiration Date: **09/15/2030**
By: *Manuel Ferrer*
Miami-Dade Product Control

PRODUCT REVISED
as complying with the Florida
Building Code
NOA-No. 23-0717.09
Expiration Date 09/15/2025
By: *[Signature]*
Miami-Dade Product Control

JUN 27 2023



SEALANT:
ALL JOINTS AND FRAME CONNECTIONS SEALED WITH
SCHNEE MOREHEAD SEAM SEALER SM5504.

af c
AL-FAROOQ CORPORATION
ENGINEERS & PRODUCT DEVELOPMENT
9360 SUNSET DRIVE, SUITE 220
MIAMI, FLORIDA 33173 (C.A.N. 3538)
TEL. (305) 264-8100 FAX. (305) 262-6978

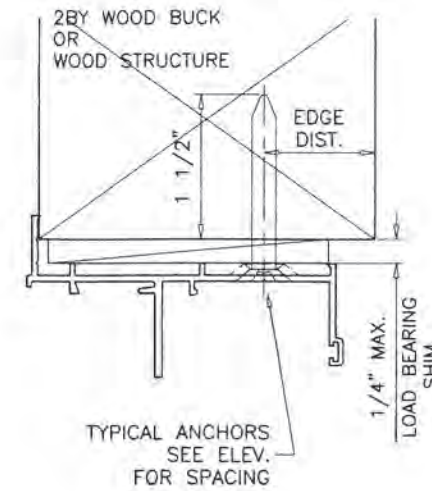
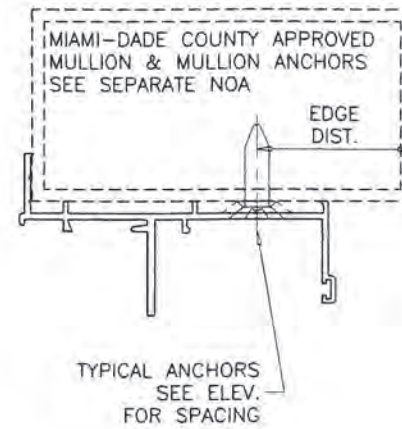
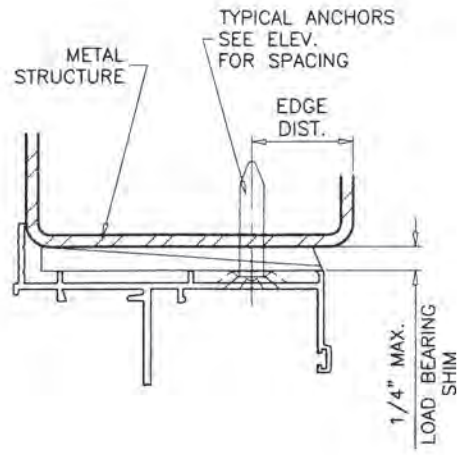
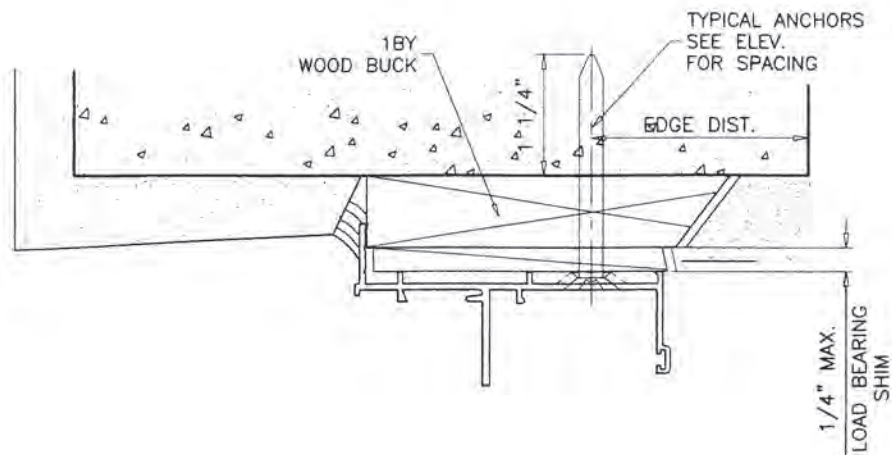
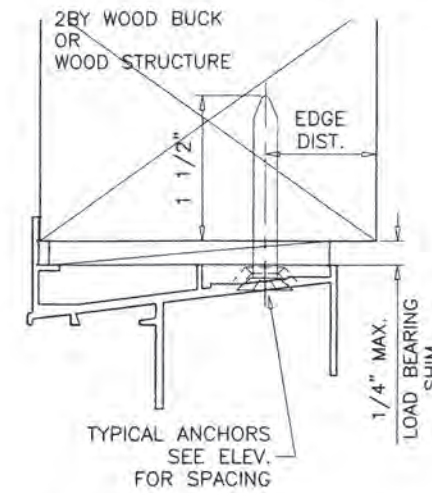
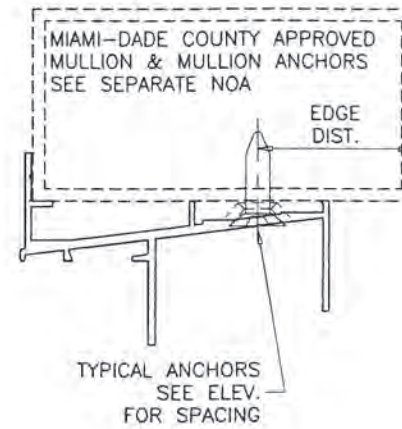
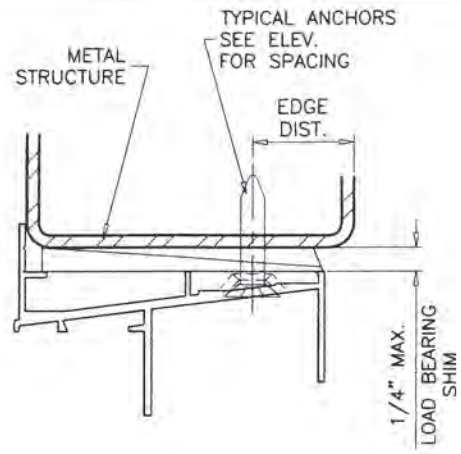
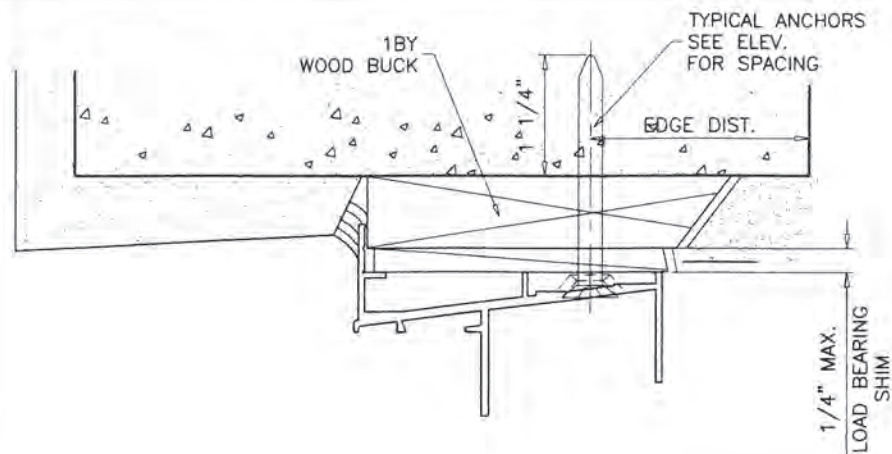
S-1280/1283 ALUM SINGLE HUNG WINDOW (L.M.I.)
Eurotech Industries Inc.
3801 S.W. 30th Ave, Bay 24
Hollywood, FL 33312
Tel. (954) 630-9967 Fax. (954) 630-0217

no	date	description	by
E	07.23.18	MANUF. NAME REV.	
F	01.23.20	MANUF. NAME REV.	
G	11.05.20	UPDATED TO 2020 FEC	
H	06.16.23	MANUF. NAME REV.	

date:	08-02-10
scale:	1/2" = 1"
dr. by:	TARIQ
chk. by:	

drawing no.	W10-33
sheet	3 of 7

COMP-ANL\W10-33IWS



TYPICAL ANCHORS: SEE ELEV. FOR SPACING

1/4" DIA. ULTRACON+ BY 'DEWALT' ($F_u=164$ KSI, $F_y=148$ KSI)
 INTO 2BY WOOD BUCKS OR WOOD STRUCTURES
 1-1/2" MIN. PENETRATION INTO WOOD (HEAD/JAMBS)

THRU 1BY BUCKS INTO CONC. OR BLOCKS
 1-1/4" MIN. EMBED INTO CONCRETE (HEAD/JAMBS)
 1-1/4" MIN. EMBED INTO BLOCKS (JAMBS)

DIRECTLY INTO CONCRETE OR BLOCKS
 1-1/4" MIN. EMBED INTO CONCRETE (HEAD/JAMBS)
 1-1/4" MIN. EMBED INTO BLOCKS (JAMBS)

#12 SMS OR SELF-DRILLING SCREWS (GRADE 2 CRS)
 INTO MIAMI-DADE COUNTY APPROVED MULLIONS
 OR
 INTO METAL STRUCTURES (HEAD/JAMBS)
 (3) THREADS MIN. TO EXTEND BEYOND METAL THICKNESS
 ALUMINUM: 1/8" THK. MIN. (6063-T5 MIN.)
 STEEL: 1/8" THK. MIN. ($F_y = 36$ KSI MIN.)
 (STEEL IN CONTACT WITH ALUMINUM TO BE PLATED OR PAINTED)

CRITICAL EDGE DISTANCE

INTO CONCRETE AND BLOCKS = 2-1/2" MIN.
 INTO WOOD STRUCTURE = 1" MIN.
 INTO METAL STRUCTURE = 3/4" MIN.

WOOD AT HEAD OR JAMBS SG = 0.55 MIN.
 CONCRETE AT HEAD OR JAMBS $f'_c = 3000$ PSI MIN.
 C-90 HOLLOW/FILLED BLOCK AT JAMBS $f'_m = 2000$ PSI MIN.

WOOD BUCKS AND METAL STRUCTURE NOT BY 'EUROTECH'
 MUST SUSTAIN LOADS IMPOSED BY GLAZING SYSTEM
 AND TRANSFER THEM TO THE BUILDING STRUCTURE.

PRODUCT RENEWED
 as complying with the Florida
 Building Code
 NOA-No. **26-0311.02**
 Expiration Date: **09/15/2030**
 By: *Manuel Perez*
 Miami-Dade Product Control

PRODUCT REVISED
 as complying with the Florida
 Building Code
 NOA-No. **23-0717.09**
 Expiration Date **09/15/2025**
 By: *CS*
 Miami-Dade Product Control

JUN 27 2023

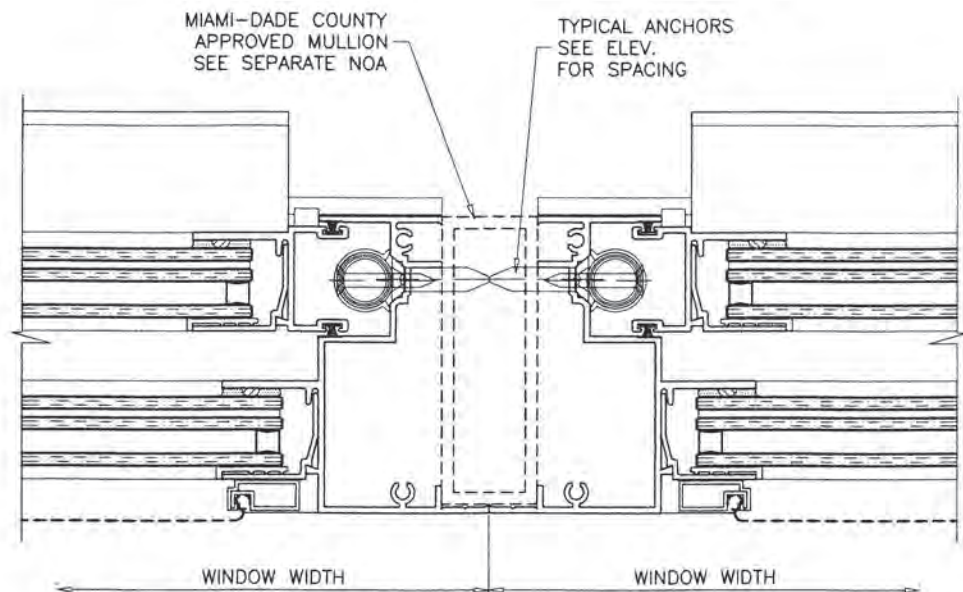


af c
AL-FAROOQ CORPORATION
 ENGINEERS & PRODUCT DEVELOPMENT
 9360 SUNSET DRIVE, SUITE 220 (C.A.N. 3538)
 MIAMI, FLORIDA 33173
 TEL. (305) 264-8100 FAX. (305) 262-6978
 COMP-ANL\W10-33JWS

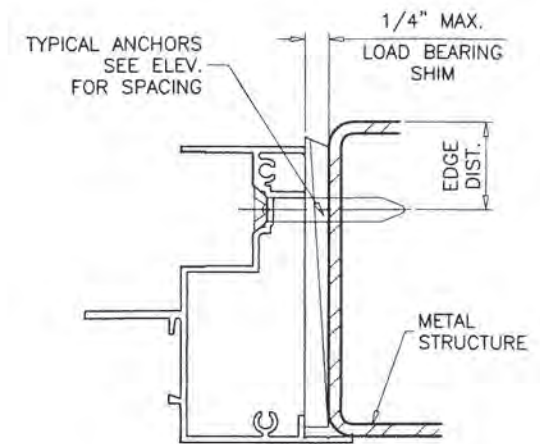
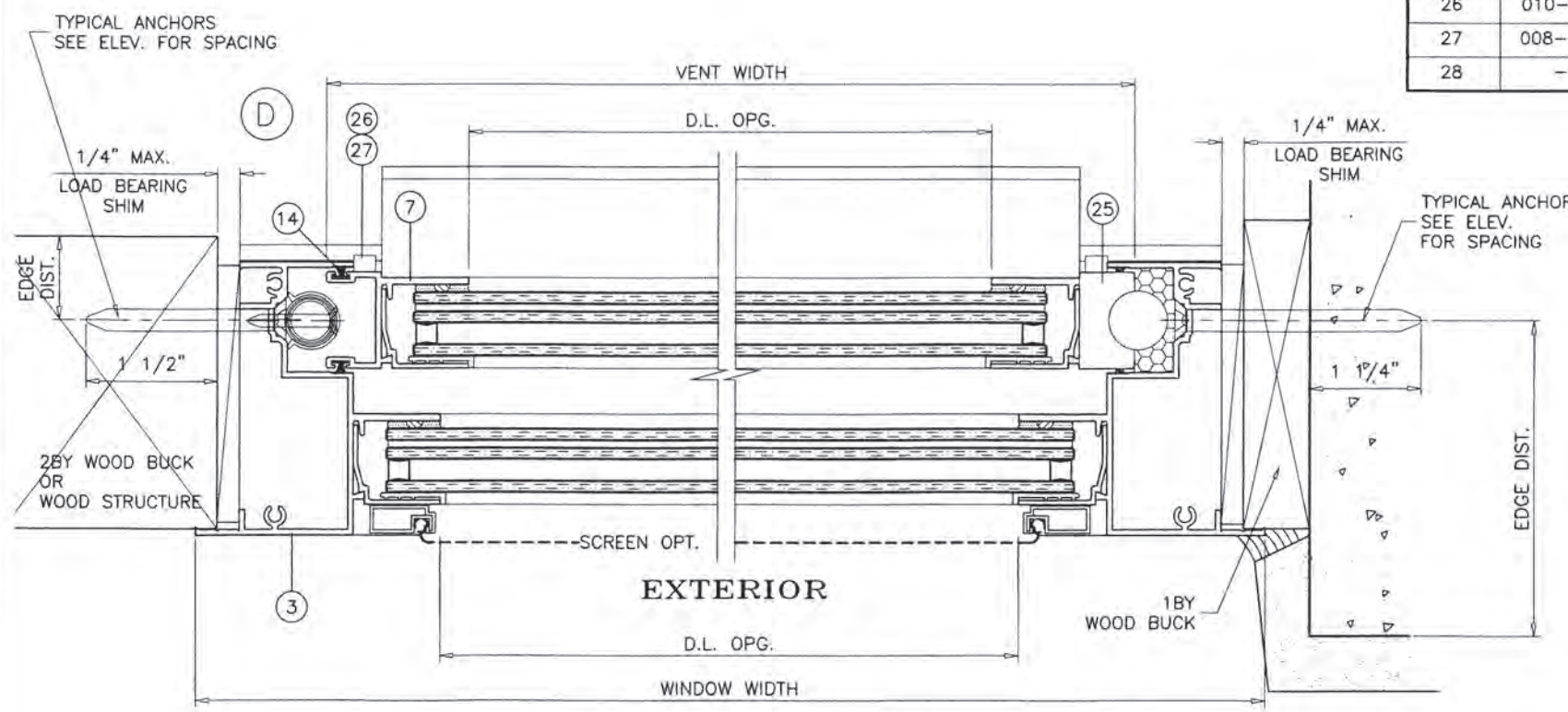
S-1280/1283 ALUM SINGLE HUNG WINDOW (L.M.I.)
Eurotech Industries Inc.
 3801 S.W. 30th Ave, Bay 24
 Hollywood, FL 33312
 Tel. (954) 630-9967 Fax. (954) 630-0217

no	date	description	by
E	07.23.18	MANUF. NAME REV.	
F	01.23.20	MANUF. NAME REV.	
G	11.05.20	UPDATED TO 2020 FBC	
H	06.16.23	MANUF. NAME REV.	

date: 06-02-10
 scale: 1/2" = 1"
 dr. by: TARIQ
 chk. by:
 drawing no. **W10-33**
 sheet 4 of 7



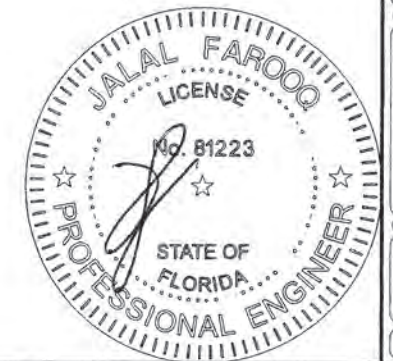
ITEM NO.	PART NO.	DESCRIPTION	MATERIAL	MANUF./SUPPLIER/REMARKS
1	021-101	FRAME HEAD (SLOPED)	6063-T6	
1A	021-104	FRAME HEAD (FLAT)	6063-T6	
2	021-002	SILL	6063-T6	
3	021-100	JAMB	6063-T6	
4	022-102	MTG. RAIL	6063-T5	
5	022-004	VENT TOP	6063-T5	
6	022-066	VENT BOTTOM	6063-T5	
7	021-003	VENT SIDE	6063-T5	
8	021-105	GLAZING BEAD	6063-T5	
9	021-067	SNAP LATCH ASSEMBLY, 3" LONG	6063-T5	2 PER VENT @ 7-1/4" FROM ENDS
9A	010-016	LATCH SPRING COVER	NYLON	M & M PLASTICS
9B	006-001	LATCH SPRING	ST. ST.	INDUSTRIAL SPRING
10		ULTRA LIFT BALANCE		CALDWELL MFG
11	004-005	UEK BRACKET	STEEL	CALDWELL MFG
12	010-001	SASH STOP	RIGID VINYL	MASTER TOOL
13	004-002	SWEEP LOCK (2) PER UNIT	METAL	SULLIVAN & ASSOC.
14	016-001	FIN SEAL	WOOL PILE	ULTRA FAB
15	023-001	FILLED BULB VINYL		AMESBURY
16	015-009	CHIMNEY PLUG	CLOSED CELL	FRANK LOWE RUBBR
17	008-014	#8X1 PPH SMS	ST/ST	
18	008-031	#10X1 PPH SMS	ST/ST	
19	012-001	SEAM SEALER SM5504	ACRYLIC	SCHNEE MOREHEAD
20	008-010	#8X1/2 UCFHPH SMS	ST/ST	
22	008-017	WEDGE VYNIL	VINYL	MASTER TOOL
23	015-012	.4X.4X.1 SPACER	VINYL	FRANK LOWE RUBBR
24	012-004	DOWSIL 995	SILICONE	-
25	010-010	SASH GUIDE TOP	RIGID PVC	M & M PLASTICS
26	010-011	SASH GUIDE BOT	RIGID PVC	M & M PLASTICS
27	008-002	LATCH INSTAL. SCREWS, #6X1/2 FHPH SMS	ST/ST	2 PER LATCH
28	-	SETTING BLOCKS AT 1/4 POINTS	EPDM	DUROMETER 80±5 SHORE A



PRODUCT REVISED
 as complying with the Florida
 Building Code
 NOA-No. 23-0717.09
 Expiration Date 09/15/2025
 By *[Signature]*
 Miami-Dade Product Control

PRODUCT RENEWED
 as complying with the Florida
 Building Code
 NOA-No. 26-0311.02
 Expiration Date: 09/15/2030
 By: *Manuel Perez*
 Miami-Dade Product Control

JUN 27 2023



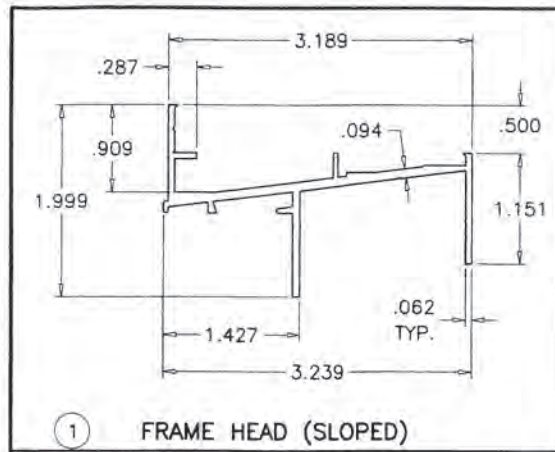
af c
AL-FAROOQ CORPORATION
 ENGINEERS & PRODUCT DEVELOPMENT
 9360 SUNSET DRIVE, SUITE 220 (C.A.N. 353B)
 MIAMI, FLORIDA 33173
 TEL. (305) 264-8100 FAX. (305) 262-6978
 COMP-ANL\W10-33IWS

S-1280/1283 ALUM SINGLE HUNG WINDOW (L.M.I.)
Eurotech Industries Inc.
 3801 S.W. 30th Ave, Bay 24
 Hollyhock, FL 33312
 Tel. (954) 630-9967 Fax. (954) 630-0217

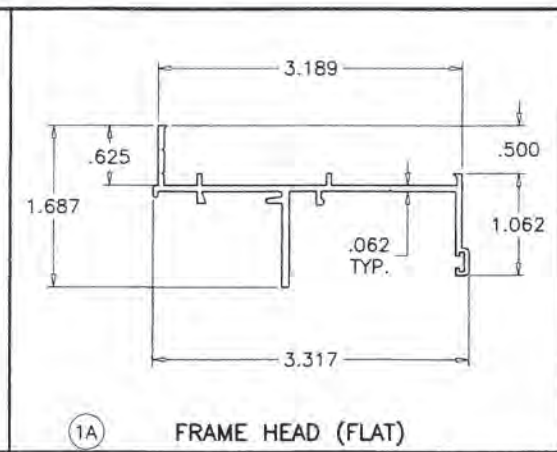
no	date	description	by
E	07.23.18	MANUF. NAME REV.	
F	01.23.20	MANUF. NAME REV.	
G	11.05.20	UPDATED TO 2020 FBC	
H	06.16.23	MANUF. NAME REV.	

date:	06-02-10	scale:	1/2" = 1"
dr. by:	TARIQ	chk. by:	

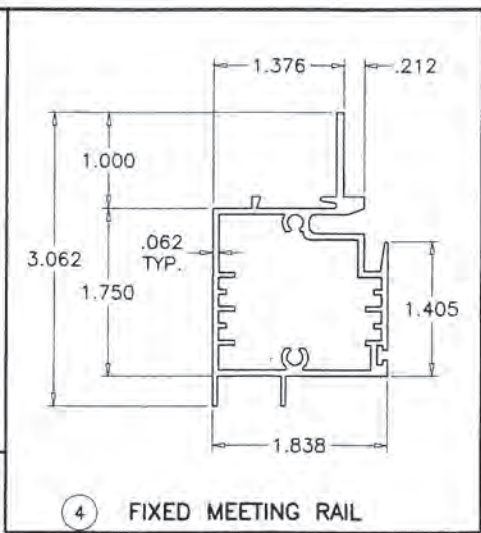
drawing no.	W10-33
sheet	5 of 7



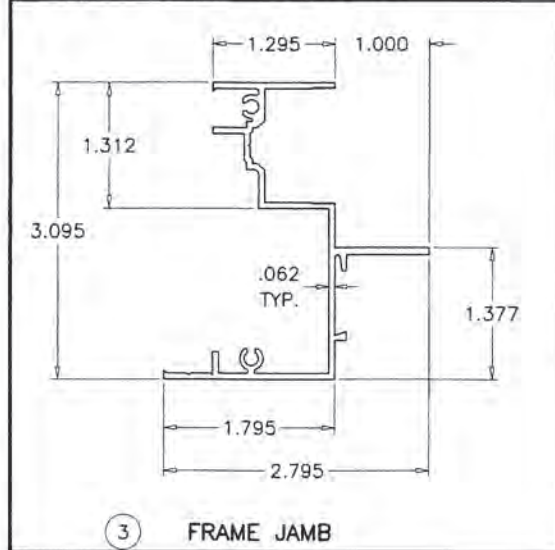
① FRAME HEAD (SLOPED)



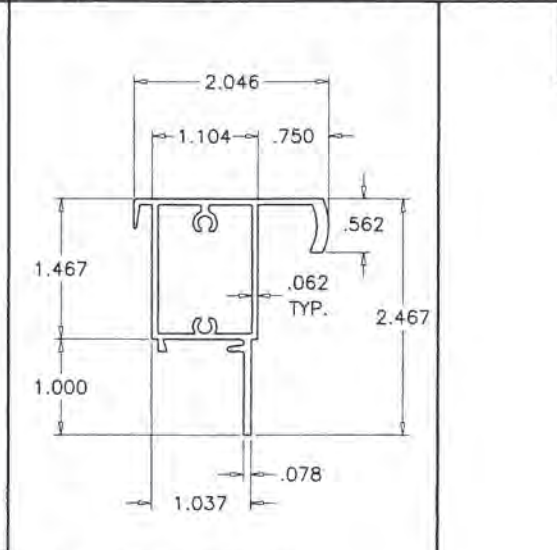
①A FRAME HEAD (FLAT)



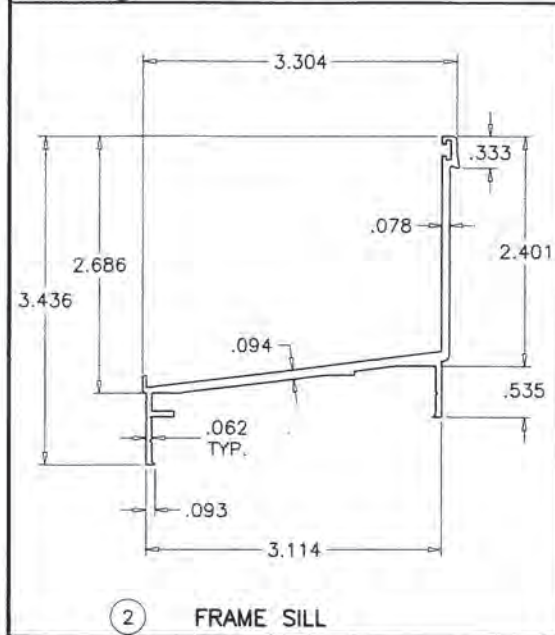
④ FIXED MEETING RAIL



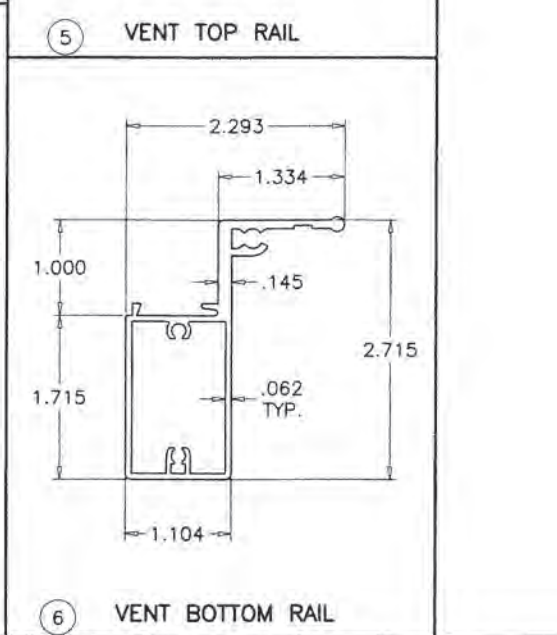
③ FRAME JAMB



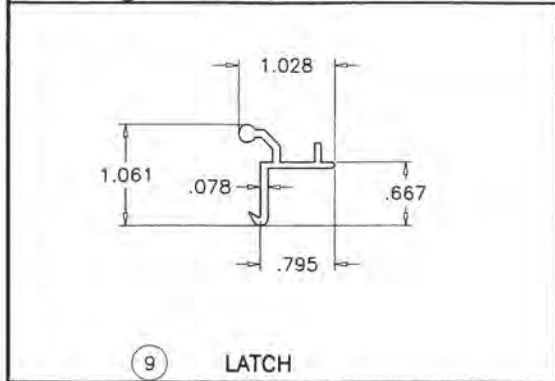
⑤ VENT TOP RAIL



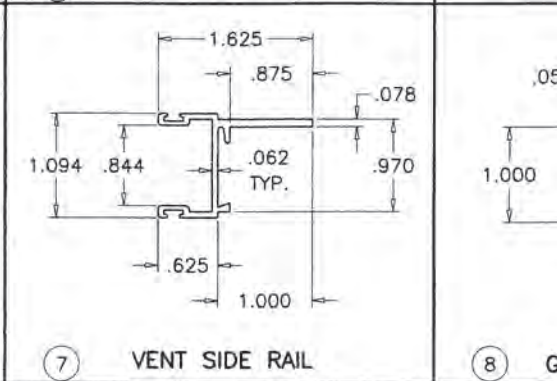
② FRAME SILL



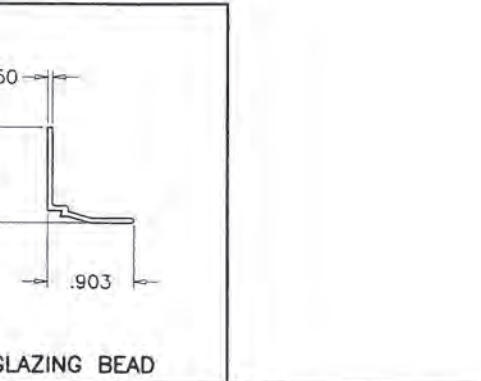
⑥ VENT BOTTOM RAIL



⑨ LATCH



⑦ VENT SIDE RAIL

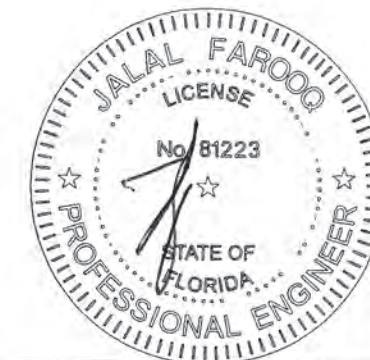


⑧ GLAZING BEAD

PRODUCT RENEWED
 as complying with the Florida
 Building Code
 NOA-No. **26-0311.02**
 Expiration Date: **09/15/2030**
 By: *Manuel Perez*
 Miami-Dade Product Control

PRODUCT REVISED
 as complying with the Florida
 Building Code
 NOA-No. 23-0717.09
 Expiration Date **09/15/2025**
 By: *[Signature]*
 Miami-Dade Product Control

JUN 27 2023



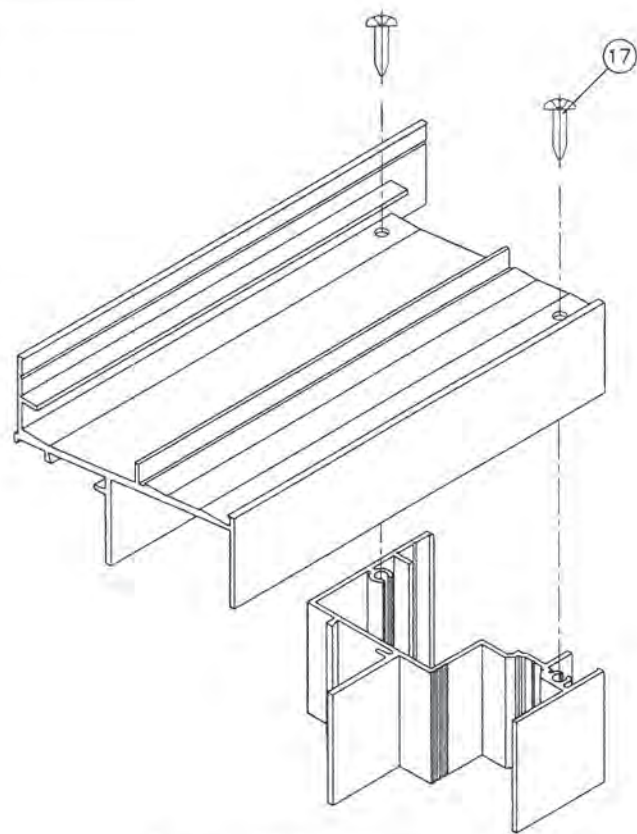
af c
AL-FAROOQ CORPORATION
 ENGINEERS & PRODUCT DEVELOPMENT
 9360 SUNSET DRIVE, SUITE 220
 MIAMI, FLORIDA 33173 (C.A.N. 3538)
 TEL. (305) 264-8100 FAX. (305) 262-6978
 COMP-ANL\W10-33IWS

S-1280/1283 ALUM SINGLE HUNG WINDOW (L.M.I.)
Eurotech Industries Inc.
 3801 S.W. 30th Ave, Bay 24
 Hollywood, FL 33312
 Tel. (954) 630-9967 Fax. (954) 630-0217

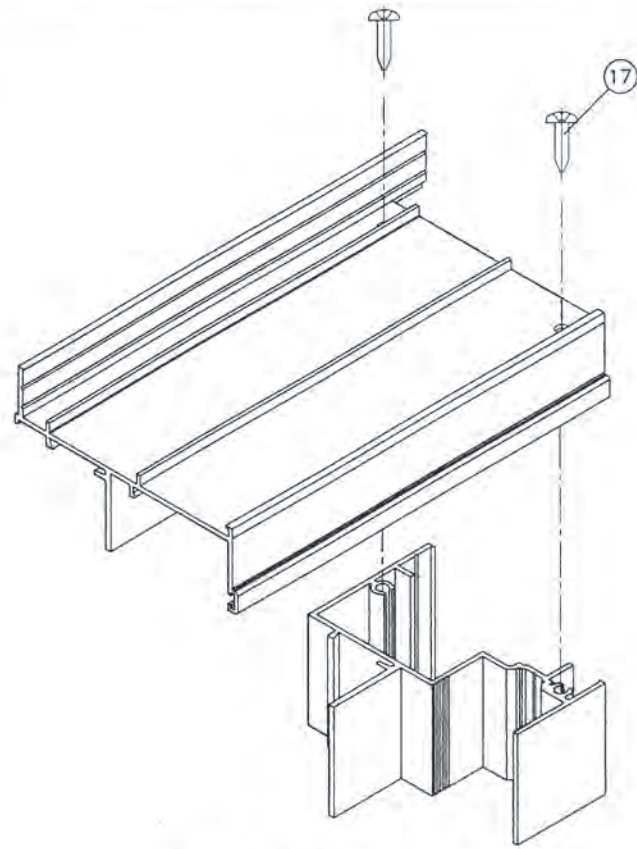
no	date	description	by
E	07.23.18	MANUF. NAME REV.	
F	01.23.20	MANUF. NAME REV.	
G	11.05.20	UPDATED TO 2020 FBC	
H	06.16.23	MANUF. NAME REV.	

date:	06-02-10
scale:	1/2" = 1"
dr. by:	TARIQ
chk. by:	

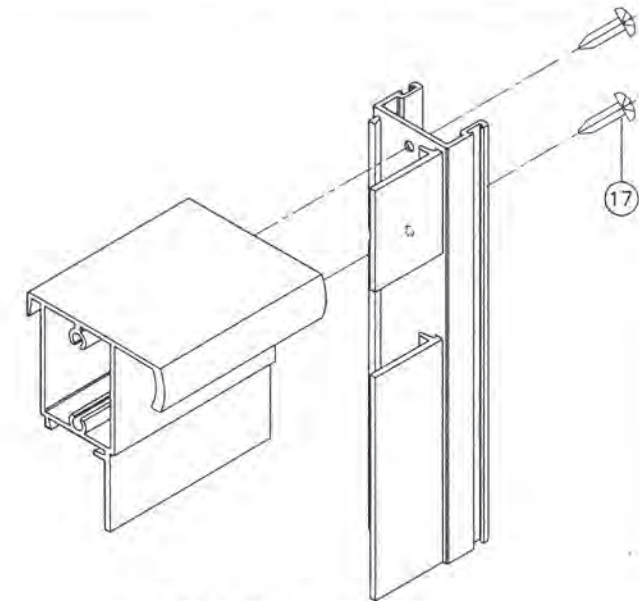
drawing no.	W10-33
sheet	6 of 7



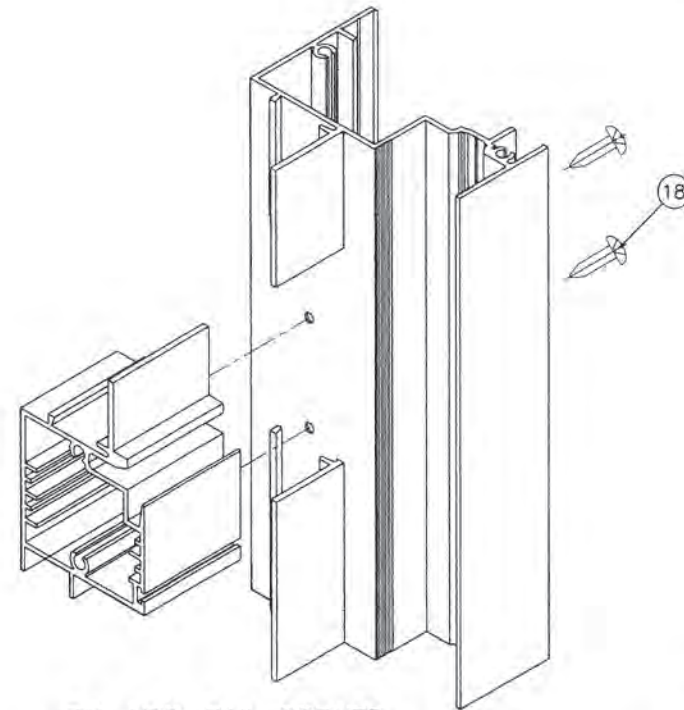
FRAME HEAD (SLOPED) CORNER



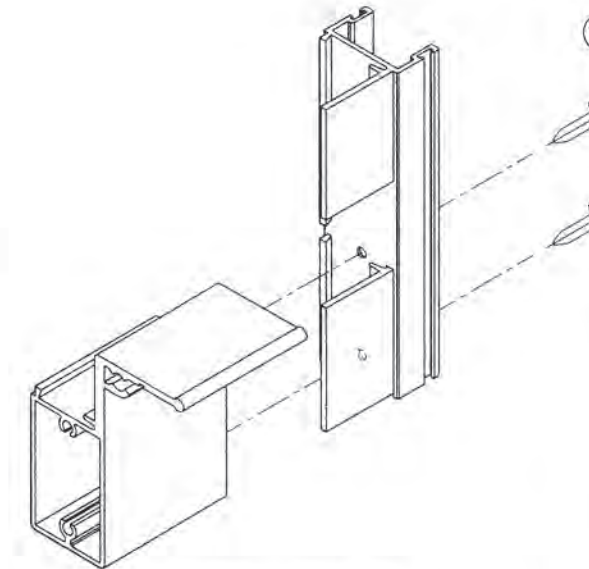
FRAME HEAD (FLAT) CORNER



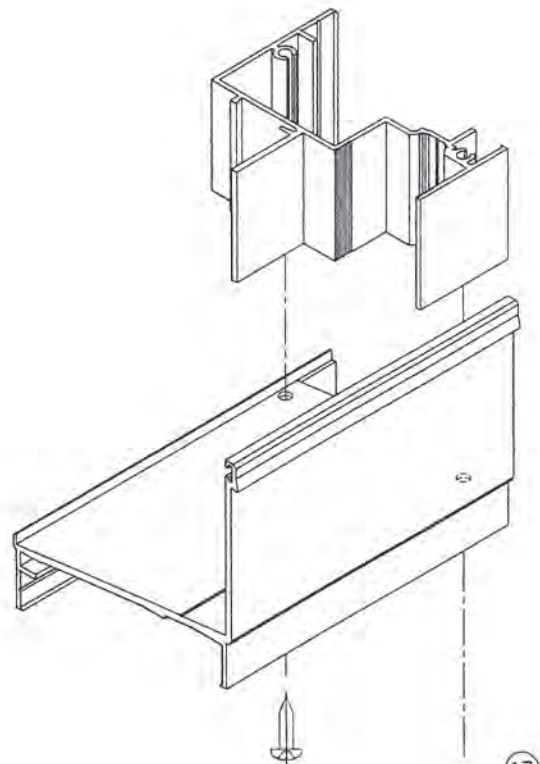
VENT TOP CORNER



FIX. MTG. RAIL CORNER



VENT BOTTOM CORNER



FRAME BOTTOM CORNER

PRODUCT RENEWED
 as complying with the Florida
 Building Code
 NOA-No. 26-0311.02
 Expiration Date: 09/15/2030
 By: Manuel Torres
 Miami-Dade Product Control

PRODUCT REVISED
 as complying with the Florida
 Building Code
 NOA-No. 23-0717.09
 Expiration Date 09/15/2025
 By: [Signature]
 Miami-Dade Product Control

JUN 27 2023



af c
AL-FAROOQ CORPORATION
 ENGINEERS & PRODUCT DEVELOPMENT
 9360 SUNSET DRIVE, SUITE 220
 MIAMI, FLORIDA 33173 (C.A.N. 3538)
 TEL. (305) 264-8100 FAX. (305) 262-6978
 COMP-ANL W10-33IWS

S-1280/1283 ALUM SINGLE HUNG WINDOW (L.M.I.)
Eurotech Industries Inc.
 3801 S.W. 30th Ave, Bay 24
 Hollywood, FL 33312
 Tel. (954) 630-9967 Fax. (954) 630-0217

no	date	by	description
E	07.23.18		MANUF. NAME REV.
F	01.23.20		MANUF. NAME REV.
G	11.05.20		UPDATED TO 2020 FBC
H	06.16.23		MANUF. NAME REV.

date: 06-02-10
 scale: 1/2" = 1"
 dr. by: TARIQ
 chk. by:
 drawing no.
W10-33
 sheet 7 of 7