



DEPARTMENT OF REGULATORY AND ECONOMIC RESOURCES (RER)
BOARD AND CODE ADMINISTRATION DIVISION

NOTICE OF ACCEPTANCE (NOA)

MIAMI-DADE COUNTY
PRODUCT CONTROL SECTION
11805 SW 26 Street, Room 208
Miami, Florida 33175-2474
T (786) 315-2590 F (786) 315-2599
www.miamidade.gov/building

Clopay Corporation
8585 Duke Boulevard
Mason, OH 45040

SCOPE: This NOA is being issued under the applicable rules and regulations governing the use of construction materials. The documentation submitted has been reviewed and accepted by Miami-Dade County RER-Product Control Section to be used in Miami Dade County and other areas, where allowed by the Authority Having Jurisdiction (AHJ).

This NOA shall not be valid after the expiration date stated below. The Miami-Dade County Product Control Section (In Miami Dade County) and/or the AHJ (in areas other than Miami Dade County) reserve the right to have this product or material tested for quality assurance purposes. If this product or material fails to perform in the accepted manner, the manufacturer will incur the expense of such testing and the AHJ may immediately revoke, modify, or suspend the use of such product or material within their jurisdiction. RER reserves the right to revoke this acceptance if it is determined by Miami-Dade County Product Control Section that this product or material fails to meet the requirements of the applicable building code.

This product is approved as described herein and has been designed to comply with the Florida Building Code, including the High Velocity Hurricane Zone.

DESCRIPTION: 2in Steel Pan W6 DP36 Sectional Garage Door up to 16ft-2in Wide w/ Optional Impact Resistant Lites

APPROVAL DOCUMENT: Drawing No. **104791**, titled “2” Gallery Pan Doors 16’2” W”, sheets 1 and 4 of 4, dated 05/01/13, with revision **07** dated 05/05/26, prepared by manufacturer, signed, and sealed by James D. Wheeler, P.E. on 05/21/2026, bearing the Miami-Dade County Product Control Revision stamp with the Notice of Acceptance number and expiration date by the Miami-Dade County Product Control Section.

MISSILE IMPACT RATING: Large and Small Missile Impact Resistant

LABELING: Each unit shall bear a permanent label with the manufacturer’s name or logo, manufacturing address, model number, the positive and negative design pressure rating, indicate impact rated if applicable, installation instruction drawing reference number, approval number (NOA), the applicable test standards, and the statement reading ‘Miami-Dade County Product Control Approved’ is to be located on the door’s side track, bottom angle, or inner surface of a panel.

RENEWAL of this NOA shall be considered after a renewal application has been filed and there has been no change in the applicable building code negatively affecting the performance of this product.

TERMINATION of this NOA will occur after the expiration date or if there has been a revision or change in the materials, use, and/or manufacture of the product or process. Misuse of this NOA as an endorsement of any product, for sales, advertising or any other purposes shall automatically terminate this NOA. Failure to comply with any section of this NOA shall be cause for termination and removal of NOA.

ADVERTISEMENT: The NOA number preceded by the words Miami-Dade County, Florida, and followed by the expiration date may be displayed in advertising literature. If any portion of the NOA is displayed, then it shall be done in its entirety.

INSPECTION: A copy of this entire NOA shall be provided to the user by the manufacturer or its distributors and shall be available for inspection at the job site at the request of the Building Official.

This NOA **revises NOA-No. 23-0928.81** and consists of this page 1 and evidence page E-1, E-2, E-3, E-4 and E-5, as well as approval document mentioned above.

The submitted documentation was reviewed by **Carlos M. Utrera, P.E.**



06/03/2026

NOA-No. 26-0313.06
Expiration Date: August 01, 2028
Approval Date: June 11, 2026
Page 1

Clopay Corporation

NOTICE OF ACCEPTANCE: EVIDENCE SUBMITTED

1. EVIDENCE SUBMITTED UNDER PREVIOUS NOA's

A. DRAWINGS

1. Manufacturer's die drawings and sections.
(Submitted under NOA No. 13-0510.04)
2. Drawing No. **104791**, titled "2" Gallery Pan Doors 16'2" W", sheets 1 and 4 of 4, dated 05/01/13, with revision **05** dated 08/28/20, prepared by manufacturer, signed, and sealed by Scott Hamilton, P.E. on 09/10/20.
(Submitted under NOA No. 20-0922.34)

B. TESTS

1. Addendum letter to Test Report No. **ATLNC 0220-01-13**, dated 06/18/13, signed and sealed by David W. Johnson, P.E.
(Submitted under NOA No. 13-0510.04)
2. Test reports on: 1) Uniform Static Air Pressure Test, Loading per FBC, TAS 202-94
2) Large Missile Impact Test per FBC, TAS 201-94
3) Cyclic Wind Pressure Loading per FBC, TAS 203-94
4) Forced Entry Test, per FBC 2411 3.2.1, TAS 202-94
5) Tensile Test per ASTM E8
along with marked-up drawings and installation diagram of 16'2"x 8', 24ga steel garage door Model GD4SW8 with windows, prepared by American Test Lab, Inc., Test Report No. **ATLNC 0220-01-13**, dated 04/29/13, signed, and sealed by David W. Johnson, P.E.
(Submitted under NOA No. 13-0510.04)
3. Test report on Salt Spray per ASTM B117 of painted G40 galvanized coated panels, prepared by Stork Materials Technology, Test Report No. **30160-04-63365**, dated 01/26/05, signed by John D. Lee, P.E.
(Submitted under NOA No. 13-0510.04)

C. CALCULATIONS

1. Jamb anchor calculations prepared by Clopay Building Products Company, dated 05/03/13, signed and sealed by Scott Hamilton, P.E.
(Submitted under NOA No. 13-0510.04)

D. QUALITY ASSURANCE

1. Miami-Dade Department of Regulatory and Economic Resources (RER).



Carlos M. Utrera, P.E.
Product Control Examiner
NOA-No. 26-0313.06
Expiration Date: August 01, 2028
Approval Date: June 11, 2026

Clopay Corporation

NOTICE OF ACCEPTANCE: EVIDENCE SUBMITTED

1. EVIDENCE SUBMITTED UNDER PREVIOUS NOA's (CONTINUED)

E. MATERIAL CERTIFICATIONS

1. Notice of Acceptance No. **15-0915.08** issued to SABIC Innovative Plastics US, LLC for their Lexan Polycarbonate Sheet Products, approved on 12/10/15, expiring on 07/17/18.
2. Notice of Acceptance No. **17-0410.01** issued to Bayer Material Science LLC (MA) for their Makrolon Polycarbonate Sheets, approved on 06/08/17, expiring on 08/27/22.

F. STATEMENTS

1. Statement letters of code conformance to **6th Edition (2017) and 7th Edition (2020) FBC**, issued by Clopay Corporation, dated 09/15/20, signed, and sealed by Scott Hamilton, P.E.
(Submitted under NOA No. 20-0922.34)
2. Certificate of amendment changing the company name from Clopay Building Products Company, Inc. to Clopay Corporation, issued by the State of Delaware, dated 08/27/19.
(Submitted under NOA No. 20-0922.34)

G. OTHERS

1. Notice of Acceptance No. **18-0522.02**, issued to Clopay Building Products Company for their 2" Gallery Steel Pan W8 DP46T Sectional Garage Door up to 16'-2" Wide w/ Optional Impact Resistant Lites, approved on 07/05/18 and expiring on 08/01/23.



Carlos M. Utrera, P.E.
Product Control Examiner
NOA-No. 26-0313.06
Expiration Date: August 01, 2028
Approval Date: June 11, 2026

Clopay Corporation

NOTICE OF ACCEPTANCE: EVIDENCE SUBMITTED

2. EVIDENCE SUBMITTED UNDER PREVIOUS NOA's

A. DRAWINGS

1. Drawing No. **104791**, titled "2" Gallery Pan Doors 16'2" W", sheets 1 and 4 of 4, dated 05/01/13, with revision **05** dated 08/28/20, prepared by manufacturer, signed, and sealed by Scott Hamilton, P.E. on 04/06/23.

B. TESTS

1. None.

C. CALCULATIONS

1. None.

D. QUALITY ASSURANCE

1. Miami-Dade Department of Regulatory and Economic Resources (RER).

E. MATERIAL CERTIFICATIONS

1. Notice of Acceptance No. **21-1109.01** issued to **Sabic Innovative Plastic, US, LLC** for their "**LEXAN® Polycarbonate Sheet Products**" dated 04/07/22, expiring on 04/01/26.
2. Notice of Acceptance No. **22-0317.02** issued to **Plaskolite, LLC** for their "**TUFFAK Polycarbonate Sheets**" dated 04/21/22 expiring on 08/27/27.

F. STATEMENTS

1. Statement letter of code conformance to **6th Edition (2017)** and **7th Edition (2020)** **FBC**, issued by manufacturer, dated 04/06/23, signed, and sealed by Scott Hamilton, P.E.
2. Statement letter of no financial interest, issued by manufacturer, dated 04/06/23, signed and sealed by Scott Hamilton, P.E.

G. OTHERS

1. Notice of Acceptance No. **20-0922.34**, issued to Clopay Corporation for their 2in Gallery Steel Pan W8 DP46T Sectional Garage Door up to 16ft-2in Wide w/ Optional Impact Resistant Lites, approved on 11/25/20 and expiring on 08/01/23.



Carlos M. Utrera, P.E.
Product Control Examiner
NOA-No. 26-0313.06
Expiration Date: August 01, 2028
Approval Date: June 11, 2026

Clopay Corporation

NOTICE OF ACCEPTANCE: EVIDENCE SUBMITTED

3. EVIDENCE SUBMITTED UNDER # 23-0928.81

A. DRAWINGS

1. Drawing No. **104791**, titled “2” Gallery Pan Doors 16’2” W”, sheets 1 and 4 of 4, dated 05/01/13, with revision **06** dated 09/07/23, prepared by manufacturer, signed and sealed by Scott Hamilton, P.E.

B. TESTS

1. None.

C. CALCULATIONS

1. None.

D. QUALITY ASSURANCE

1. Miami-Dade Department of Regulatory and Economic Resources (RER).

E. MATERIAL CERTIFICATIONS

1. None.

F. STATEMENTS

1. Statement letter of code conformance to **7th Edition (2020)** and **8th Edition (2023)** **FBC**, issued by manufacturer, dated 09/15/23, signed, and sealed by Scott Hamilton, P.E.

G. OTHERS

1. Notice of Acceptance No. **23-0411.01**, issued to Clopay Corporation for their 2in Gallery Steel Pan W8 DP46T Sectional Garage Door up to 16ft-2in Wide w/ Optional Impact Resistant Lites, approved on 05/18/23 and expiring on 08/01/28.



Carlos M. Utrera, P.E.
Product Control Examiner
NOA-No. 26-0313.06
Expiration Date: August 01, 2028
Approval Date: June 11, 2026

Clopay Corporation

NOTICE OF ACCEPTANCE: EVIDENCE SUBMITTED

4. NEW EVIDENCE SUBMITTED

A. DRAWINGS

1. Drawing No. **104791**, titled “2” Gallery Pan Doors 16’2” W”, sheets 1 and 4 of 4, dated 05/01/13, with revision **07** dated 05/05/26, prepared by manufacturer, signed and sealed by James D. Wheeler, P.E. on 05/21/2026.

B. TESTS

1. Test reports on 1) Uniform Static Air Pressure Test, Loading per FBC TAS 202-94
2) Large Missile Impact Test per FBC, TAS 201-94
3) Cyclic Wind Pressure Loading per FBC, TAS 203-94
4) Forced Entry Test, per FBC, TAS 202-94
5) Tensile Test per ASTM E8

along with marked-up drawings and installation diagram of 9’x 8’, 24ga steel garage door Model GD4S with Polycarbonate windows, prepared by American Test Lab, Inc., Test Report No. **ATLNC 0909.01-25**, dated 10/15/2025, signed and sealed by David W. Johnson, P.E.

C. CALCULATIONS

1. None.

D. QUALITY ASSURANCE

1. Miami-Dade Department of Regulatory and Economic Resources (RER).

E. MATERIAL CERTIFICATIONS

1. NOA-No. **26-0410.01** issued to F&S US LLC for their Lexan Polycarbonate Sheet Products, approved on 05/14/2026, expiring on 04/01/2031.
2. NOA-No. **24-0205.09** issued to Plaskolite, LLC for their TUFFAK Polycarbonate Sheets, approved on 05/09/2024, expiring on 8/27/2027.



Carlos M. Utrera, P.E.
Product Control Examiner
NOA-No. 26-0313.06
Expiration Date: August 01, 2028
Approval Date: June 11, 2026

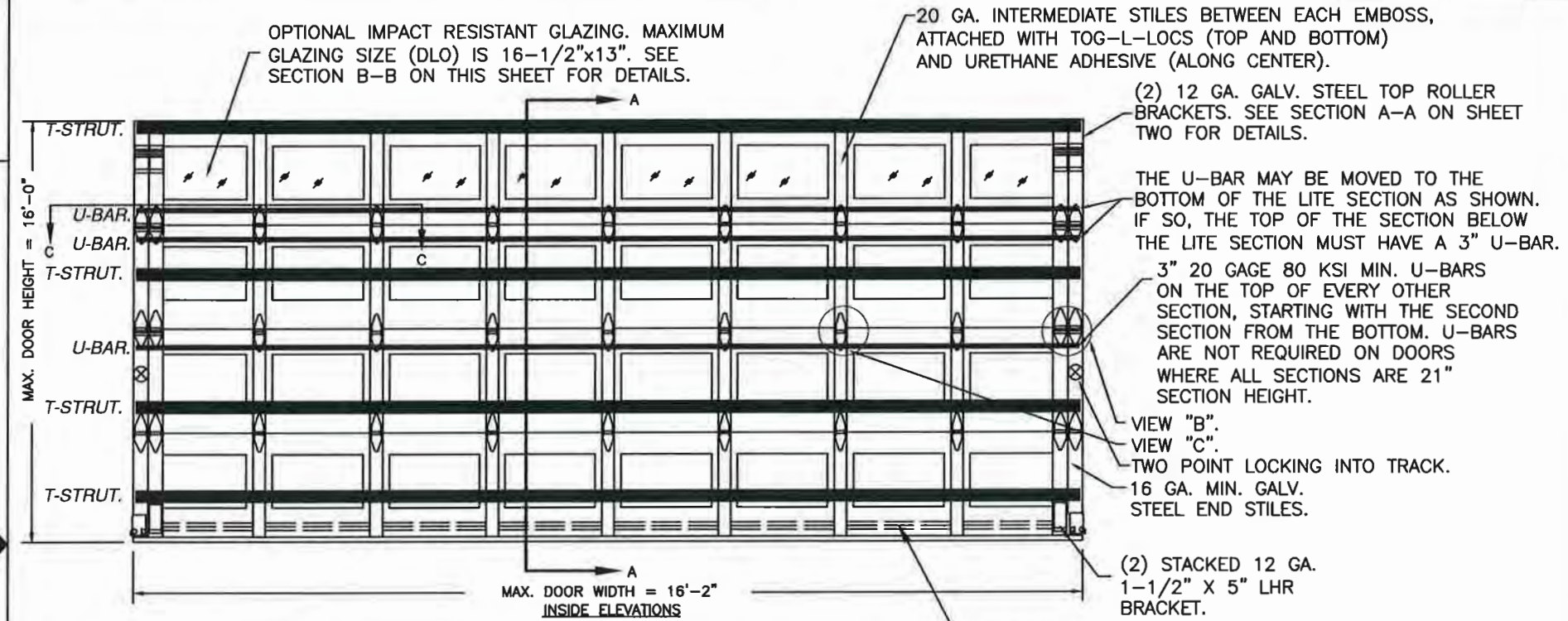
The following pages in this document were submitted by the manufacturer (third party) to represent the product being approved and establish the limits of use. The pages may include technical drawings, schematics and installation details.

MODELS	SHORT	Bridgeport	FLUSH DOOR
CLOPAY GALLERY	GD4S, GR4S	BD4N, BR4N, BD4C, BR4C	4F4
HOLMES ARTISTRY	AR4S	PR4N, PR4C	---
IDEAL EXPRESSIONS	ED4S	RR4N, RR4C	---
SEE SHEET 5 FOR "GRAND HARBOR" MODELS.			

THIS PRODUCT CONFORMS TO THE REQUIREMENTS OF 7TH AND 8TH EDITION OF THE FLORIDA BUILDING CODE

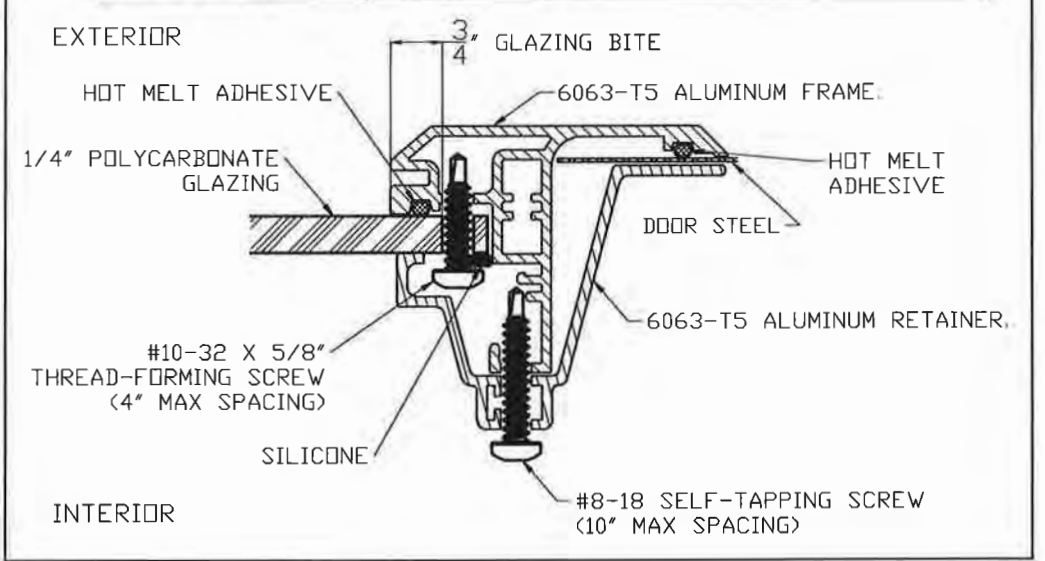
SHEET: 1 OF 4

REVISIONS						
REV. NO.	ZONE:	DATE:	ECN NO.	APPVD:	DESCRIPTION	
03	-	2/2015	-	SH	ADDED CODE COMPLIANCE STATEMENT.	
04	-	07/17/17	-	SH	UPDATED CODE COMPLIANCE STATEMENT TO ADD 6TH EDITION FBC.	
05	-	8/28/20	-	SH	UPDATED TITLE BLOCK AND CODE COMPLIANCE STATEMENT TO 7TH	
06	-	9/7/23	-	JDW	UPDATED CODE COMPLIANCE STATEMENT TO ADD 8TH EDITION FBC	
07	-	5/5/26	-	DH	REV IMPACT RESISTANT GLAZING DETAILS AND MODEL TABLE	



IMPACT-RESISTANT CONSTRUCTION:
SOLID DOORS (NO GLAZING) OR DOORS WITH OPTIONAL IMPACT-RESISTANT GLAZING ARE IMPACT-RESISTANT. OPTIONAL IMPACT RESISTANT ASSEMBLY CONSISTS OF ALUMINUM FRONT FRAME GE LEXAN MR10, AN APPROVED CC1 PLASTIC IN ACCORDANCE WITH IBC/FBC 2606 AND AN APPROVED C1 PLASTIC IN ACCORDANCE WITH FBC 2612. THE ENTIRE DOOR ASSEMBLY INSTALLED IN COMPLIANCE WITH THIS SECTION MEETS THE WIND LOAD REQUIREMENTS OF THE FLORIDA BUILDING CODE AND INTERNATIONAL BUILDING CODE AND IS LARGE- AND SMALL-MISSILE IMPACT RESISTANT.

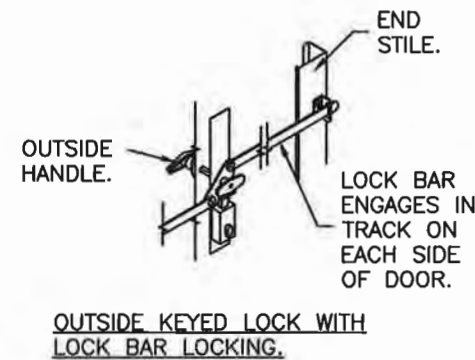
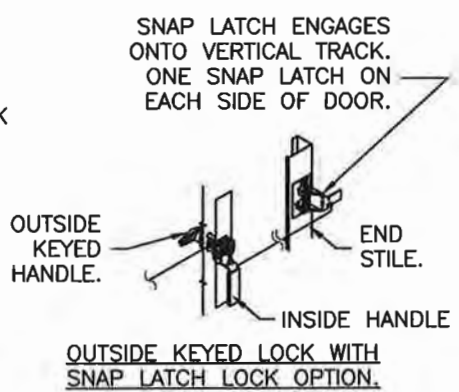
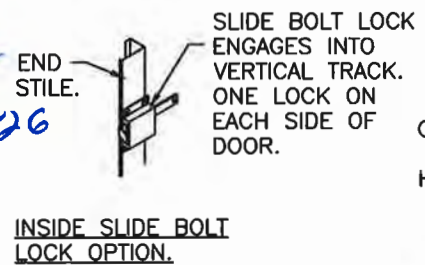
SECTION B-B (IMPACT-RESISTANT GLAZING OPTION)



DOOR HEIGHT	# OF SECTIONS
UP TO 8'0"	4
8'3" TO 10'0"	5
10'3" TO 12'0"	6
12'3" TO 14'0"	7
14'3" TO 16'0"	8
MAX SECTION HEIGHT: 24'	



DESIGN ENGINEER:
JAMES D. WHEELER, P.E.
FLORIDA LICENSE No. 91932



DESIGN LOADS: +46.0 P.S.F. & -52.0 P.S.F.

Unless Stated Otherwise TOLERANCES are
.0 = ±.031
.00 = ±.015
.000 = ±.005
.0000 = ±.001
Degrees = ±1/2"

Unless Stated Otherwise DIMENSIONS ARE IN INCHES.

Clopay CORPORATION
8585 Duke Boulevard
Mason, OH 45040 USA
Tel. No. 513-770-4800
Fax No. 513-770-4853

MANUFACTURING PRODUCT CODE
PAN-2F443

PART NO.: N/A

WINDLOAD RATING
W8 DP46T

DESCRIPTION: 2" GALLERY PAN DOORS 16'2"W (SEE TABLE)

DRAWN BY: SH DATE: 5/1/13 SCALE: NTS DWG. B

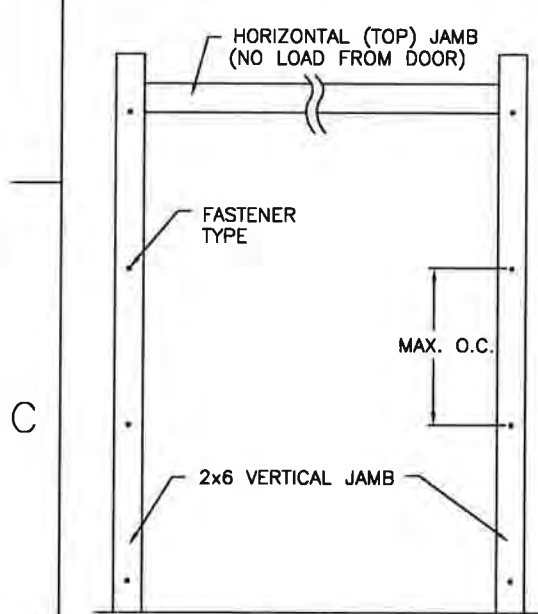
CHECKED BY: SH DATE: 5/1/13 SHEET 1 OF 4

DWG. NO.: 104791 VER: M-D

PRODUCT REVISED
as complying with the Florida Building Code
NOA-No. 26-0313.06
Expiration Date 08/01/2028
By *[Signature]*
Miami-Dade Product Control

MODELS	SHORT	Bridgepart	FLUSH DOOR
CLOPAY GALLERY	GD4S, GR4S	BD4N, BR4N, BD4C, BR4C	4F4
HOLMES ARTISTRY	AR4S	PR4N, PR4C	--
IDEAL EXPRESSIONS	ED4S	RR4N, RR4C	--
SEE SHEET 5 FOR "GRAND HARBOR" MODELS.			

SHEET: 2 OF 4					REVISIONS	
REV. NO.	ZONE	DATE	ECN NO.	APPVD.	DESCRIPTION	
07	-	-	-	-	SEE REVISION HISTORY ON SHEET ONE.	



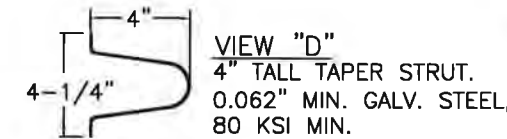
JAMB TO SUPPORTING STRUCTURE ATTACHMENT

- NOTES:**
1. ALL THE LOAD FROM THE DOOR IS TRANSFERRED TO THE TRACK AND THEN FROM THE TRACK TO THE 2x6 VERTICAL SYP (GRADE #2 OR BETTER) JAMBS. NO LOAD FROM THE DOOR IS TRANSFERRED TO THE HORIZONTAL (TOP) JAMB.
 2. EACH VERTICAL JAMB SEES A MAXIMUM DESIGN LOAD OF +368 LB & -416 LB. PER LINEAR FOOT OF JAMB.
 3. ALL JAMB FASTENERS MAY BE (BUT ARE NOT REQUIRED TO BE) COUNTERSUNK TO PROVIDE A FLUSH MOUNTING SURFACE.
 4. A 1/3 STRESS INCREASE FOR WIND LOAD WAS **NOT** USED IN THE CALCULATION OF ALLOWABLE LOADS FOR ANCHORS AND FASTENERS FOR STEEL, CONCRETE AND MASONRY.

2x6 JAMB TO SUPPORTING STRUCTURE ATTACHMENT
(NOT TO BE USED FOR ATTACHMENT OF TRACK ANGLE TO 2x6 VERTICAL JAMBS OR SUPPORTING STRUCTURE)

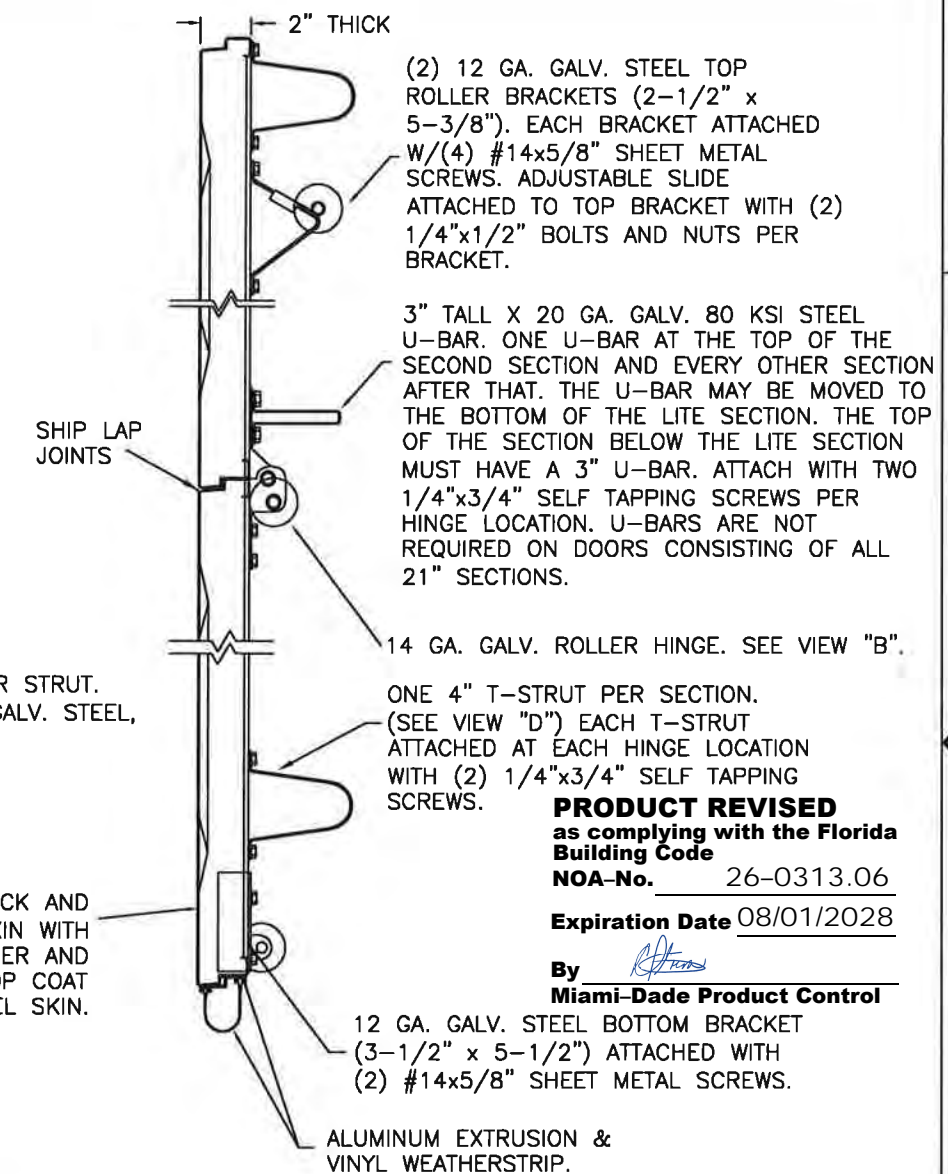
BUILDING TYPE	FASTENER TYPE	MAXIMUM ON-CENTER DISTANCE BETWEEN FASTENERS*	STEEL WASHERS REQUIRED?
HOLLOW CMU BLOCK WALL	1/4" x 1-1/4" MIN. EMBED ULTRACON CONCRETE ANCHOR	4-1/2"	1" O.D.
GROUT-FILLED CMU BLOCK	1/4" x 1-3/4" MIN. EMBED ULTRACON CONCRETE ANCHOR	7-1/2"	1" O.D.
2000 PSI MIN. CONCRETE	1/4" x 1" MIN. EMBED ULTRACON CONCRETE ANCHOR	6-1/4"	1" O.D.
2000 PSI MIN. CONCRETE	1/4" x 1" MIN. EMBED TAPCON CONCRETE ANCHOR	3-1/2"	1" O.D.
2000 PSI MIN. CONCRETE	3/8" x 1-3/4" MIN. EMBED WEJ-IT ANKR TITE SLEEVE ANCHOR	13-1/2"	INCLUDED
4000 PSI MIN. CONCRETE	3/8" x 1-3/4" MIN. EMBED WEJ-IT ANKR TITE SLEEVE ANCHOR	24"	INCLUDED
WOOD FRAME (SYP 0.55 SG)	1/2" x 3" LAG SCREW (ASTM A307, GRADE A) 1-5/8" EMBED INTO STRUCTURE	14-3/4"	1" O.D.

* FIRST (BOTTOM) ANCHOR STARTING AT NO MORE THAN HALF OF THE MAXIMUM ON-CENTER DISTANCE. HIGHEST ANCHOR INSTALLED AT LEAST AS HIGH AS THE DOOR OPENING.
CLOPAY DOES NOT SUPPLY JAMB ATTACHMENT FASTENERS.
MINIMUM DISTANCE BETWEEN CENTER OF ANCHOR AND EDGE OF CONCRETE BLOCK: 2-1/2", EXCLUDING STUCCO THICKNESS.



VIEW "D"
4" TALL TAPER STRUT.
0.062" MIN. GALV. STEEL,
80 KSI MIN.

24 GA. DDS STEEL (MIN. 0.022" THICK AND MIN. YIELD 37.3 KSI .) EXTERIOR SKIN WITH G-40 GALVANIZING, BAKED-ON PRIMER AND A BAKED-ON POLYESTER PAINTED TOP COAT APPLIED TO BOTH SIDES OF STEEL SKIN.



SECTION A-A (SIDE VIEW)

(2) 12 GA. GALV. STEEL TOP ROLLER BRACKETS (2-1/2" x 5-3/8"). EACH BRACKET ATTACHED W/(4) #14x5/8" SHEET METAL SCREWS. ADJUSTABLE SLIDE ATTACHED TO TOP BRACKET WITH (2) 1/4"x1/2" BOLTS AND NUTS PER BRACKET.

3" TALL X 20 GA. GALV. 80 KSI STEEL U-BAR. ONE U-BAR AT THE TOP OF THE SECOND SECTION AND EVERY OTHER SECTION AFTER THAT. THE U-BAR MAY BE MOVED TO THE BOTTOM OF THE LITE SECTION. THE TOP OF THE SECTION BELOW THE LITE SECTION MUST HAVE A 3" U-BAR. ATTACH WITH TWO 1/4"x3/4" SELF TAPPING SCREWS PER HINGE LOCATION. U-BARS ARE NOT REQUIRED ON DOORS CONSISTING OF ALL 21" SECTIONS.

14 GA. GALV. ROLLER HINGE. SEE VIEW "B".

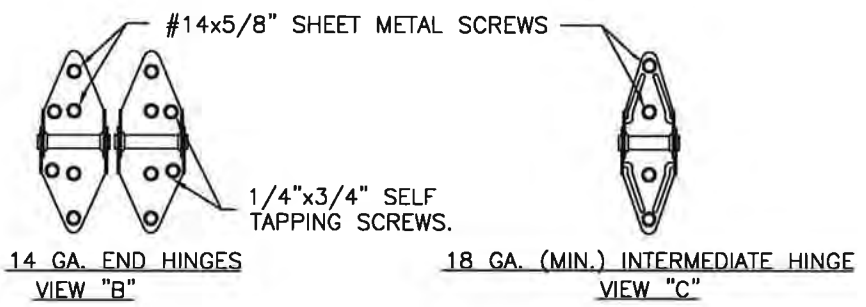
ONE 4" T-STRUT PER SECTION. (SEE VIEW "D") EACH T-STRUT ATTACHED AT EACH HINGE LOCATION WITH (2) 1/4"x3/4" SELF TAPPING SCREWS.

PRODUCT REVISED
as complying with the Florida Building Code
NOA-No. 26-0313.06
Expiration Date 08/01/2028

By *[Signature]*
Miami-Dade Product Control

12 GA. GALV. STEEL BOTTOM BRACKET (3-1/2" x 5-1/2") ATTACHED WITH (2) #14x5/8" SHEET METAL SCREWS.

ALUMINUM EXTRUSION & VINYL WEATHERSTRIP.



DESIGN ENGINEER: *[Signature]*
JAMES D. WHEELER, P.E.
FLORIDA LICENSE No. 91932

DESIGN LOADS: +46.0 P.S.F. & -52.0 P.S.F.

Unless Stated Otherwise TOLERANCES are
.0 = ±.031
.00 = ±.015
.000 = ±.005
.0000 = ±.001
Degrees = ±1/2'
Unless Stated Otherwise DIMENSIONS ARE IN INCHES.

Glopay CORPORATION
8585 Duke Boulevard
Mason, OH 45040 USA
Tel. No. 513-770-4800
Fax No. 513-770-4853

DESCRIPTION: 2" GALLERY PAN DOORS 16'2"W (SEE TABLE)		WINDLOAD RATING W8 DP46T	
DRAWN BY: SH	DATE: 5/1/13	SCALE: NTS	DWG. SIZE B
CHECKED BY: SH	DATE: 5/1/13	SHEET 2 OF 4	
DWG. NO.: 104791	VER: M-D		

MANUFACTURING PRODUCT CODE
PAN-2F443

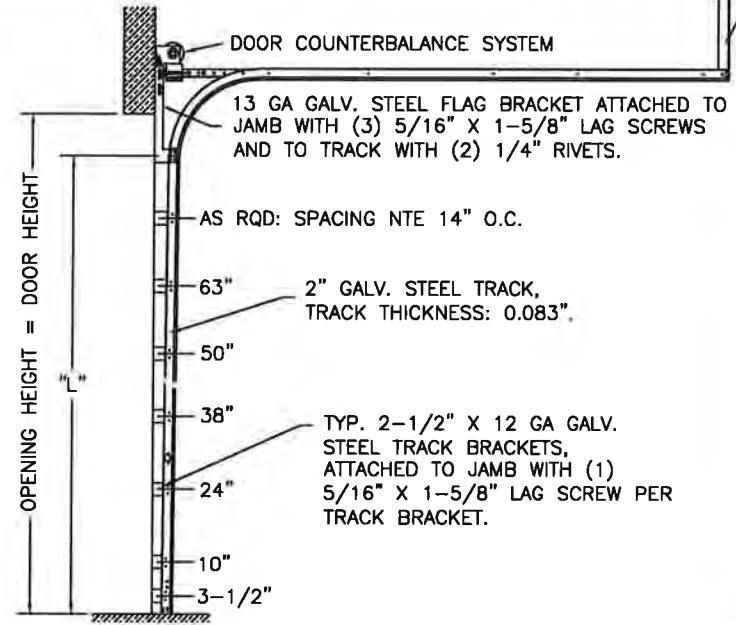
PART NO.: N/A

MODELS	SHORT	Bridgeport	FLUSH DOOR
CLOPAY GALLERY	GD4S, GR4S	BD4N, BR4N, BD4C, BR4C	4F4
HOLMES ARTISTRY	AR4S	PR4N, PR4C	--
IDEAL EXPRESSIONS	ED4S	RR4N, RR4C	--
SEE SHEET 5 FOR "GRAND HARBOR" MODELS.			

SHEET:		REVISIONS				
REV. NO.	ZONE	DATE	ECN NO.	APPVD.	DESCRIPTION	
3 OF 4	07	-	-	-	SEE REVISION HISTORY ON SHEET ONE.	

NOTE: TRACK CONFIGURATION ABOVE THE DOOR OPENING DOES NOT AFFECT THE WIND LOAD RATING OF THIS DOOR.

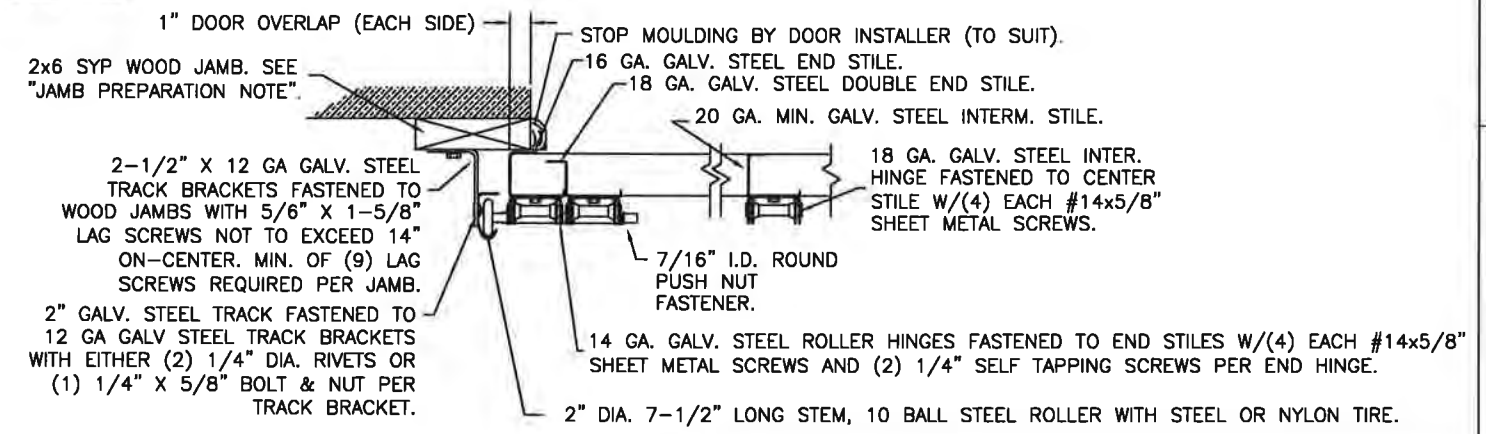
2" TRACK CONFIGURATION
DOORS UP TO 800 LBS.



HORIZONTAL TRACK SUPPORT BY DOOR INSTALLER (TO SUIT).

DOOR HEIGHT	"L"
6'-6"	70"
7'-0"	76"
7'-6"	82"
8'-0"	88"
8'-6"	94"
9'-0"	100"
9'-6"	106"
10'-0"	112"
10'-6"	118"
11'-0"	124"
11'-6"	130"
12'-0"	136"
12'-6"	142"
13'-0"	148"
13'-6"	154"
14'-0"	160"
14'-6"	166"
15'-0"	172"
15'-6"	178"
16'-0"	184"

JAMB CONFIGURATION
DOORS UP TO 800 LBS.

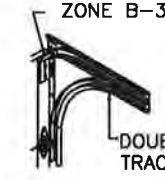


SECTION C-C

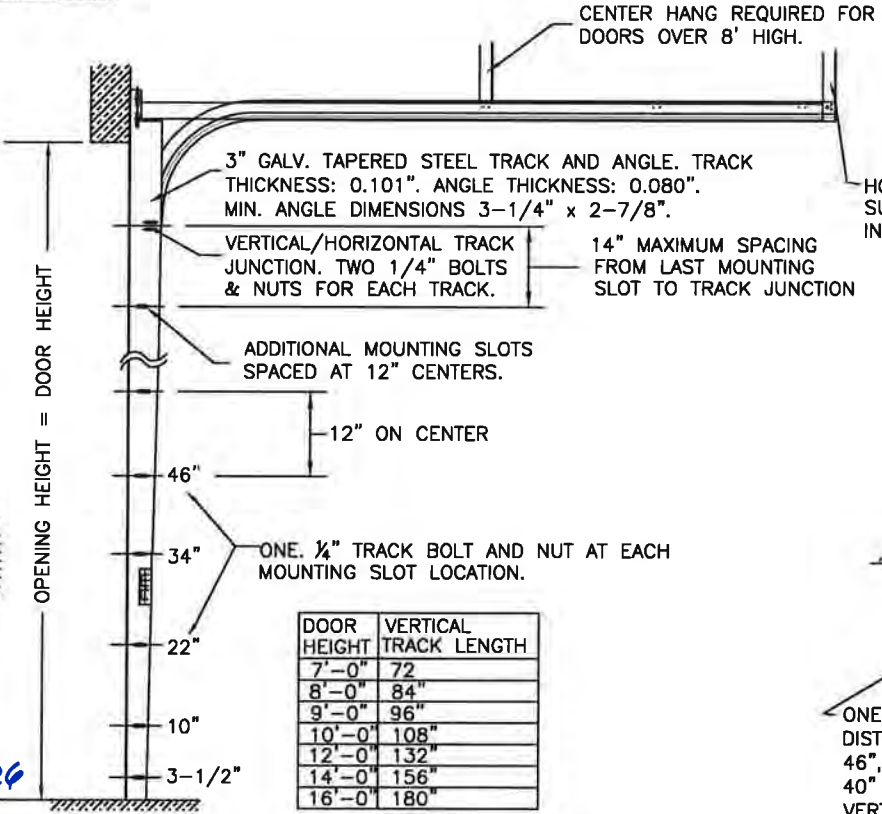
PREPARATION OF JAMBS BY OTHERS.

LHR BRACKET (2-1/2" x 5-3/4" x 12GA) ATTACHED WITH (2) 1/4" x 3/4" SELF TAPPING SCREWS. NOTE THAT LHR BRACKETS ARE ALSO USED WITH "DOUBLE END STILE" AS SHOWN IN ZONE B-3 SHEET 1.

DOUBLE TRACK LOW HEADROOM OPTION (AVAIL. FOR BOTH 2" AND 3" TRACK)



3" TRACK CONFIGURATION
DOORS 800 LBS AND OVER.



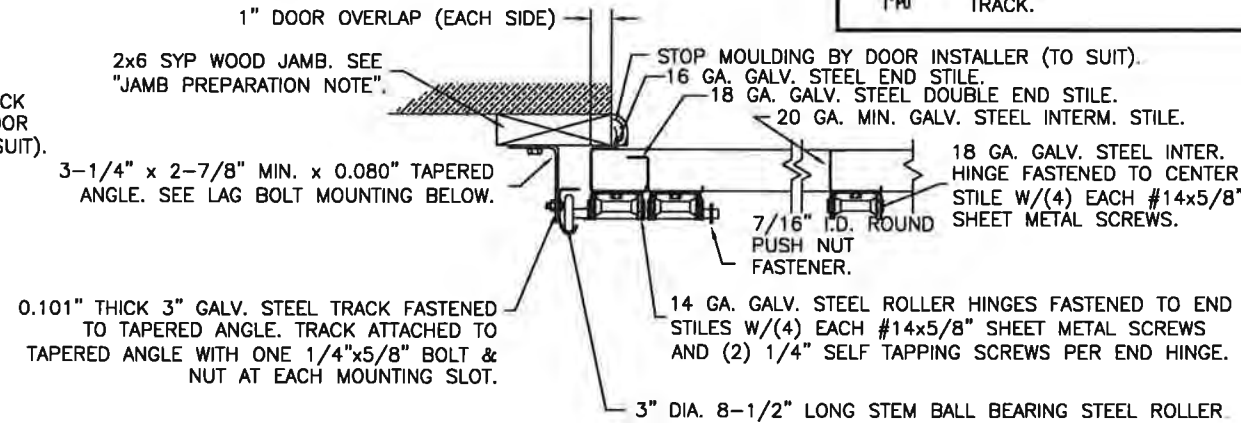
NOTE: TRACK CONFIGURATION ABOVE THE DOOR OPENING DOES NOT AFFECT THE WIND LOAD RATING OF THIS DOOR.

CENTER HANG REQUIRED FOR DOORS OVER 8' HIGH.

HORIZONTAL TRACK SUPPORT BY DOOR INSTALLER (TO SUIT).

DOOR HEIGHT	VERTICAL TRACK LENGTH
7'-0"	72"
8'-0"	84"
9'-0"	96"
10'-0"	108"
12'-0"	132"
14'-0"	156"
16'-0"	180"

JAMB CONFIGURATION
DOORS 800 LBS AND OVER.

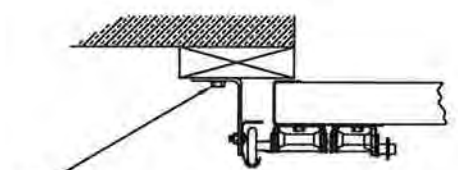


SECTION C-C

PREPARATION OF JAMBS BY OTHERS.

DESIGN LOADS: +46.0 P.S.F. & -52.0 P.S.F.

0.101" THICK 3" GALV. STEEL TRACK FASTENED TO TAPERED ANGLE. TRACK ATTACHED TO TAPERED ANGLE WITH ONE 1/4"x5/8" BOLT & NUT AT EACH MOUNTING SLOT.



ONE 5/16" x 1-5/8" LAG SCREW SPACED AT THE SAME DISTANCES AS THE TRACK BOLTS (I.E. 3-1/2", 10", 22", 34", 46", ETC.). ADDITIONAL LAG SCREWS LOCATED AT 16", 28", & 40" FROM BOTTOM. TWO LAG SCREWS ALSO LOCATED ABOVE VERTICAL/HORIZONTAL TRACK JUNCTION.

Unless Stated Otherwise TOLERANCES are
.0 = ±.031
.00 = ±.015
.000 = ±.005
.0000 = ±.001
Degrees = ±1/2"
Unless Stated Otherwise DIMENSIONS ARE IN INCHES.

Glopay CORPORATION
8585 Duke Boulevard
Mason, OH 45040 USA
Tel. No. 513-770-4800
Fax No. 513-770-4853

PRODUCT REVISED
as complying with the Florida Building Code
NOA-No. 26-0313.06
Expiration Date 08/01/2028
By *[Signature]*
Miami-Dade Product Control

MANUFACTURING PRODUCT CODE
PAN-2F443
PART NO.: N/A

WINDLOAD RATING
W8 DP46T

DESCRIPTION: 2" GALLERY PAN DOORS 16'2"W (SEE TABLE)
DRAWN BY: SH DATE: 5/1/13 SCALE: NTS DWG. B
CHECKED BY: SH DATE: 5/1/13 SHEET 3 OF 4 SIZE B
DWG. NO.: 104791 VER: M-D



DESIGN ENGINEER: *[Signature]*
JAMES D. WHEELER, P.E.
FLORIDA LICENSE No. 91932

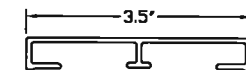
CLOPAY 'GRAND HARBOR' SERIES: GHnn, GHRnn, GHRVnn

HOLMES 'EVANSTON' SERIES: SPnn, SPVnn

IDEAL 'STONE MANOR' SERIES: SMnn

NOTE: "nn" REPRESENTS THE ARRANGEMENT OF THE DECORATIVE OVERLAYS. THE FIRST DIGIT WILL HAVE A VALUE FROM 1 TO 2 AND THE SECOND DIGIT WILL HAVE A VALUE FROM 1 TO 3.

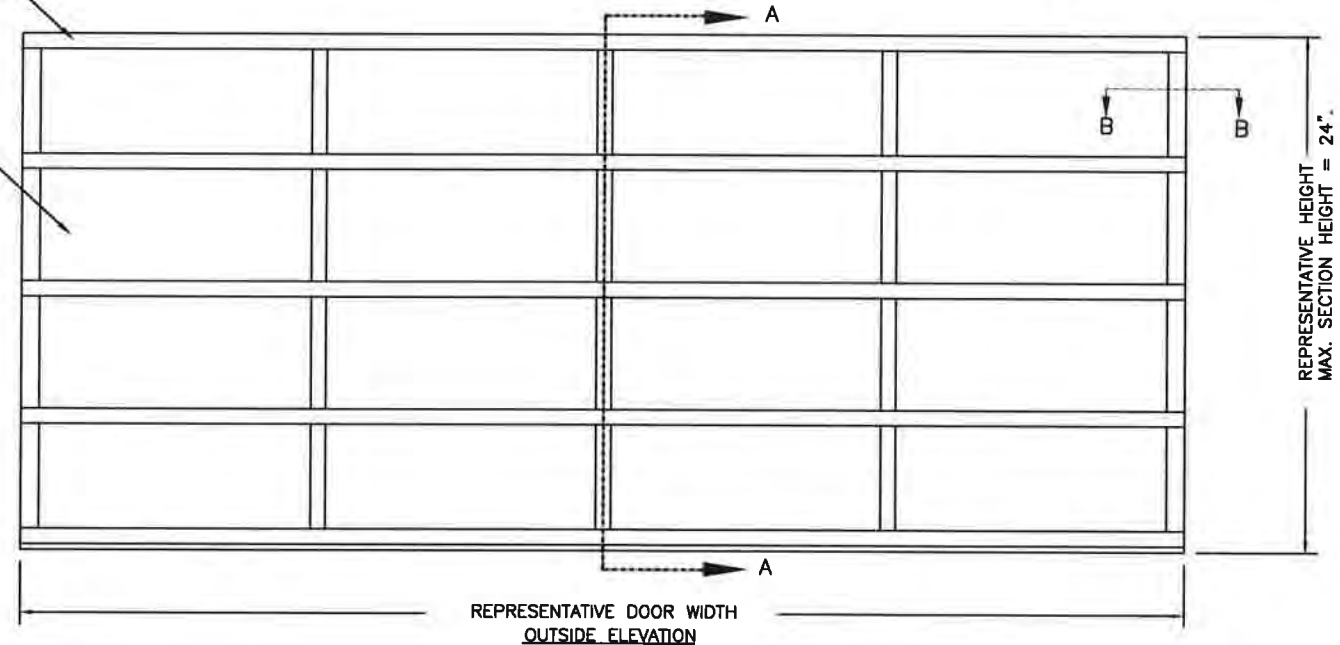
SHEET:		REVISIONS				
REV. NO.	ZONE:	DATE:	ECN NO.	APPVD:	DESCRIPTION	
4 OF 4						
07	-	-	-	-	SEE REVISION HISTORY ON SHEET ONE.	



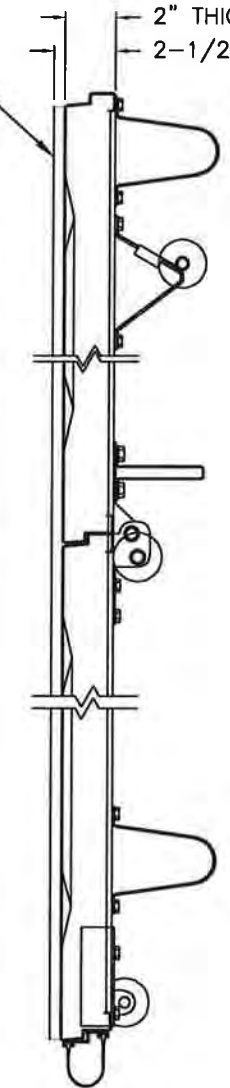
DECORATIVE OVERLAYS MAY BE HORIZONTAL, VERTICAL, AND DIAGONAL (DIAGONAL NOT SHOWN).
SECTION B-B (OVERLAY DETAIL)

DECORATIVE OVERLAYS OF PULTRUDED POLYESTER RESIN FIBERGLASS ADHERED TO OUTSIDE SKIN WITH PERMANENT ADHESIVE.

WOOD-GRAIN EMBOSSED STEEL PAN DOOR SKIN.



2" THICK BASE SECTION.
2-1/2" THICK WITH OVERLAYS.
DECORATIVE OVERLAYS OF PULTRUDED POLYESTER RESIN FIBERGLASS ADHERED TO OUTSIDE SKIN WITH PERMANENT ADHESIVE.



SECTION A-A (SIDE VIEW)

PRODUCT REVISED
as complying with the Florida Building Code
NOA-No. 26-0313.06
Expiration Date 08/01/2028
By *[Signature]*
Miami-Dade Product Control

"GRAND HARBOR" TYPE OVERLAY DOORS

- NOTES:**
- "GRAND HARBOR" TYPE DOORS USE THE SAME REINFORCEMENTS AND BASE SECTION CONSTRUCTION AND TRACK CONFIGURATION DESCRIBED ON SHEETS 1-3 OF THIS DRAWING.
 - "GRAND HARBOR" TYPE DOORS ARE IMPACT RESISTANT AS SOLID DOORS ONLY.



DESIGN ENGINEER: *5/12/26*
JAMES D. WHEELER, P.E.
FLORIDA LICENSE No. 91932

DESIGN LOADS: +46.0 P.S.F. & -52.0 P.S.F.

Unless Stated Otherwise TOLERANCES are

.0	= ±.031
.00	= ±.015
.000	= ±.005
.0000	= ±.001
Degrees	= ±1/2'

Unless Stated Otherwise DIMENSIONS ARE IN INCHES.

Glopay CORPORATION
8585 Duke Boulevard
Mason, OH 45040 USA
Tel. No. 513-770-4800
Fax No. 513-770-4853

DESCRIPTION: 2" GALLERY PAN DOORS 16'2"W (SEE TABLE)

DRAWN BY: SH DATE: 5/1/13
CHECKED BY: SH DATE: 5/1/13
DWG. NO.: 104791

MANUFACTURING PRODUCT CODE SPD-2F449	
PART NO.: N/A	
WINDLOAD RATING W8 DP46T	
SCALE: NTS	DWG. SIZE B
SHEET 4 OF 4	VER: M-D