



DEPARTMENT OF REGULATORY AND ECONOMIC RESOURCES (RER)
BOARD AND CODE ADMINISTRATION DIVISION

MIAMI-DADE COUNTY
PRODUCT CONTROL SECTION
11805 SW 26 Street, Room 208
Miami, Florida 33175-2474
T (786) 315-2590 F (786) 315-2599

www.miamidade.gov/economy

NOTICE OF ACCEPTANCE (NOA)

Stabilit America, Inc. dba Rosolite
285 Industrial Drive
Moscow, TN 38057

SCOPE:

This NOA is being issued under the applicable rules and regulations governing the use of construction materials. The documentation submitted has been reviewed and accepted by Miami-Dade County RER- Product Control Section to be used in Miami Dade County and other areas where allowed by the Authority Having Jurisdiction (AHJ).

This NOA shall not be valid after the expiration date stated below. The Miami-Dade County Product Control Section (In Miami Dade County) and/or the AHJ (in areas other than Miami Dade County) reserve the right to have this product or material tested for quality assurance purposes. If this product or material fails to perform in the accepted manner, the manufacturer will incur the expense of such testing and the AHJ may immediately revoke, modify, or suspend the use of such product or material within their jurisdiction. RER reserves the right to revoke this acceptance if it is determined by Miami-Dade County Product Control Section that this product or material fails to meet the requirements of the applicable building code.

This product is approved as described herein and has been designed to comply with the High Velocity Hurricane Zone of the Florida Building Code.

DESCRIPTION: 0.630" Polycarbonate Storm Panels Shutter

APPROVAL DOCUMENT: Drawing No. RES004, titled Polycarbonate Storm Panel, sheets 1 through 4 of 4, prepared by Stabilit America, Inc. dba Resolite, dated June 12, 2025, revised on August 2024, signed and sealed by Hermes F. Norero, P.E., on July 05, 2025, bearing the Miami-Dade County Product Control Approval stamp with the Notice of Acceptance number and the approval date by Miami-Dade County Product Control Section.

MISSILE IMPACT RATING: Large and Small Missile Impact Resistant

LABELING: Each panel shall bear a permanent label with the manufacturer's name or logo, city, state, the following statement: "Miami-Dade County Product Control Approved", and NOA number, per TAS-201, TAS-202, and TAS-203, unless otherwise noted herein.

RENEWAL of this NOA shall be considered after a renewal application has been filed and there has been no change in the applicable building code negatively affecting the performance of this product.

TERMINATION of this NOA will occur after the expiration date or if there has been a revision or change in the materials, use, and/or manufacture of the product or process. Misuse of this NOA as an endorsement of any product, for sales, advertising or any other purposes shall automatically terminate this NOA. Failure to comply with any section of this NOA shall be cause for termination and removal of NOA.

ADVERTISEMENT: The NOA number preceded by the words Miami-Dade County, Florida, and followed by the expiration date may be displayed in advertising literature. If any portion of the NOA is displayed, then it shall be done in its entirety.

INSPECTION: A copy of this entire NOA shall be provided to the user by the manufacturer or its distributors and shall be available for inspection at the job site at the request of the Building Official.

This NOA **revises and renews NOA #21-0803.06** and consists of this page 1, evidence submitted pages E-1 and E-2, as well as approval document mentioned above.

The submitted documentation was reviewed by **Helmy A. Makar, P.E., M.S.**



Helmy A. Makar
06/04/26

NOA No. 26-0416.08
Expiration Date: 06/04/2031
Approval Date: 06/04/2026

Stabilit America, Inc. dba Resolite

NOTICE OF ACCEPTANCE: EVIDENCE SUBMITTED

1. EVIDENCE SUBMITTED UNDER PREVIOUS APPROVAL # 06-0222.04

A. DRAWINGS

1. *Drawing No. RES004, titled Polycarbonate Storm Panel, sheets 1 through 4 of 4, prepared by Resolite, dated June 21, 2018, signed and sealed by Hermes F. Norero, P.E., on August 04, 2018.*

B. TESTS

1. *Test report on Large Missile Impact Test, Cyclic Wind Pressure Test, and Uniform Static Air Pressure Test of 0.630" Hurricane Storm Panel, prepared by National Certified Testing Laboratories, Report No. NCTL-210-4034-01, dated July 10, 2016, signed and sealed by Gerald John Ferrara, P.E.*

C. CALCULATIONS

1. *Comparative Analysis, Anchor Calculations for 0.630" Storm Panels, dated 07/21/18 24 pages, prepared by Building Drops, signed & sealed by Hermes F. Norero, P.E.*

D. QUALITY ASSURANCE

1. *By Miami-Dade County Department of Regulatory and Economic Resources.*

E. MATERIAL CERTIFICATIONS

1. *NOA #17-1219.02.*

F. STATEMENTS

1. *FBC, 2017 Edition compliance letter prepared by Hermes F. Norero, P.E., dated May 23, 2017, signed and sealed by Hermes F. Norero, P.E.*

2. EVIDENCE SUBMITTED UNDER PREVIOUS APPROVAL # 21-0803.06

A. DRAWINGS

1. *Drawing No. RES004, titled Polycarbonate Storm Panel, sheets 1 through 4 of 4, prepared by Resolite, dated 06/21/18, revised on 06/2021, signed and sealed by Hermes F. Norero, P.E.*

B. TESTS

1. *None.*

C. CALCULATIONS

1. *None.*

D. QUALITY ASSURANCE

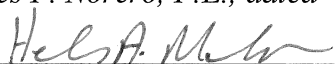
1. *By Miami-Dade County Department of Regulatory and Economic Resources.*

E. MATERIAL CERTIFICATIONS

1. *NOA #17-1219.02.*

F. STATEMENTS

1. *FBC, 2020 Edition compliance letter prepared by Hermes F. Norero, P.E., dated 06/24/21, signed and sealed by Hermes F. Norero, P.E.*



Helmy A. Makar, P.E., M.S.
Product Control Section Supervisor
NOA No. 26-0416.08
Expiration Date: 06/04/2031
Approval Date: 06/04/2026

Stabilit America, Inc. dba Resolite

NOTICE OF ACCEPTANCE: EVIDENCE SUBMITTED

3. NEW EVIDENCE SUBMITTED

A. DRAWINGS

1. Drawing No. RES004, titled Polycarbonate Storm Panel, sheets 1 through 4 of 4, prepared by Stabilit America, Inc. dba Resolite, dated June 12, 2025, revised on August 2024, signed and sealed by Hermes F. Norero, P.E., on July 05, 2025

B. TESTS

1. *None.*

C. CALCULATIONS

1. *Comparative Analysis, Anchor Calculations for 0.630" Storm Panels, dated 06/12/25 24 pages, prepared by Building Drops, signed & sealed by Hermes F. Norero, P.E..*

D. QUALITY ASSURANCE

1. *By Miami-Dade County Department of Regulatory and Economic Resources.*

E. MATERIAL CERTIFICATIONS

1. *NOA #17-1219.02.*

F. STATEMENTS

1. *FBC, 2023 Edition compliance letter prepared by Hermes F. Norero, P.E., dated 06/12/25, signed and sealed by Hermes F. Norero, P.E.*



Helmy A. Makar, P.E., M.S.
Product Control Section Supervisor
NOA No. 26-0416.08
Expiration Date: 06/04/2031
Approval Date: 06/04/2026

The following pages in this document were submitted by the manufacturer (third party) to represent the product being approved and establish the limits of use. The pages may include technical drawings, schematics and installation details.

6/12/2025 6:13 PM

c:\users\francesco\building_drops, inc\building_drops, inc\projects\stabilit-america\res-004.dwg - mtd submittal - code change\drops\archive\res004.dwg

STABILIT AMERICA, INC. DBA RESOLITE

POLYCARBONATE STORM PANEL

(HVHZ) (IMPACT)



285 INDUSTRIAL DR.
MOSCOW, TN 38057
PH: (954)-877-1288

TITLE: POLYCARBONATE STORM PANEL
(HVHZ) (IMPACT)
INSTALLATION &
GENERAL NOTES

PREPARED BY:
BUILDING DROPS, INC.
1900 NE MIAMI CT UNIT 2-15
MIAMI, FL 33132
PH: (954)395-8478
FAX: (954)744-4738
WEB: www.buildingdrops.com



INSTALLATION NOTES:

- ONE (1) INSTALLATION ANCHOR IS REQUIRED AT EACH ANCHOR LOCATION SHOWN.
- THE NUMBER OF INSTALLATION ANCHORS DEPICTED IS THE MINIMUM NUMBER OF ANCHORS TO BE USED FOR PRODUCT INSTALLATION OF THE MAXIMUM SIZE LISTED.
- INSTALL INDIVIDUAL INSTALLATION ANCHORS WITHIN A TOLERANCE OF ±1/2 INCH (I.E., WITHOUT CONSIDERATION OF TOLERANCES). TOLERANCES ARE NOT CUMULATIVE FROM ONE INSTALLATION ANCHOR TO THE NEXT.
- FOR INSTALLATION INTO WOOD FRAMING AND CONCRETE/MASONRY, SEE TABLE ON SHEET 2 FOR ANCHOR OPTIONS.
- FOR MINIMUM REQUIRED SEPARATION, SEE TABLE ON SHEET 1.
- MINIMUM EMBEDMENT AND EDGE DISTANCE EXCLUDE WALL FINISHES, INCLUDING BUT NOT LIMITED TO STUCCO, FOAM, BRICK VENEER, AND SIDING.
- INSTALLATION ANCHORS AND ASSOCIATED HARDWARE MUST BE MADE OF CORROSION RESISTANT MATERIAL OR HAVE A CORROSION RESISTANT COATING.
- FOR HOLLOW BLOCK AND GROUT FILLED BLOCK, DO NOT INSTALL INSTALLATION ANCHORS INTO MORTAR JOINTS. EDGE DISTANCE IS MEASURED FROM FREE EDGE OF BLOCK OR EDGE OF MORTAR JOINT INTO FACE SHELL OF BLOCK.
- INSTALLATION ANCHORS SHALL BE INSTALLED IN ACCORDANCE WITH ANCHOR MANUFACTURER'S INSTALLATION INSTRUCTIONS, AND ANCHORS SHALL NOT BE USED IN SUBSTRATES WITH STRENGTHS LESS THAN THE MINIMUM STRENGTH SPECIFIED BY THE ANCHOR MANUFACTURER.
- INSTALLATION ANCHOR CAPACITIES FOR PRODUCTS HEREIN ARE BASED ON SUBSTRATE MATERIALS WITH THE FOLLOWING PROPERTIES:
 - WOOD - MINIMUM SPECIFIC GRAVITY OF 0.55.
 - CONCRETE -MINIMUM COMPRESSIVE STRENGTH OF 3000 PSI.
 - GROUT-FILLED CMU- UNIT STRENGTH CONFORMS TO ASTM C-90 WITH MINIMUM COMPRESSIVE STRENGTH OF 2000 PSI AND GROUT CONFORMS TO ASTM C 476, MINIMUM GROUT COMPRESSIVE STRENGTH OF 2000 PSI.
 - HOLLOW BLOCK CMU - UNIT STRENGTH CONFORMS TO ASTM C-90 WITH MINIMUM COMPRESSIVE STRENGTH OF 2000 PSI.

GENERAL NOTES:

- THE PRODUCT SHOWN HEREIN IS DESIGNED AND MANUFACTURED TO COMPLY WITH THE 8TH EDITION (2023) OF THE FLORIDA BUILDING CODE (FBC), INCLUDING HVHZ AND HAS BEEN EVALUATED ACCORDING TO THE FOLLOWING:
 - TAS 201-94
 - TAS 202-94
 - TAS 203-94
 - ASTM G155-13
 - ASTM D638-03
 - ASTM D635-14
 - ASTM D1929-16
 - ASTM D2843-16
- ADEQUACY OF THE EXISTING STRUCTURAL CONCRETE/MASONRY AND 2X FRAMING AS A MAIN WIND FORCE RESISTING SYSTEM CAPABLE OF WITHSTANDING AND TRANSFERRING APPLIED PRODUCT LOADS TO THE FOUNDATION IS THE RESPONSIBILITY OF THE ENGINEER OR ARCHITECT OF RECORD FOR THE PROJECT OF INSTALLATION.
- 1X AND 2X BUCKS (WHEN USED) SHALL BE DESIGNED AND ANCHORED TO PROPERLY TRANSFER ALL LOADS TO THE STRUCTURE. BUCK DESIGN AND INSTALLATION IS THE RESPONSIBILITY OF THE ENGINEER OR ARCHITECT OF RECORD FOR THE PROJECT OF INSTALLATION.
- THE INSTALLATION DETAILS DESCRIBED HEREIN ARE GENERIC AND MAY NOT REFLECT ACTUAL CONDITIONS FOR A SPECIFIC SITE. IF SITE CONDITIONS CAUSE INSTALLATION TO DEVIATE FROM THE REQUIREMENTS DETAILED HEREIN, A LICENSED ENGINEER OR ARCHITECT SHALL PREPARE SITE SPECIFIC DOCUMENTS FOR USE WITH THIS DOCUMENT IN NON-HVHZ AREAS.
- APPROVED IMPACT PROTECTIVE SYSTEM IS NOT REQUIRED ON THIS PRODUCT IN AREAS REQUIRING IMPACT RESISTANCE.
- PANEL MATERIAL: TRANSLUCENT POLYCARBONATE

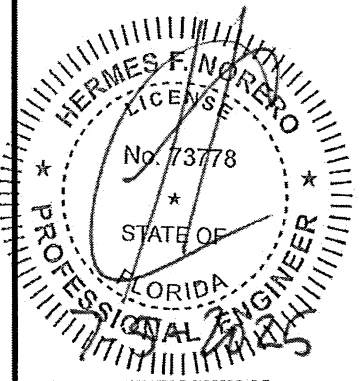
TABLE OF CONTENTS	
SHEET	SHEET DESCRIPTION
1	INSTALLATION & GENERAL NOTES
2	ELEVATIONS & ANCHOR SCHEDULE
3	VERTICAL SECTIONS
4	HORIZONTAL SECTIONS

OVERALL SIZE		MAX. DESIGN PRESSURE	MIN. SEPARATION	MISSILE IMPACT RATING
DIM. A	DIM. B			
72"	96"	+50/- 50 PSF	6.5"	LMI
75"	84"	+53/- 56 PSF	6.25"	
75"	75"	+56/- 62.5 PSF	5.5"	
75"	66"	+60/- 70 PSF	5.25"	
48"	96"	+50/- 50 PSF	2.75"	
48"	84"	+53/- 56 PSF	2.625"	
48"	75"	+56/- 62.5 PSF	2.5"	
48"	66"	+60/- 70 PSF	2.375"	

NOTE:
1. LMI - LARGE MISSILE IMPACT RATED

REMARKS	BY	DATE
FBC 2020 UPDATE	LL	06/21
FBC 2023 UPDATE	FB	08/24

THE INSTALLATION DETAILS DESCRIBED HEREIN ARE GENERIC AND MAY NOT REFLECT ACTUAL CONDITIONS FOR A SPECIFIC SITE. IF SITE CONDITIONS CAUSE INSTALLATION TO DEVIATE FROM THE REQUIREMENTS DETAILED HEREIN, A LICENSED ENGINEER OR ARCHITECT SHALL PREPARE SITE SPECIFIC DOCUMENTS FOR USE WITH THIS DOCUMENT.



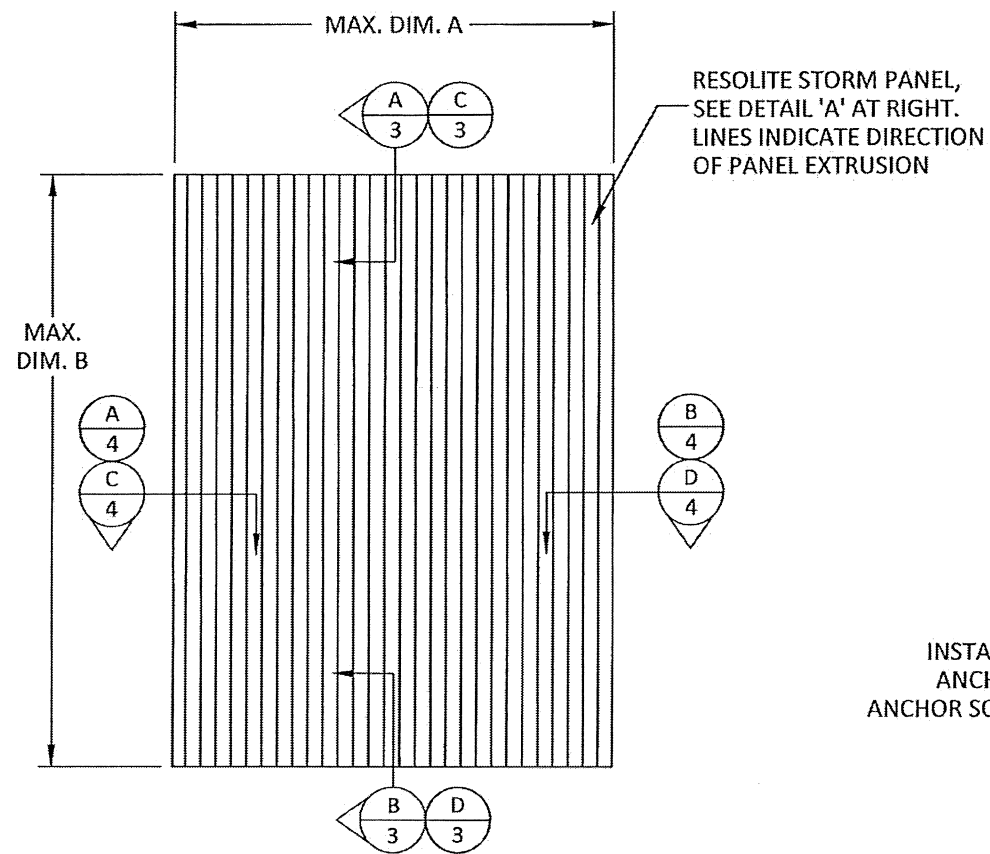
HERMES F. NORERO, P.E.
FLORIDA P.E. No. 73778
BUILDING DROPS, INC.
1900 NE MIAMI CT. UNIT 2-15
MIAMI FL 33132
FBPE CERT. OF AUTHORIZATION No. 29578

Approved as complying with the Florida Building Code
Date 06/04/26
NOA# 26-0416.08
Miami Dade Product Control
By *Holly A. Miller*

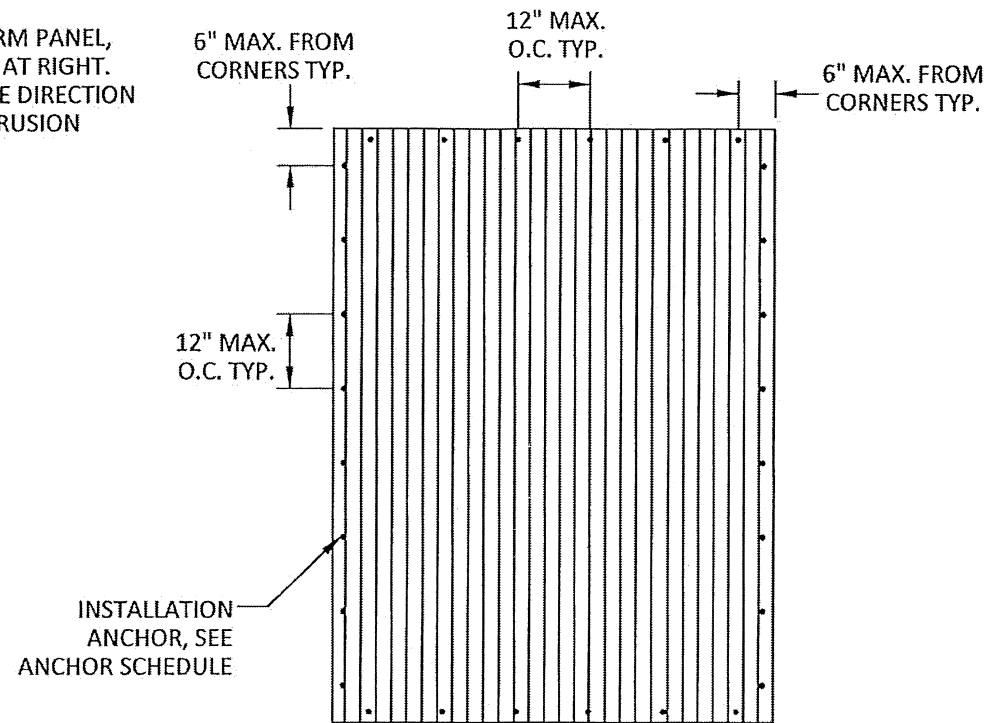
DATE:	06.12.25	
DWG. BY:	FB	CHK. BY: HFN
SCALE:	NTS	
DWG. #:	RES004	
SHEET:	1	

6/12/2025 6:13 PM

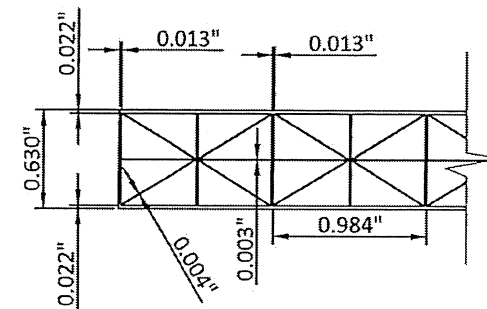
c:\users\franciscobriceno\building_drops_inc\building_drops_landing_common\projects\stabilit_america\tcc-24-0228_and_submittal_code_change_logs\archive\res004.dwg



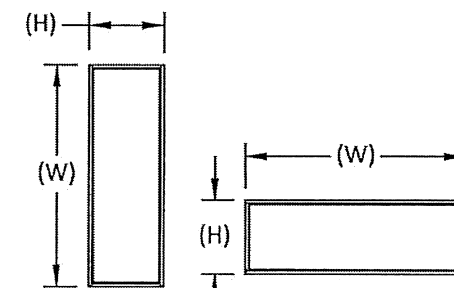
TYPICAL ELEVATION
72" x 96" UNIT



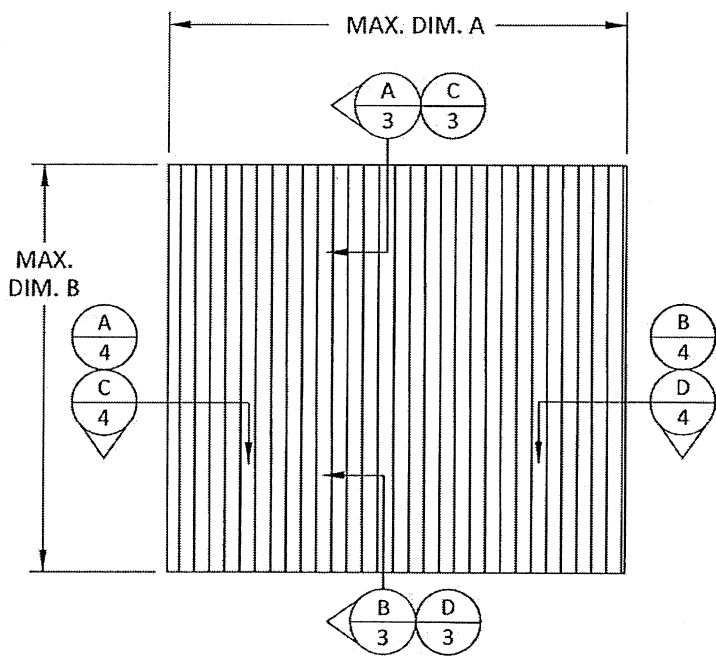
ANCHOR LAYOUT



DETAIL A
POLYCARBONATE STORM PANEL



NOTE:
DIMENSION 'A' AND DIMENSION 'B' MAY
BE INTERCHANGEABLE AS WIDTH (W) OR
HEIGHT (H) OF PANEL.



TYPICAL ELEVATION
75" x 66" UNIT

1/4" ITW Tapcon Storm Guard (SG)		
Substrate	Embedment (in.)	Edge Distance (in.)
Concrete (Min f'c = 3000 psi)	1.75	2.5
Grout Filled Block (Min f'c = 2000 psi)	1.75	2.5
Wood (Min. S.G. = 0.55)	1.5	0.75

1/4" ELCO Panelmate Plus		
Substrate	Embedment (in.)	Edge Distance (in.)
Concrete (Min f'c = 3350 psi)	1.75	2.5
Grout Filled Block (Min f'c = 2071 psi)	1.25	2
Wood (Min. S.G. = 0.55)	1.875	0.75

1/4" ELCO Panelmate Insert		
Substrate	Embedment (in.)	Edge Distance (in.)
Concrete (Min f'c = 2700 psi)	1.625	4
Grout Filled Block (Min f'c = 2676 psi)	1.5	1.75
Wood (Min. S.G. = 0.55)	1.625	0.75

ANCHOR SCHEDULE



285 INDUSTRIAL DR.
MOSCOW, TN 38057
PH: (954)-877-1288

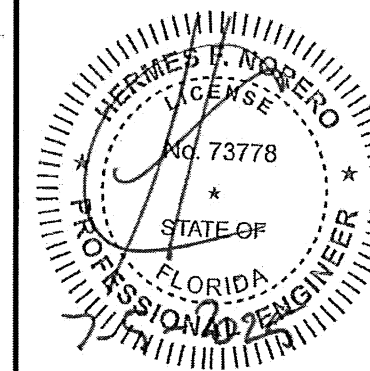
TITLE: POLYCARBONATE STORM PANEL
(HVHZ) (IMPACT)
ELEVATIONS &
ANCHOR LAYOUT

PREPARED BY: BUILDING DROPS, INC.
1900 NE MIAMI CT UNIT 2-15
MIAMI, FL 33132
PH: (954) 399-8478
FAX: (954) 744-4798
WEB: www.buildingdrops.com



REMARKS	BY	DATE
FBC 2020 UPDATE	LL	06/21
FBC 2023 UPDATE	FB	08/24

THE INSTALLATION DETAILS DESCRIBED HEREIN ARE GENERIC AND MAY NOT REFLECT ACTUAL CONDITIONS FOR A SPECIFIC SITE. IF SITE CONDITIONS CAUSE INSTALLATION TO DEVIATE FROM THE REQUIREMENTS DETAILED HEREIN, A LICENSED ENGINEER OR ARCHITECT SHALL PREPARE SITE SPECIFIC DOCUMENTS FOR USE WITH THIS DOCUMENT.



HERMES F. NORERO, P.E.
FLORIDA P.E. No. 73778
BUILDING DROPS, INC
1900 NE MIAMI CT, UNIT 2-15
MIAMI FL 33132
FBPE CERT. OF AUTHORIZATION No. 29578

Approved as complying with the
Florida Building Code
Date 06/04/26
NOA# 26-0416-08
Miami Dade Product Control
By *Helga A. Miller*

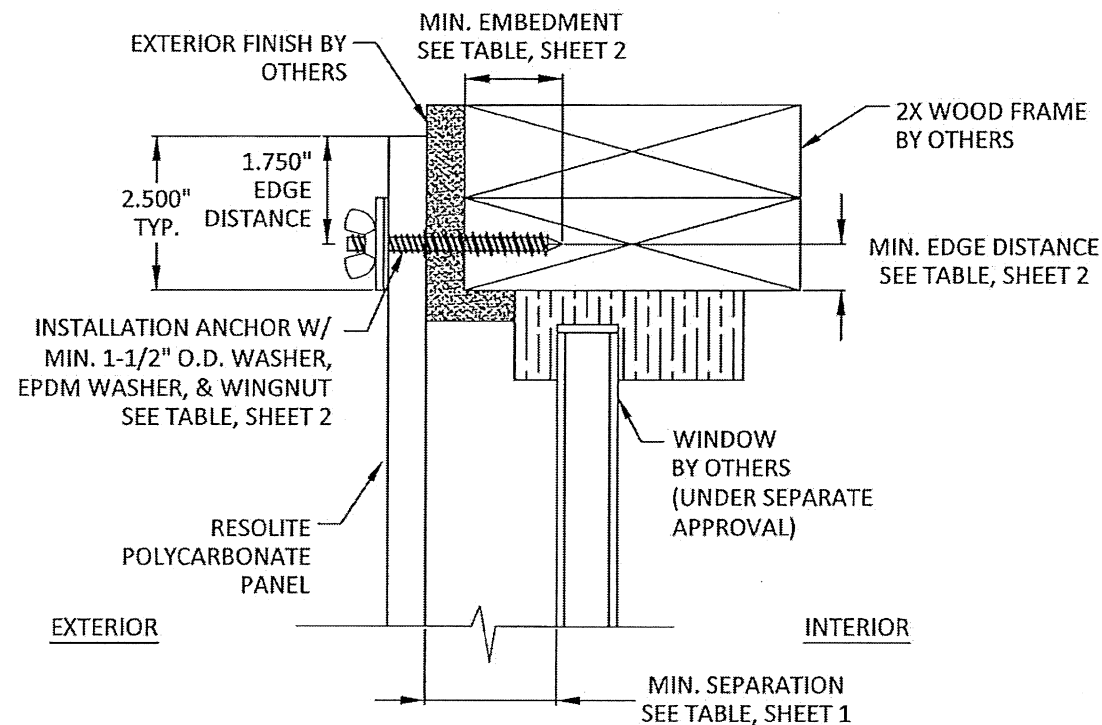
DATE: 06.12.25	
DWG. BY: FB	CHK. BY: HFN
SCALE: NTS	
DWG. #: RES004	
SHEET:	

2

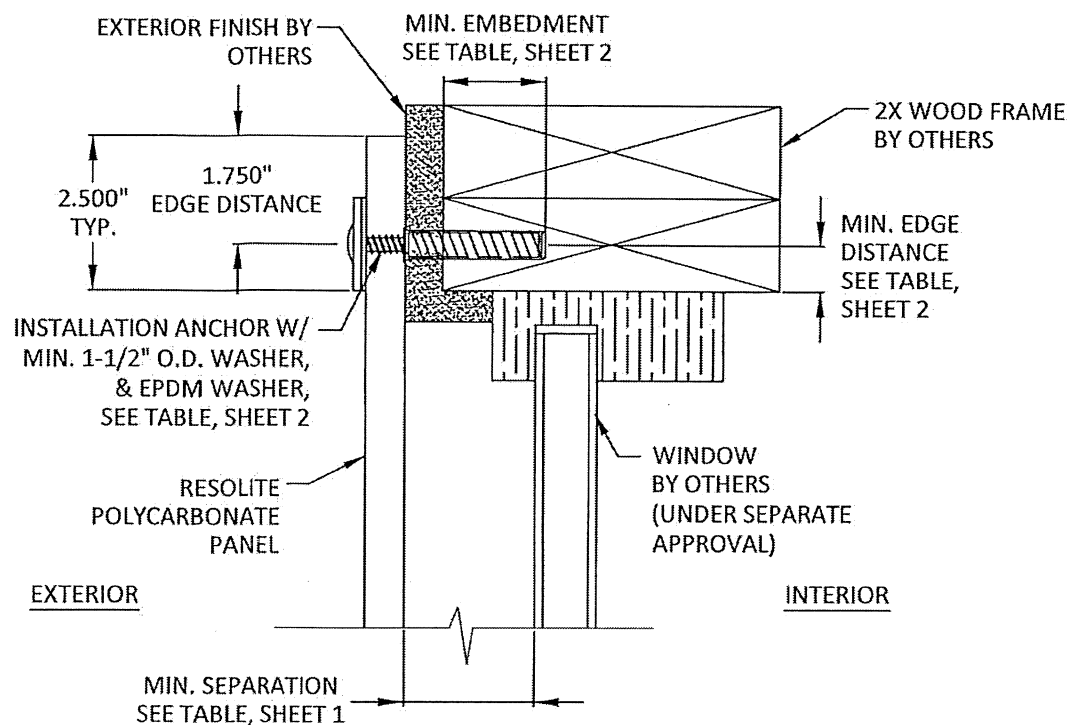
OF 4

6/12/2025 6:13 PM

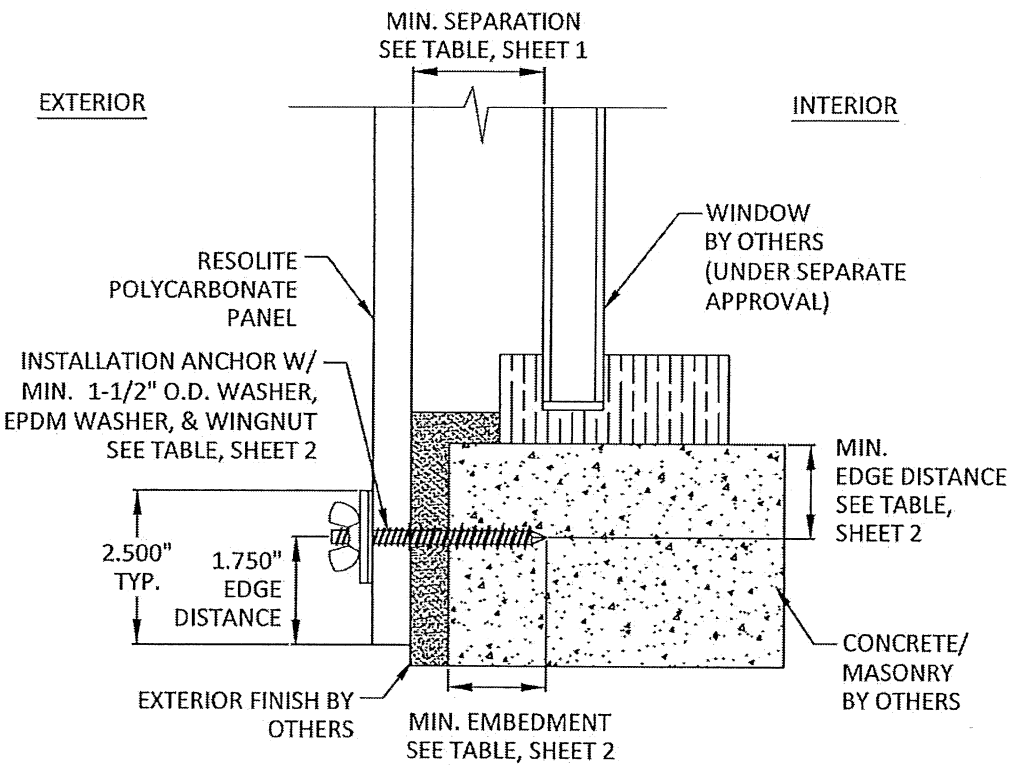
c:\users\francisco\building_drops - common\project\stabilit-america\c-26-0328 - md-submittal - code change\dwg\archive\res004.dwg



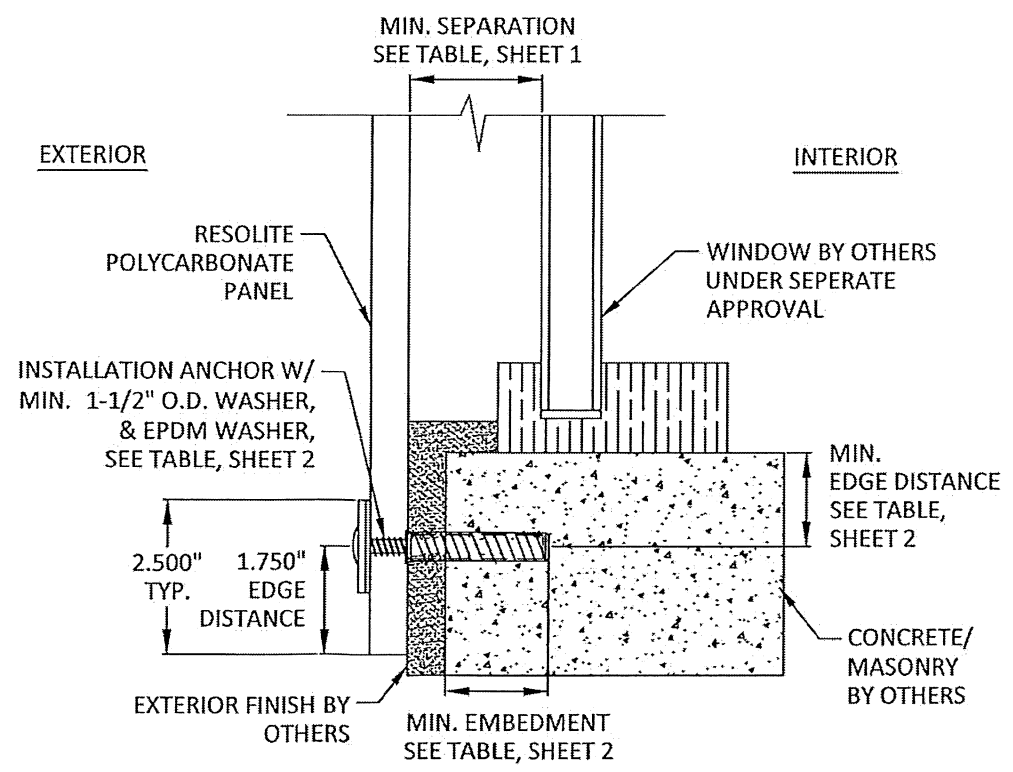
A
3 VERTICAL SECTION
HEAD - 2X WOOD FRAME
PANELMATE PLUS OR TAPCON SG ANCHOR



C
3 VERTICAL SECTION
HEAD - 2X WOOD FRAME
PANELMATE INSERT ANCHOR



B
3 VERTICAL SECTION
SILL - CONCRETE/MASONRY
PANELMATE PLUS OR TAPCON SG ANCHOR



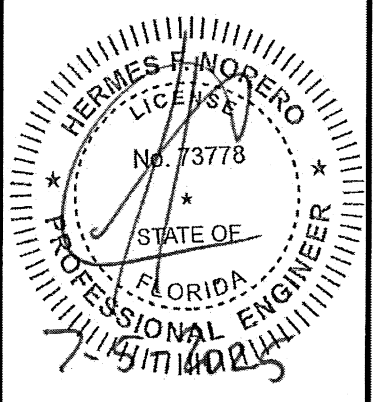
D
3 VERTICAL SECTION
SILL - CONCRETE/MASONRY
PANELMATE INSERT ANCHOR



TITLE: POLYCARBONATE STORM PANEL (HVHZ) (IMPACT) VERTICAL SECTIONS
 PREPARED BY: BUILDING DROPS, INC.
 1900 NE MIAMI CT. UNIT 2-15 MIAMI, FL 33132
 PH: (954)399-8478 FAX: (954)744-4798
 WEB: www.buildingdrops.com

REMARKS	BY	DATE
FBC 2020 UPDATE	LL	06/21
FBC 2023 UPDATE	FB	08/24

THE INSTALLATION DETAILS DESCRIBED HEREIN ARE GENERIC AND MAY NOT REFLECT ACTUAL CONDITIONS FOR A SPECIFIC SITE. IF SITE CONDITIONS CAUSE INSTALLATION TO DEVIATE FROM THE REQUIREMENTS DETAILED HEREIN, A LICENSED ENGINEER OR ARCHITECT SHALL PREPARE SITE SPECIFIC DOCUMENTS FOR USE WITH THIS DOCUMENT.



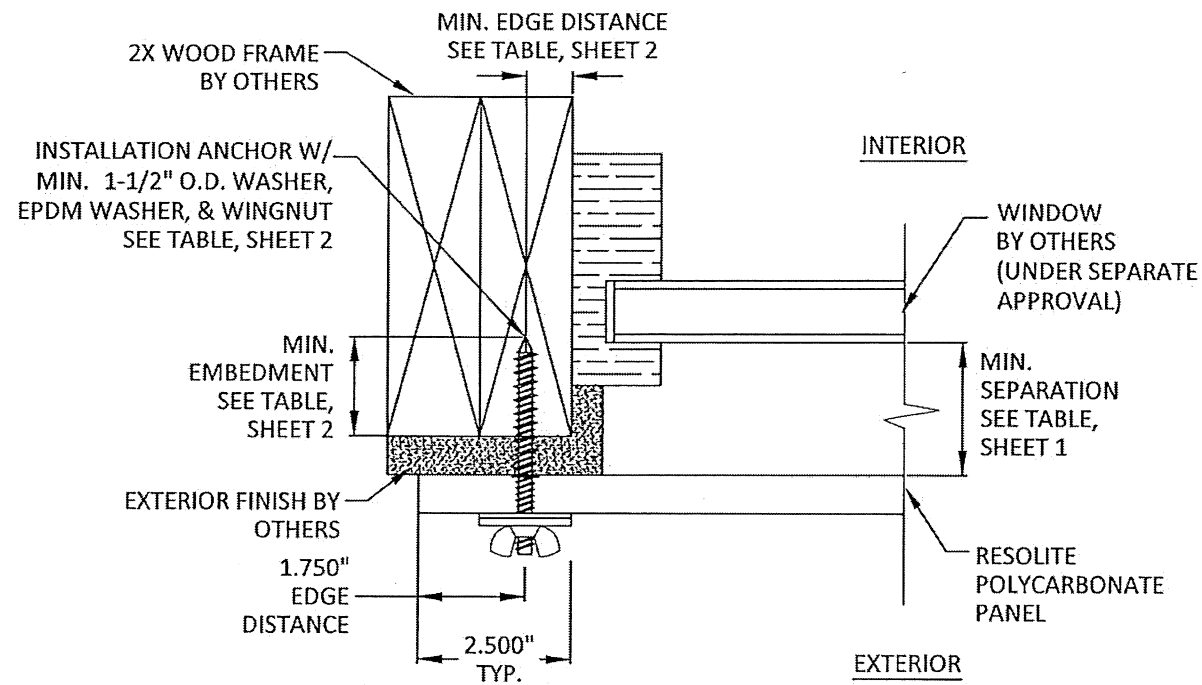
HERMES F. NORERO, P.E.
 FLORIDA P.E. No. 73778
 BUILDING DROPS, INC.
 1900 NE MIAMI CT. UNIT 2-15
 MIAMI FL 33132
 FBPE CERT. OF AUTHORIZATION No. 29578

Approved as complying with the Florida Building Code
 Date 06/04/26
 NOA# 26-0416.08
 Miami Dade Product Control
 By *Hely A. Melon*

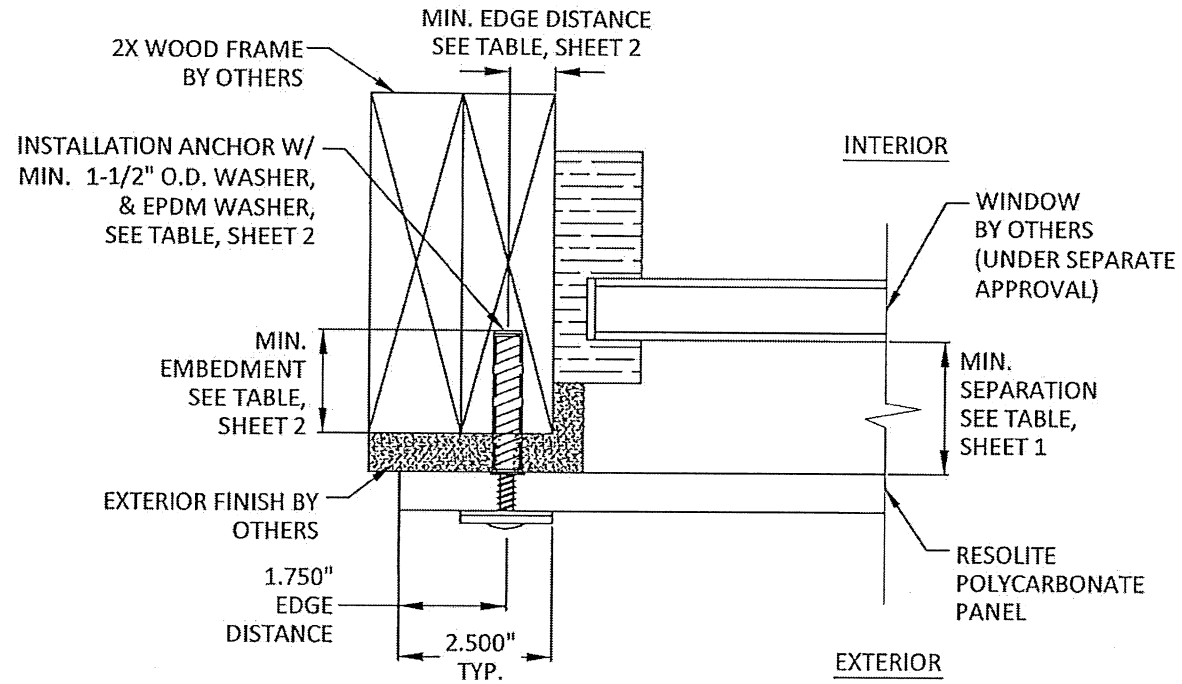
DATE:	06.12.25	
DWG. BY:	FB	CHK. BY: HFN
SCALE:	NTS	
DWG. #:	RES004	
SHEET:	3	

6/12/2025 6:13 PM

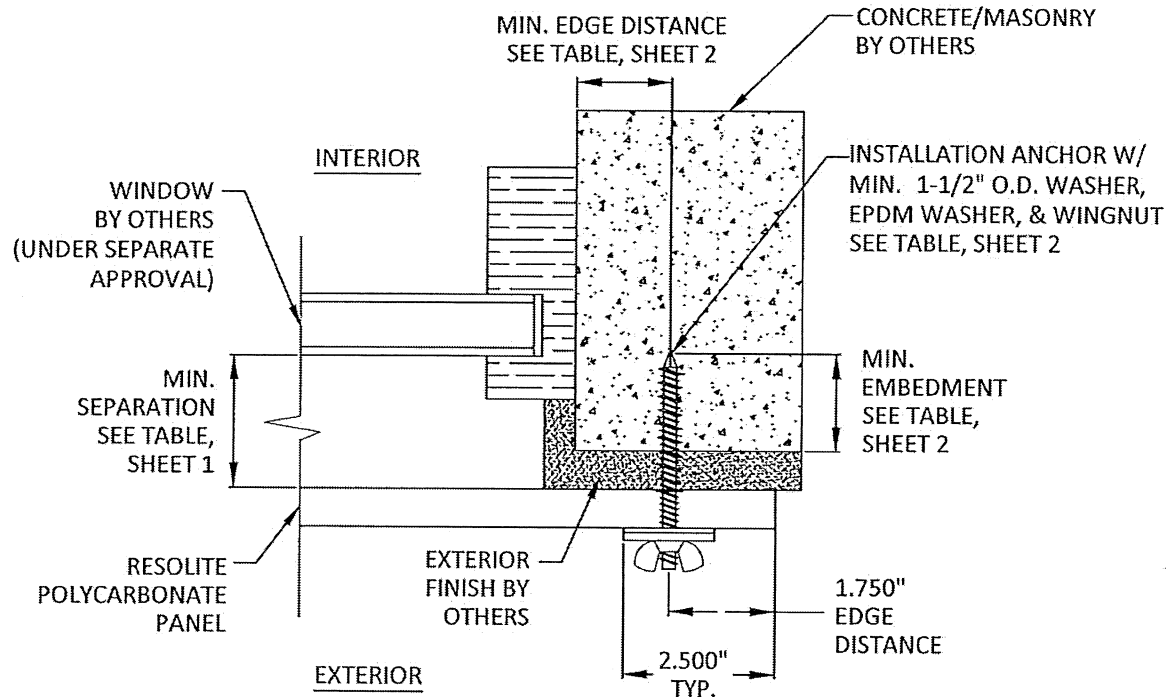
c:\users\francisco\building_drops_in\building_drops\project\stabilitt\americat\ce-24-0328 - md\submital - code change\dwg\archivet\res004.dwg



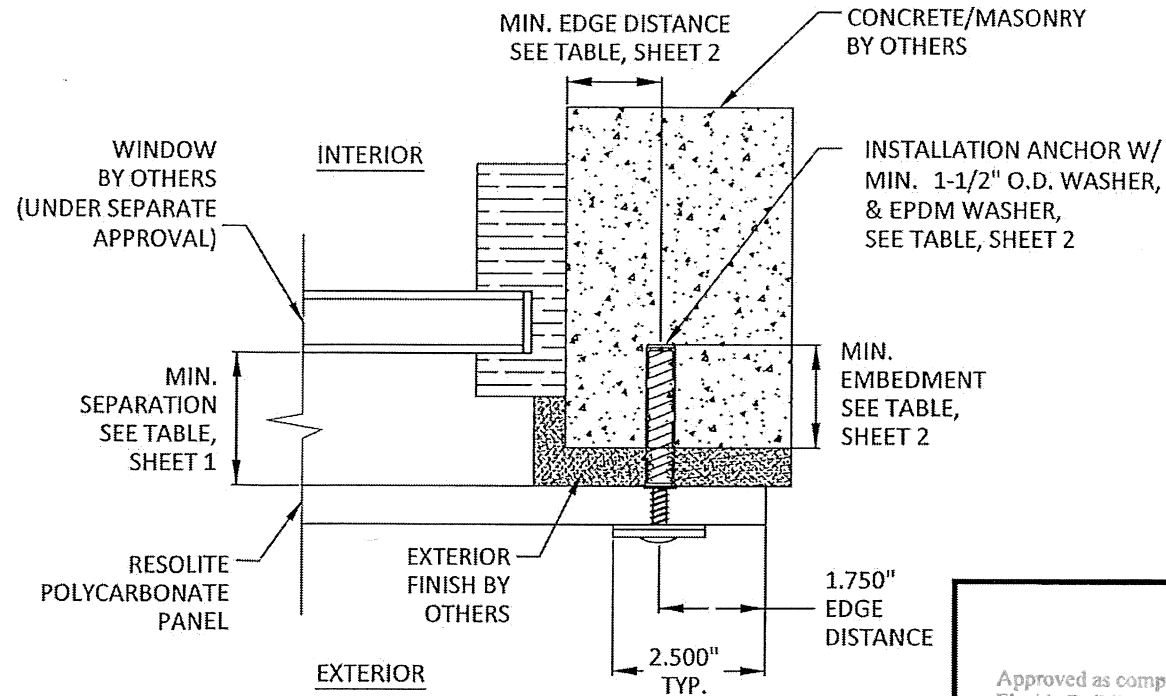
A
4 **HORIZONTAL SECTION**
JAMB - 2X WOOD FRAME
PANELMATE PLUS OR TAPCON SG ANCHOR



C
4 **HORIZONTAL SECTION**
JAMB - 2X WOOD FRAME
PANELMATE INSERT ANCHOR



B
4 **HORIZONTAL SECTION**
JAMB - CONCRETE/MASONRY
PANELMATE PLUS OR TAPCON SG ANCHOR



D
4 **HORIZONTAL SECTION**
JAMB - CONCRETE/MASONRY
PANELMATE INSERT ANCHOR



285 INDUSTRIAL DR.
MOSCOW, TN 38057
PH: (954)-877-1288

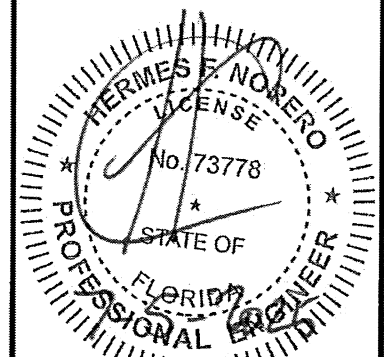
TITLE: POLYCARBONATE STORM PANEL (HVHZ) (IMPACT)
HORIZONTAL SECTIONS

PREPARED BY: BUILDING DROPS, INC.
1900 NE MIAMI CT UNIT 2-15
MIAMI, FL 33132
PH: (954)989-8478
FAX: (954)744-4738
WEB: www.buildingdrops.com



REMARKS	BY	DATE
FBC 2020 UPDATE	LL	06/21
FBC 2023 UPDATE	FB	08/24

THE INSTALLATION DETAILS DESCRIBED HEREIN ARE GENERIC AND MAY NOT REFLECT ACTUAL CONDITIONS FOR A SPECIFIC SITE. IF SITE CONDITIONS CAUSE INSTALLATION TO DEVIATE FROM THE REQUIREMENTS DETAILED HEREIN, A LICENSED ENGINEER OR ARCHITECT SHALL PREPARE SITE SPECIFIC DOCUMENTS FOR USE WITH THIS DOCUMENT.



HERMES F. NORERO, P.E.
FLORIDA P.E. No. 73778
BUILDING DROPS, INC.
1900 NE MIAMI CT. UNIT 2-15
MIAMI FL 33132
FBPE CERT. OF AUTHORIZATION No. 29578

Approved as complying with the Florida Building Code
Date 06/04/26
NOA# 26-0416.08
Miami Dade Product Control
By *Hely A. Melor*

DATE:	06.12.25	
DWG. BY:	FB	CHK. BY: HFN
SCALE:	NTS	
DWG. #:	RES004	
SHEET:	4	