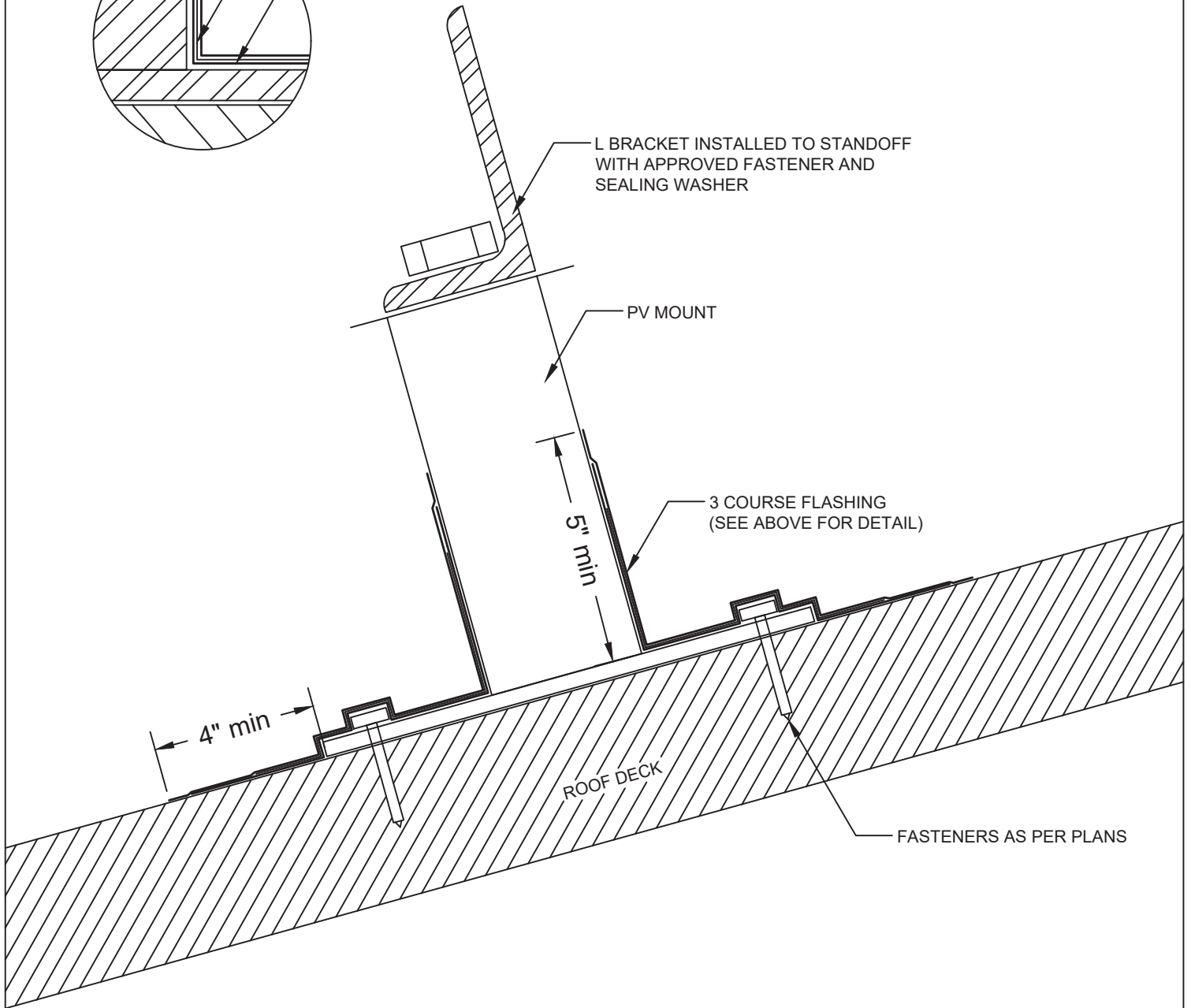
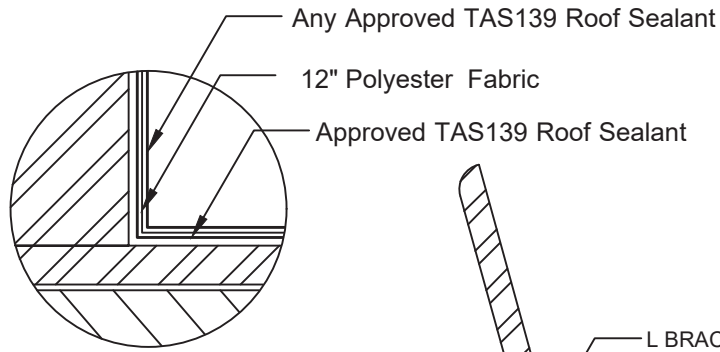


### 3 COURSE FLASHING



**NOTE:**

1. APPLY ROOF SEALANT TO BOTTOM OF PENETRATION FLANGE AND DIRECT TO ROOF DECK.
2. 3 COURSE FLASHING UTILIZING ROOF SEALANT AND 12" POLYETSER FABRIC AND ALLOW TO DRY.



### PV MOUNT DETAIL - TILE ROOF

SCALE	Process Number
N.T.S.	