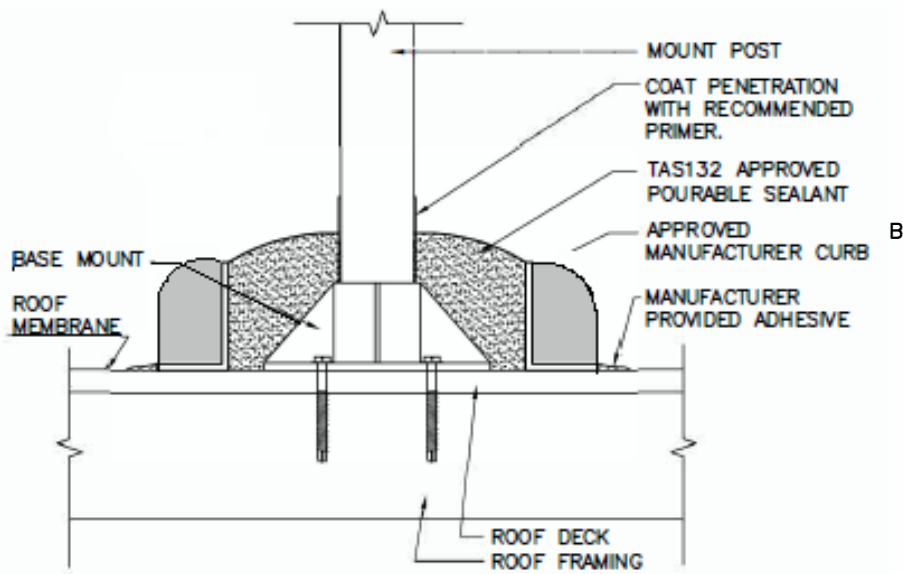


PLAN VIEW

N.T.S.



ELEVATION VIEW

N.T.S.

NOTES:

1. FOR TPO OR EPDM AN ADDITIONAL PRIMER MAY BE REQUIRED.
2. MAXIMUM ALLOWABLE SLOPE LESS THAN 2:12.



MANUFACTURED CURB FLASHING DETAIL
LOW SLOPE

JOB ADDRESS:

PROCESS NUMBER: