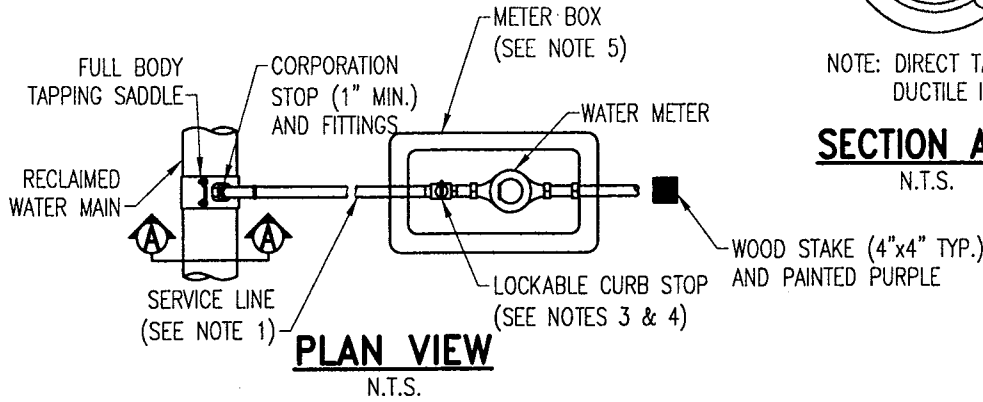
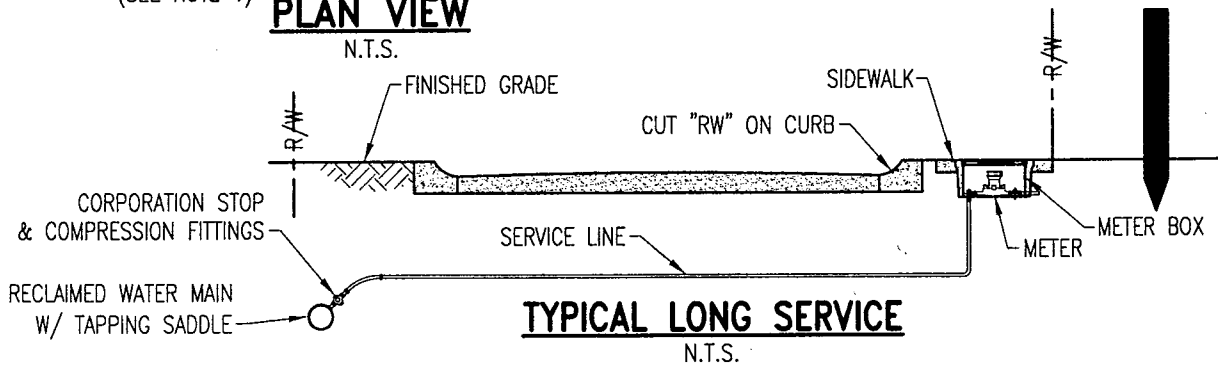


NOTE: DIRECT TAPS ALLOWED INTO SOME SIZES OF DUCTILE IRON PIPE. SEE WS 2.16, 3 OF 4.

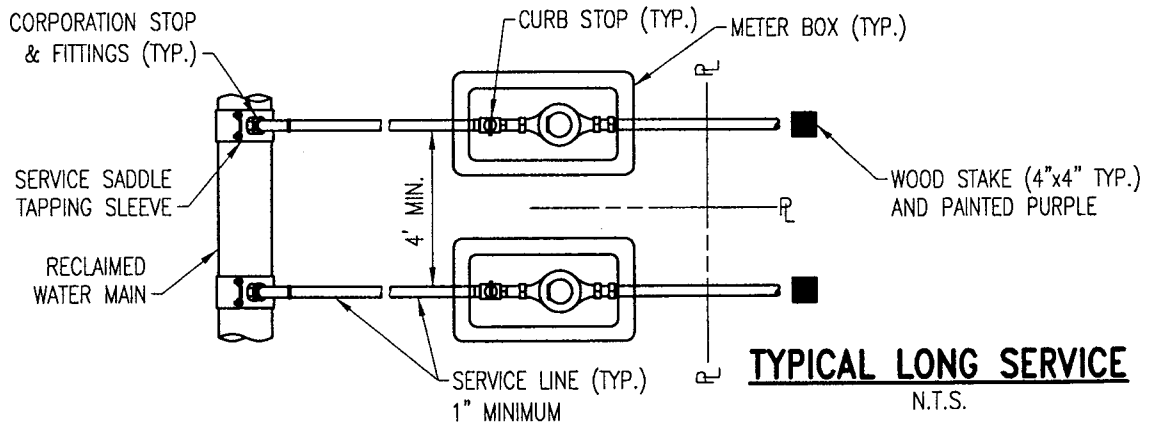
SECTION A-A
N.T.S.



PLAN VIEW
N.T.S.



TYPICAL LONG SERVICE
N.T.S.



TYPICAL LONG SERVICE
N.T.S.

NOTES:

1. TUBING SHALL BE POLYETHYLENE WITH A MINIMUM PRESSURE RATING OF 200 PSI. TUBING SHALL BE PURPLE PANTONE 522C.
2. FITTINGS SHALL BE BRASS WITH COMPRESSION/PACK JOINT TYPE CONNECTIONS.
3. NO SERVICE LINE SHALL TERMINATE UNDER A DRIVEWAY. EACH SERVICE LINE SHALL TERMINATE IN A METER BOX (INSTALLED BY MDWASD) WITH A CURB STOP.
4. CURB STOP SHALL BE THE LOCKABLE TYPE WITH THE WINGS EMBOSSED WITH "RECLAIMED". CURB STOP SHALL BE MUELLER OR APPROVED EQUAL.
5. FOR SPECIFICATIONS AND DETAILS OF METER BOX AND VAULT, SEE MDWASD STANDARD DETAILS WS 2.05, WS 2.10, WS 2.12, WS 2.16, WS 2.17, WS 2.19, WS 2.20, WS 2.21, WS 2.30 AND WS 2.40. ALL REFERENCES TO "WATER" SHALL BE REPLACED BY "RECLAIMED WATER".

ITEM	CROSS REF.	SPEC. REF.



ISSUE DATE	APPROVED BY
06/01/2008	V.E.F.

STANDARD DETAIL
RESIDENTIAL SERVICE CONNECTION

R
3.0
SHEET 1 OF 1