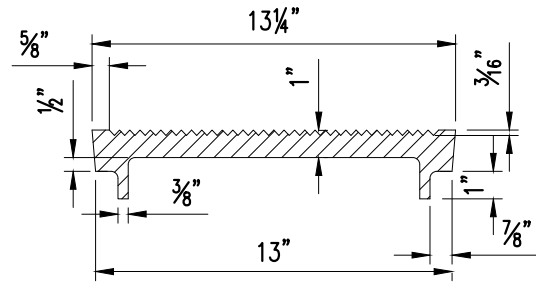
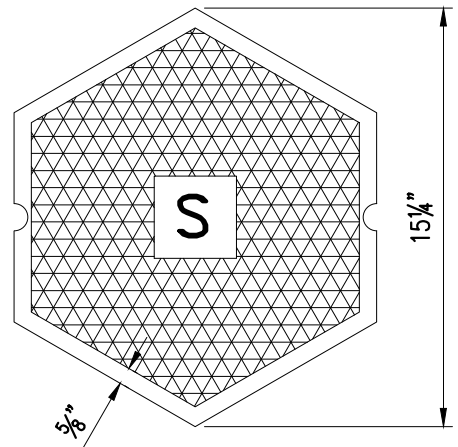


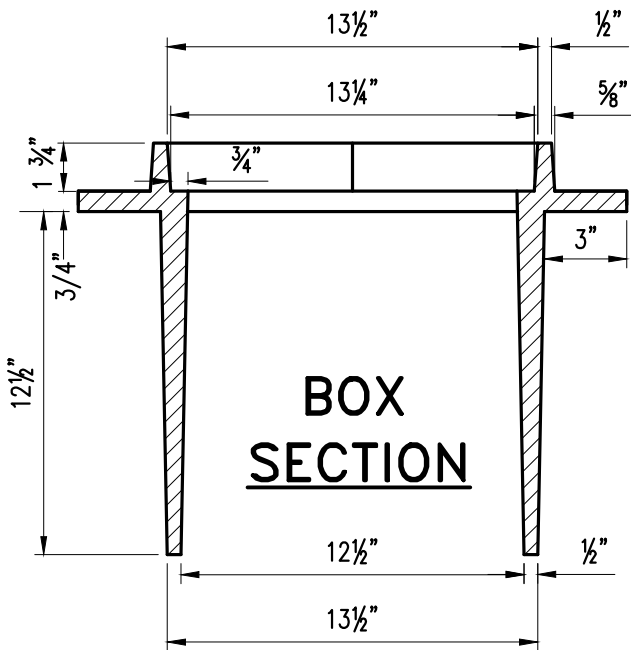
BOX PLAN



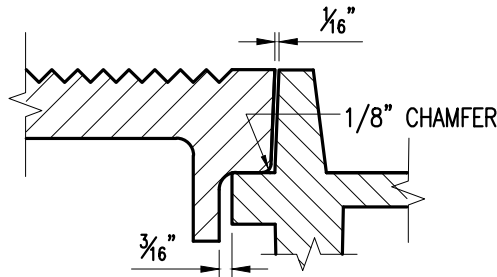
LID SECTION



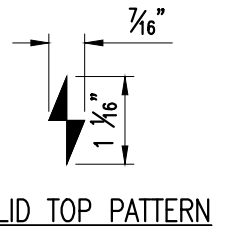
LID PLAN



BOX SECTION



LID DETAIL



LID TOP PATTERN

NOTES:

1. MACHINE FINISH BOTTOM OF COVER AND SEAT OF FRAME.
2. ALL DIMENSIONS ARE NET CASTING, NOT PATTERN.
3. FOUNDRY AND LOCATION SHALL BE CAST ON BOTTOM OF THE LID. (SEE WS 2.05)
4. MINIMUM WEIGHTS: RING: 134LBS
COVER: 44LBS

XXXXX		
ITEM	CROSS REF.	SPEC. REF.



ISSUE DATE	APPROVED BY
06/25/2015	J.B.F.

STANDARD DETAIL

No. 53 C.I. VALVE
BOX AND LID

SS
13.0
SHEET 1 OF 1