

BOTTOM OF ROADWAY BASE OR EXISTING GROUND

FOR PAVEMENT RESTORATION REFER TO D.O.T., DADE COUNTY PUBLIC WORKS OR SPECIFIC MUNICIPALITY STANDARDS.

TABLE No. 1

PIPE SIZE	TRENCH WIDTH
6"	30"
8"	40"
10"	50"
12"	60"
15"	75"

SELECT BACKFILL PLACED AND COMPACTED TO AT LEAST 90% OF MAXIMUM DENSITY, 2" MAXIMUM SIZE, 6" LIFTS, PER AASHTO SPEC. No. T-180.

SUITABLE BACKFILL PLACED AND COMPACTED TO AT LEAST 98% OF MAXIMUM DENSITY, 6" MAXIMUM SIZE, 9" LIFTS, PER AASHTO SPEC. No. T-180. (FOR D.O.T. MAINTAINED ROADS CHECK SPECIFIC REQUIREMENTS) AND ANY OTHER JURISDICTION.

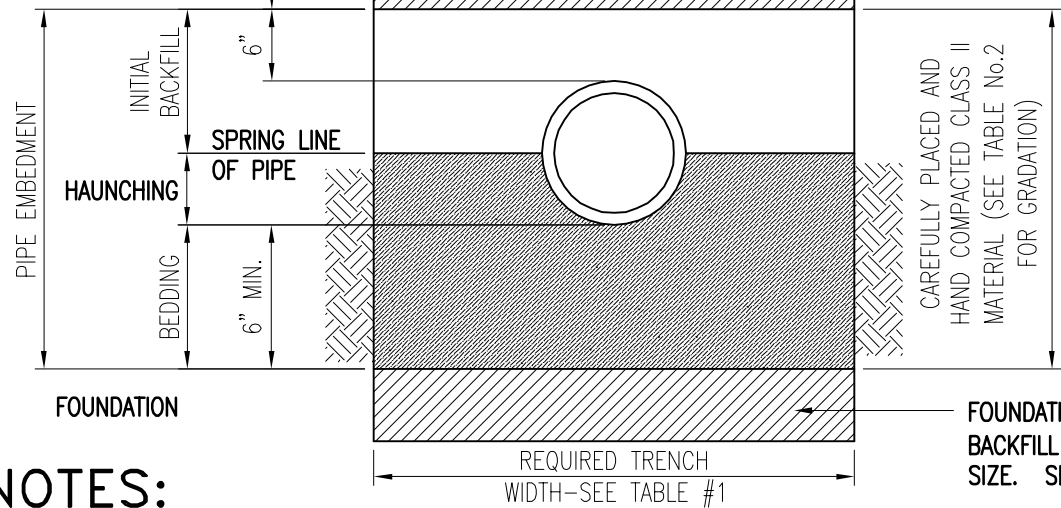


TABLE No. 2

SLEVE SIZE	PERCENT PASSING BY WEIGHT
3/4"	100
3/8"	85-100
#8	40-60
#30	5-30

NOTES:

- FOR EXCAVATION AND BACKFILL AROUND MANHOLES, APPURTENANCES, OR IN WATER, REFER TO PROVISIONS WITHIN THE SPECIFICATIONS.
- CLASS II MATERIALS ARE WELL GRADED COURSE SANDS AND GRAVEL SEE TABLE No. 2 FOR GRADATION REQUIREMENTS.
- WHERE REQUIRED, SHEETING AND SHORING SHALL BE IN ACCORDANCE WITH SPECIFICATIONS AND CODES.
- UNSTABLE SOILS ARE PEAT, MUCK OR OTHER ORGANIC SOILS, ELASTIC SILT AND CLAYS BELOW THE WATER TABLE, AND FINE SANDS BELOW THE WATER TABLE.
- EXTEND EXCAVATION AT LEAST 2' DEEPER FOR FOUNDATION UNLESS SUITABLE MATERIAL IS FOUND AT A LESSER DEPTH. GREATER DEPTHS MAY BE REQUIRED FOR EXTREMELY POOR CONDITIONS.

ITEM	CROSS REF.	SPEC. REF.



ISSUE DATE	APPROVED BY
11/01/2006	V.E.F.

STANDARD DETAIL
**TYPICAL TRENCH CONSTRUCTION
 (PVC PIPE GRAVITY SEWERS IN
 UNSTABLE SOILS)**

**SS
 18.0
 SHEET 3 OF 3**