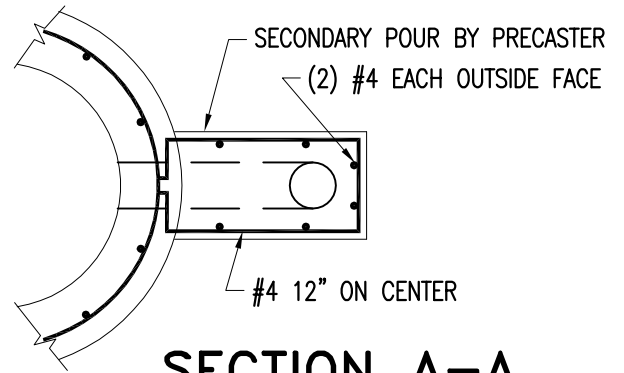


INDEX

- | | |
|--|--|
| <p>V.C.P.</p> <ul style="list-style-type: none"> (A) CLAY TEE BRANCH (B) V.C.P. P.E.xP.E. (C) CALY MANHOLE CURVE (D) 5' V.C.P. LENGTH | <p>P.V.C.</p> <ul style="list-style-type: none"> (A) P.V.C. TEE (B) P.V.C. P.E.xP.E. (C) P.V.C. 90° ELBOW (D) 13' P.V.C. LENGTH |
|--|--|

NOTES:

1. DROP CONNECTIONS SHALL BE REQUIRED WHENEVER AN INFLUENT SEWER IS LOCATED TWO (2) FEET OR MORE ABOVE THE MAIN INVERT CHANNEL.
2. A FLOW CHANNEL SHALL BE CONSTRUCTED INSIDE MANHOLE TO DIRECT INFLUENT INTO FLOW STREAM.
3. PIPING IN DROP SHALL BE ALL PVC OR ALL, VCP OR ALL DUCTILE IRON AS REQUIRED BY ZONING OR MDWASD.
4. DROP MANHOLES SHALL HAVE A CONCRETE PROTECTIVE COATING APPLIED OR BE CONSTRUCTED WITH CONSHIELD ANTIMICROBIAL ADDITIVE IN THE CONCRETE MIX.



SECTION A-A

STANDARD MANHOLE	SS 6.0	
FLOW PATTERNS	SS 10.0	
MANHOLE COVER	SS 4.0	
I T E M	CROSS REF.	SPEC. REF.



ISSUE DATE	APPROVED BY
10/19/2012	F.A.

STANDARD DETAIL
**DROP CONNECTION NEW
 PRECAST MANHOLE**

**SS
 9.0**
 SHEET 1 OF 1