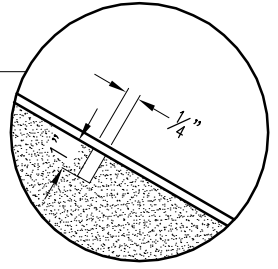
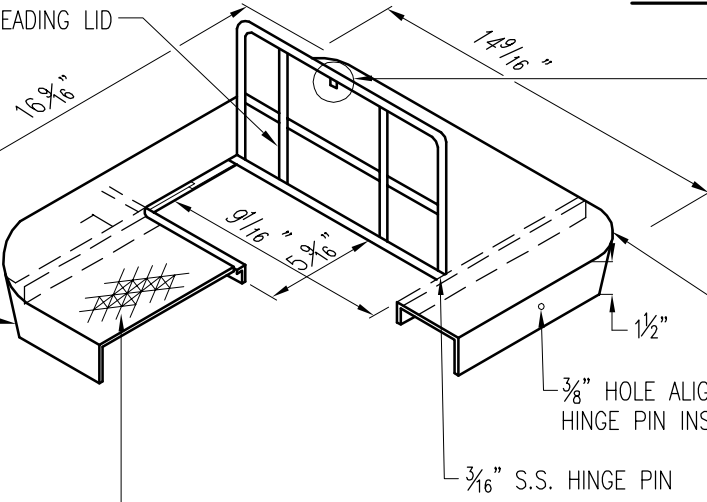


PICKHOLE DETAIL

HINGED C.I. READING LID



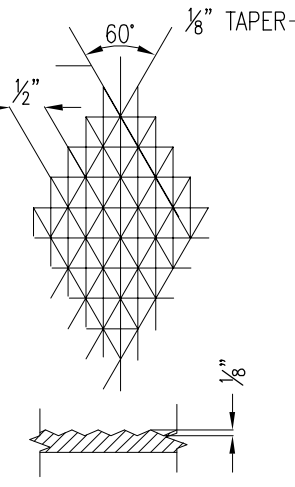
2 3/8" COVER RADIUS

3/8" HOLE ALIGNED FOR HINGE PIN INSERTION

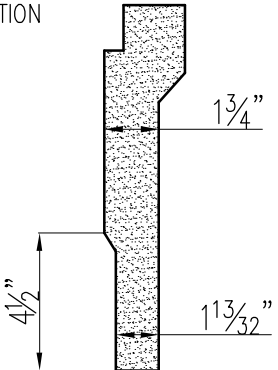
3/16" S.S. HINGE PIN

CAST. PEDESTRIAN NON-SKID PATTERN TOP SURFACE, INCLUDING LID

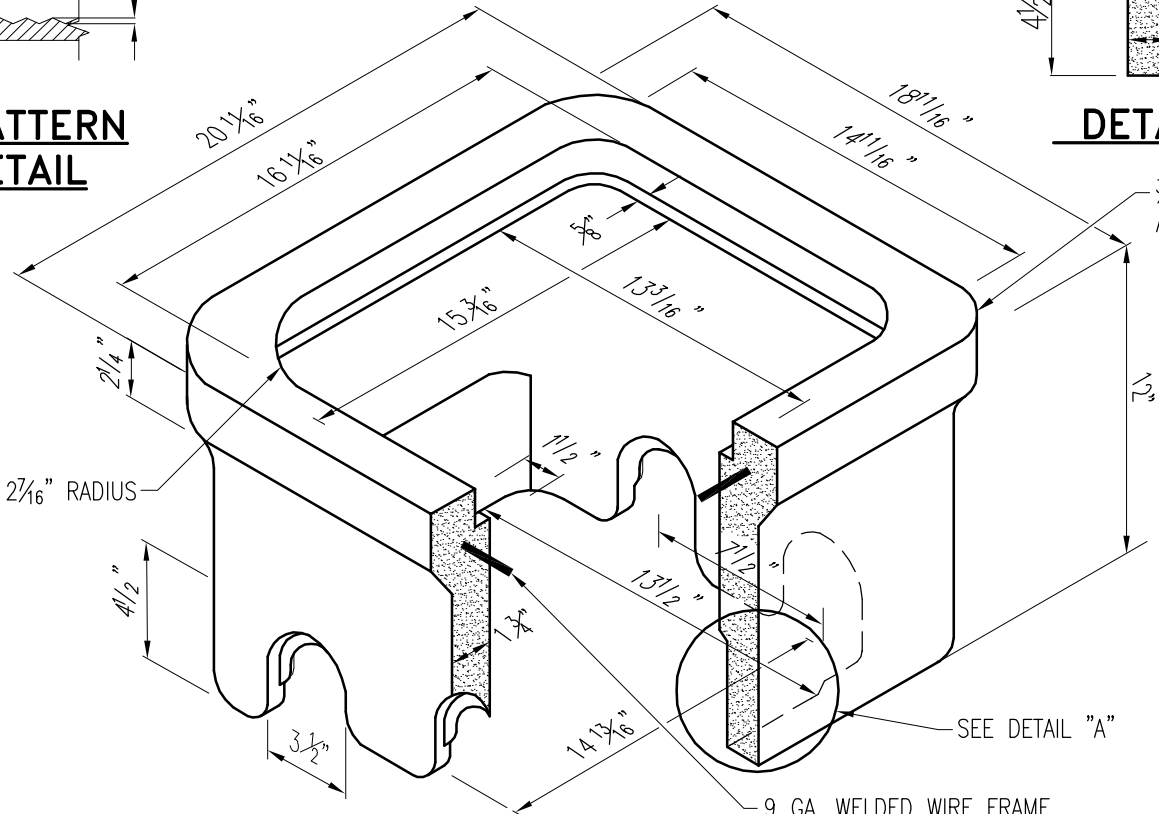
C.I. COVER WITH HINGED LID



PATTERN DETAIL



DETAIL "A"



CONCRETE BODY

NOTE:

- 1. SOME DIMENSIONS MAY VARY WITH DEPARTMENT APPROVAL.
- LID W.T.= MAX. 33 LBS., MIN. 26 LBS.
- 2. METERS WILL NOT BE INSTALLED IF THE METER BOX IS IN A DRIVING SURFACE.

ITEM	CROSS REF.	SPEC. REF.



ISSUE DATE	APPROVED BY
11/01/2006	V.F.C.

STANDARD DETAIL
 DUAL METER BOX
 INSTALLATION

WS
 2.12
 SHEET 1 OF 2