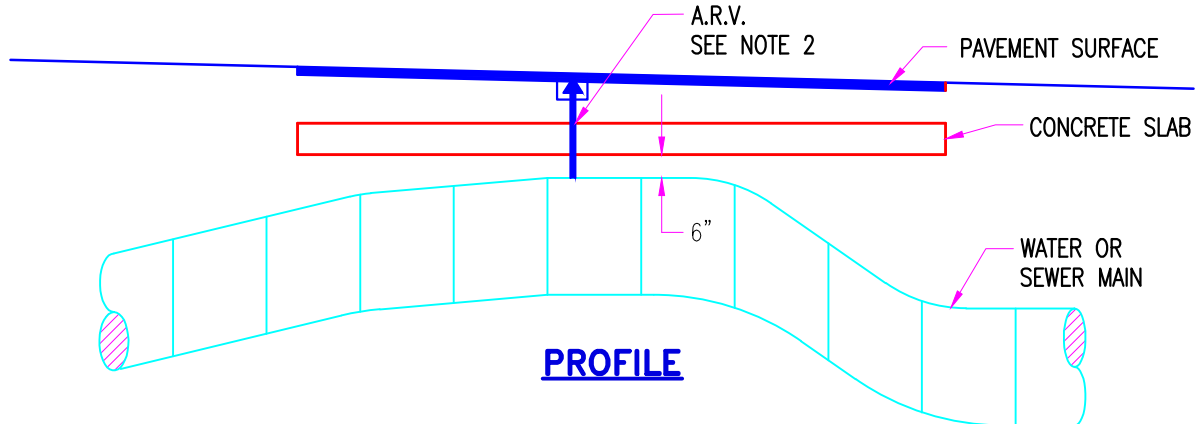
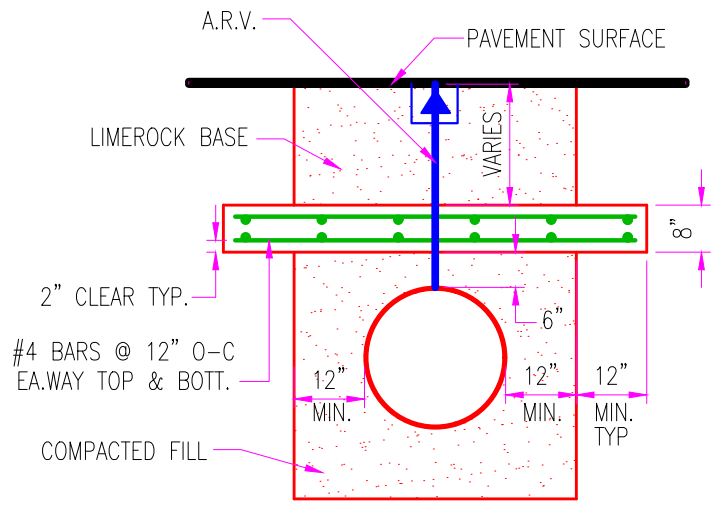


PLAN



PROFILE



SECTION A-A

NOTES:

1. FOR PIPE DIA. \geq 30", REINF. CONCRETE SLAB TO BE DESIGNED BY A FLA. REGISTERED P.E. AND SUBMITTED FOR APPROVAL.
2. AIR RELEASE VALVES (A.R.V.) REQUIRED ON SEWER FORCE MAINS ONLY.
3. EXTEND CONCRETE SLAB UNTIL COVER EXCEEDS 30".
4. CONCRETE TO BE 3,000 psi.
5. THIS DETAIL TO BE USED ONLY WITH WRITTEN APPROVAL FROM WASD.

AIR RELEASE VALVE	SS 11.0	
ITEM	CROSS REF.	SPEC. REF.



ISSUE DATE	APPROVED BY
06/01/2008	V. E. F.
07/20/2016	D.V.

STANDARD DETAIL
**REINFORCED CONC. SLAB
 FOR GROUND COVER
 LESS THAN 2.5'**

**GS
 1.2
 SHEET 1 OF 1**