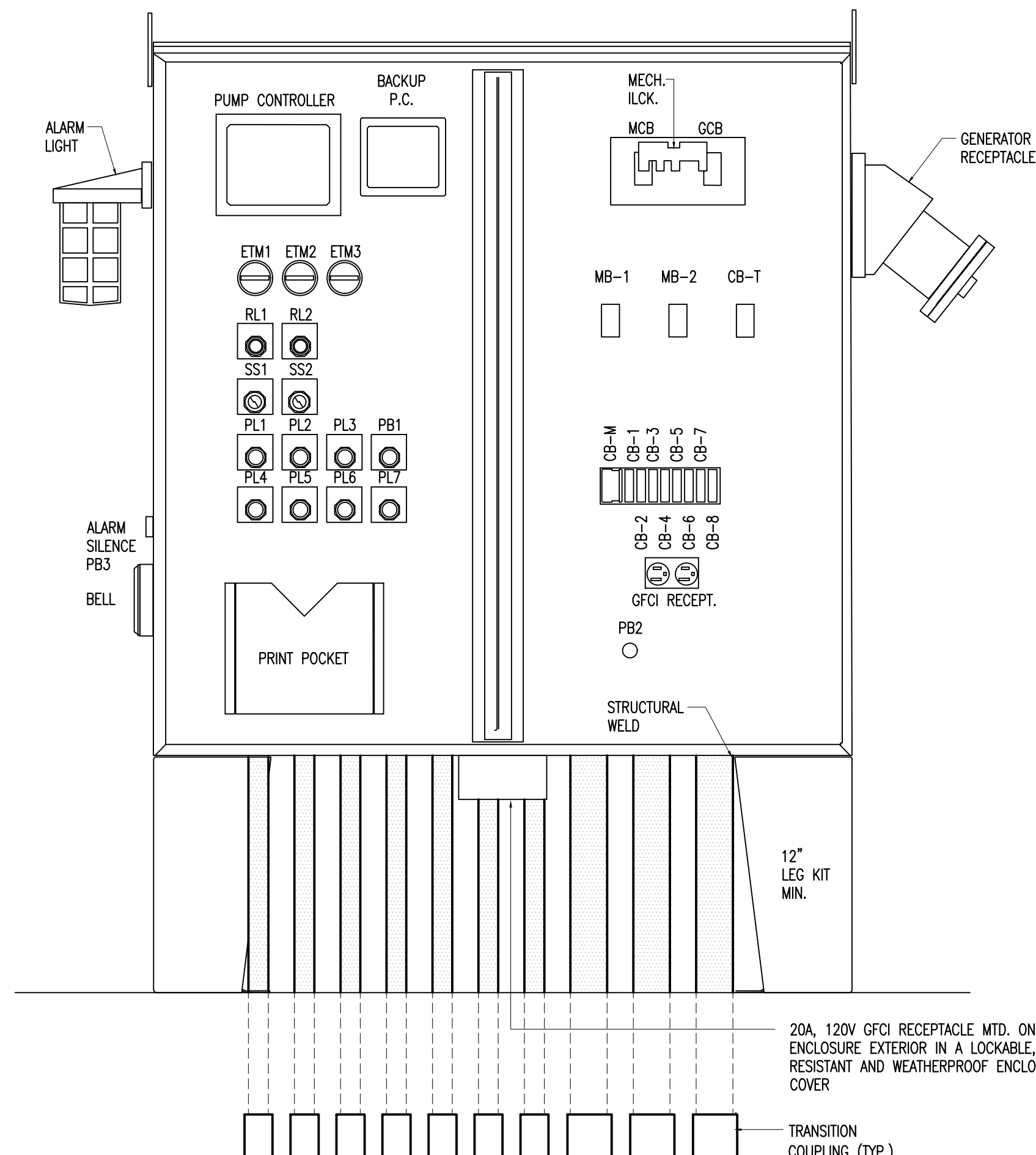


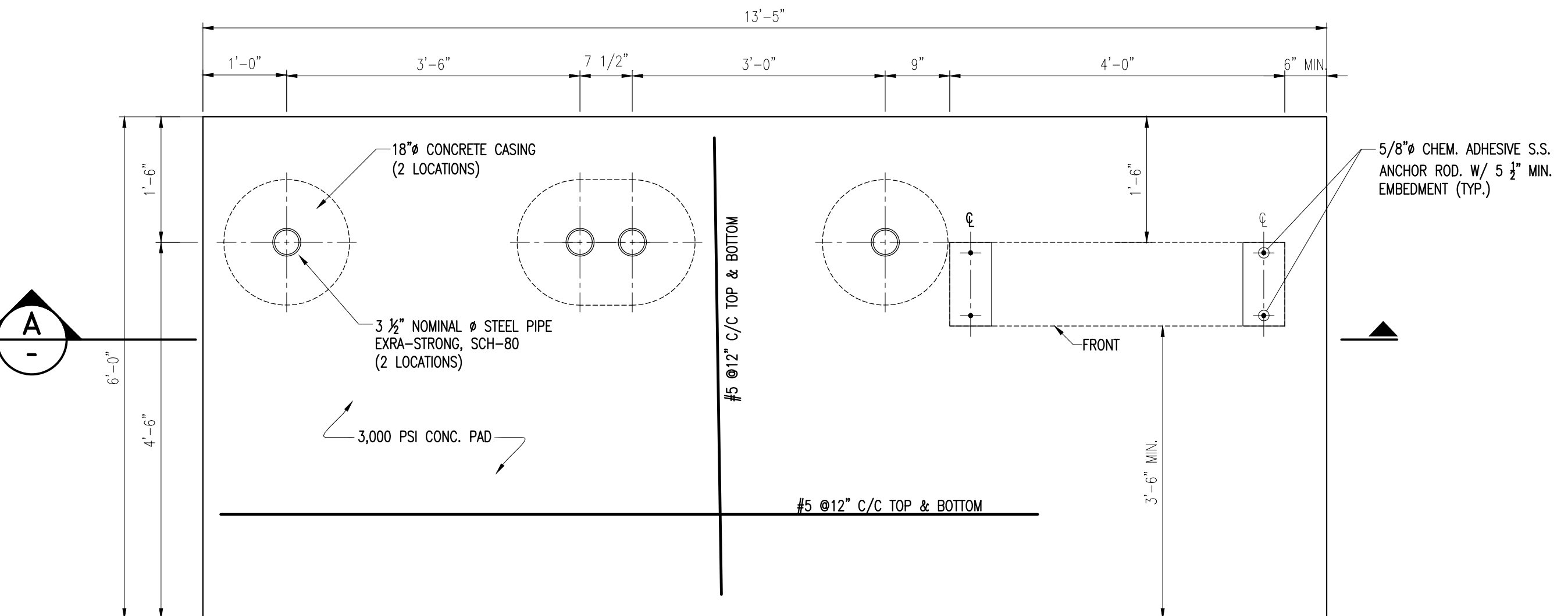
EQUIPMENT ELEVATION
NOT TO SCALE

- GROUNDING NOTES:**
- GROUNDING ELECTRODE CONDUCTOR SIZED PER TABLE IN SHEET E-3, IN 1" C. INSTALL BETWEEN SERVICE DISCONNECTING MEANS AND GROUNDING ELECTRODE SYSTEM.
 - 3/4" x 10" DEEP COPPER CLAD GROUND RODS AT LEAST 6' APART.
 - #4 AWG STRANDED BARE SOFT DRAWN COPPER WIRE BONDED TO REINFORCING STEEL IN CONCRETE PAD.
 - STRANDED BARE SOFT DRAWN COPPER GROUND WIRE SIZED PER TABLE IN SHEET E-3. INSTALL 30" DEEP.
 - ALL CABLE-TO-ROD, CABLE-TO-STRUCTURAL REBAR, AND CABLE-TO-CABLE CONNECTIONS SHALL BE MADE USING EXOTHERMIC WELDING (CADWELD) PROCESS.

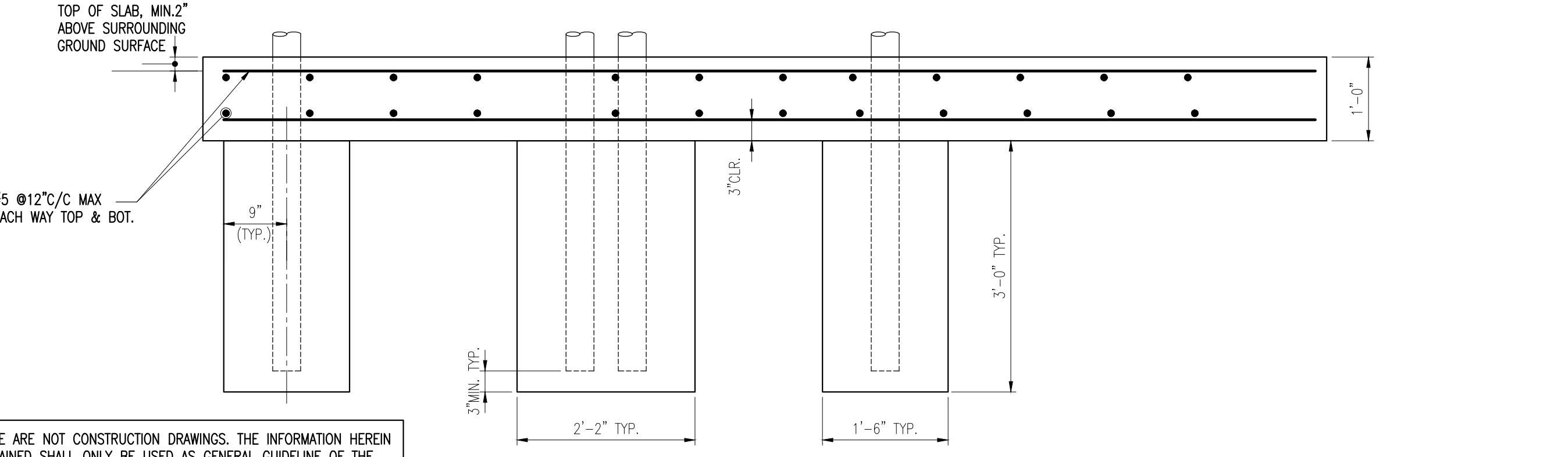


CONTROL PANEL DETAIL
NOT TO SCALE

- NOTES:**
- OUTER DOORS REMOVED TO SHOW DEADFRONT
 - PROVIDE INNER AND OUTER DOOR STOP KITS
 - CONTROL CABINET DEPTH SHALL NOT EXCEED 12 IN.
 - SUPPORTS SHALL MEET LATEST WIND LOAD REQUIREMENTS OF THE LATEST FLORIDA BUILDING CODE
 - TOP OF CONTROL PANEL, RTU, AND ELECTRICAL SERVICE EQUIPMENT SHALL BE AT THE SAME ELEVATION

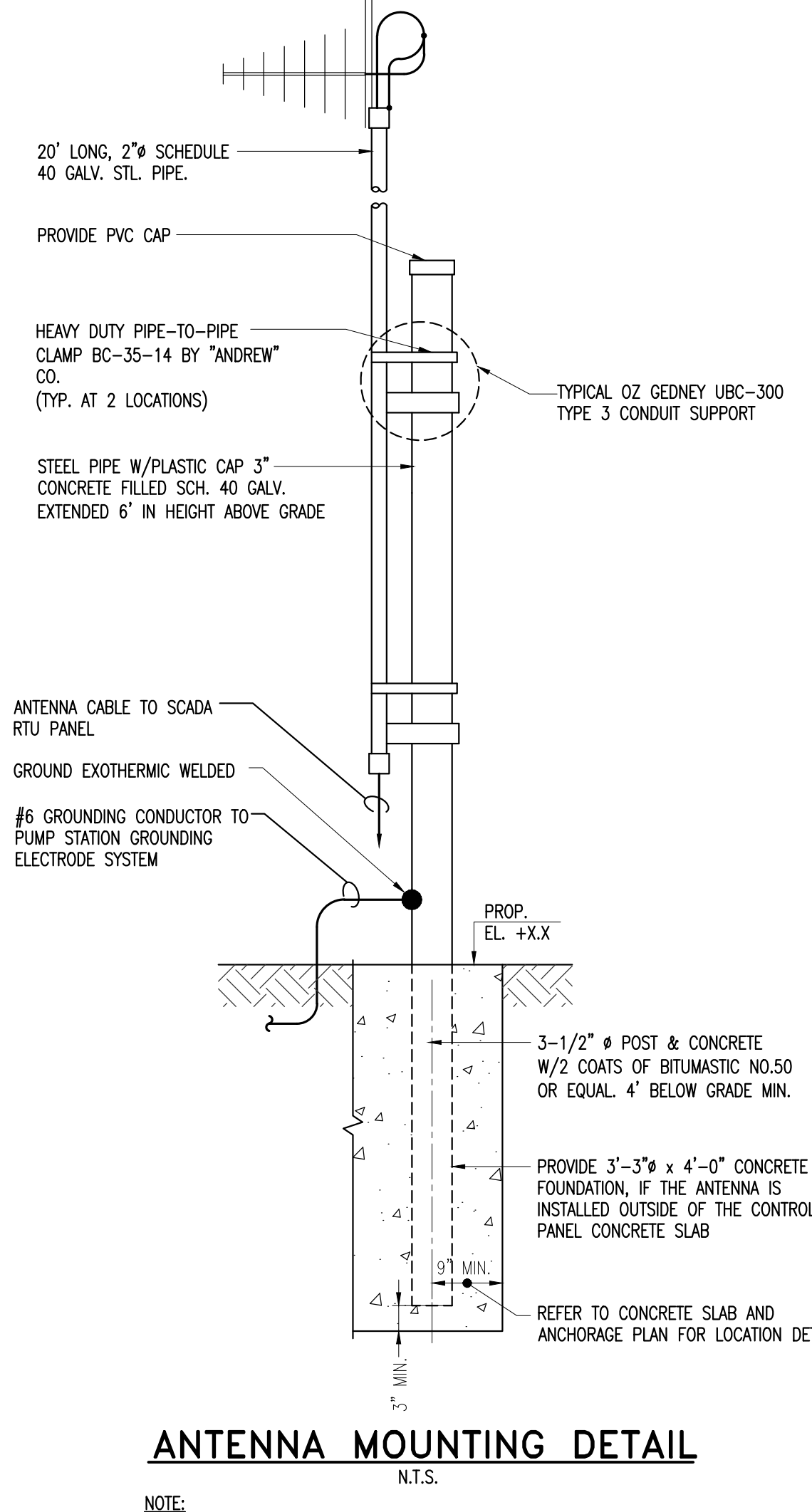


CONCRETE SLAB AND ANCHORAGE PLAN
SCALE: 3/4" = 1'-0"



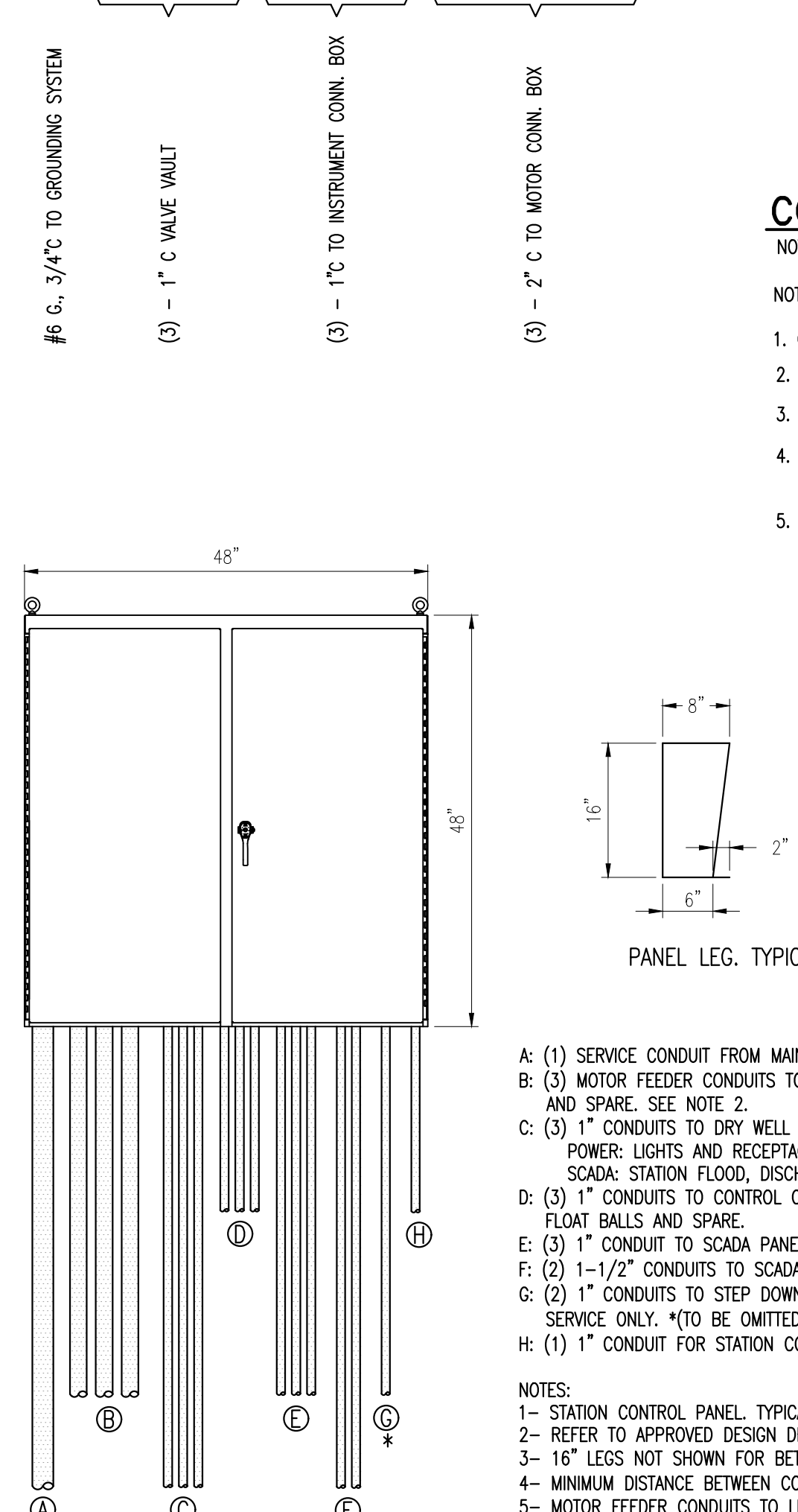
SECTION A
SCALE: 3/4" = 1'-0"

THESE ARE NOT CONSTRUCTION DRAWINGS. THE INFORMATION HEREIN CONTAINED SHALL ONLY BE USED AS GENERAL GUIDELINE OF THE INTENDED OPERATION AND FUNCTIONS AND SHALL NOT BE CONSTRUED AS ALL INCLUSIVE. ENGINEERS OF RECORD AND CONSULTANTS USING THESE GUIDELINES SHALL VERIFY AND MODIFY ANY REQUIREMENT NOT NECESSARILY SHOWN AS MAY BE REQUIRED BY ANY AND ALL APPLICABLE CODES AND STANDARDS.



ANTENNA MOUNTING DETAIL
N.T.S.

- NOTE:**
- RUN ANTENNA WIRE FROM SCADA RTU PANEL TO ANTENNA THROUGH 2" POST.
 - TELEMETRY ANTENNA FOUNDATION IS WSD STANDARD AND COMPLIES WITH FBC CHAPTER 16.



TYPICAL PANEL CONDUIT LAYOUT FOR DRY WELL-WET WELL STATIONS, 2 PUMPS, 480V, 3PH

MIAMI-DADE COUNTY
Delivering Excellence Every Day
WATER & SEWER DEPARTMENT
3071 SW 38TH AVENUE
MIAMI, FL 33146-1520
305-665-7471
www.miamidade.gov/water
UTILITY ENGINEERING & CONSTRUCTION DIV.
3575 SOUTH LE JEUNE ROAD
MIAMI, FL 33133
786-552-4440

PCTS 0000/CONTRACT X-000 or RPQ/ERX00000
PUMPING STATION No. 0000 (STD. UPDATE 2019)
SUBMERSIBLE PUMPING STATION WITH GENERATOR
PROJECT OFFICIAL ADDRESS
ELECTRICAL CONTROL PANEL AND DETAILS

DRAWING HISTORY			
RELEASED FOR	DATE	BY	
X	REVIEW 00%	xx/xx/xx	xxx
	REVIEW 00%		
	PERMIT		
	BID		
	AS-BUILT		

REVISIONS			
No.	DESCRIPTION	DATE	BY
Δ	XXXXXXXX	xx/xx/xx	xxx
	XXXXXXXX		

APPROVALS
DESIGNED: X.X.X. DRAWN: X.X.X.
UNIT HEAD: X.X.X.
PROJECT MGR.: X.X.X.

FILE NAME: XXXXXX.DWG
DATE: xx/xx/20xx SCALE: AS NOTED
SHEET **E-5**
DWG. No. **S-00000-D**