

**PCTS 00000/CONTRACT X-000 or RPQ/ERX00000**  
**SUBMERSIBLE PUMPING STATION WITH GENERATOR**  
**PUMPING STATION No. 0000 (UPDATE 2015)**  
 PROJECT OFFICIAL ADDRESS

**WET WELL AND VALVE VAULT**  
**STRUCTURAL PLAN, SECTIONS AND DETAILS**

**DRAWING HISTORY**

RELEASED FOR	DATE	BY
X REVIEW 90%	06/19/15	LMS
X REVIEW 00%		
PERMIT		
BID		
AS-BUILT		

**REVISIONS**

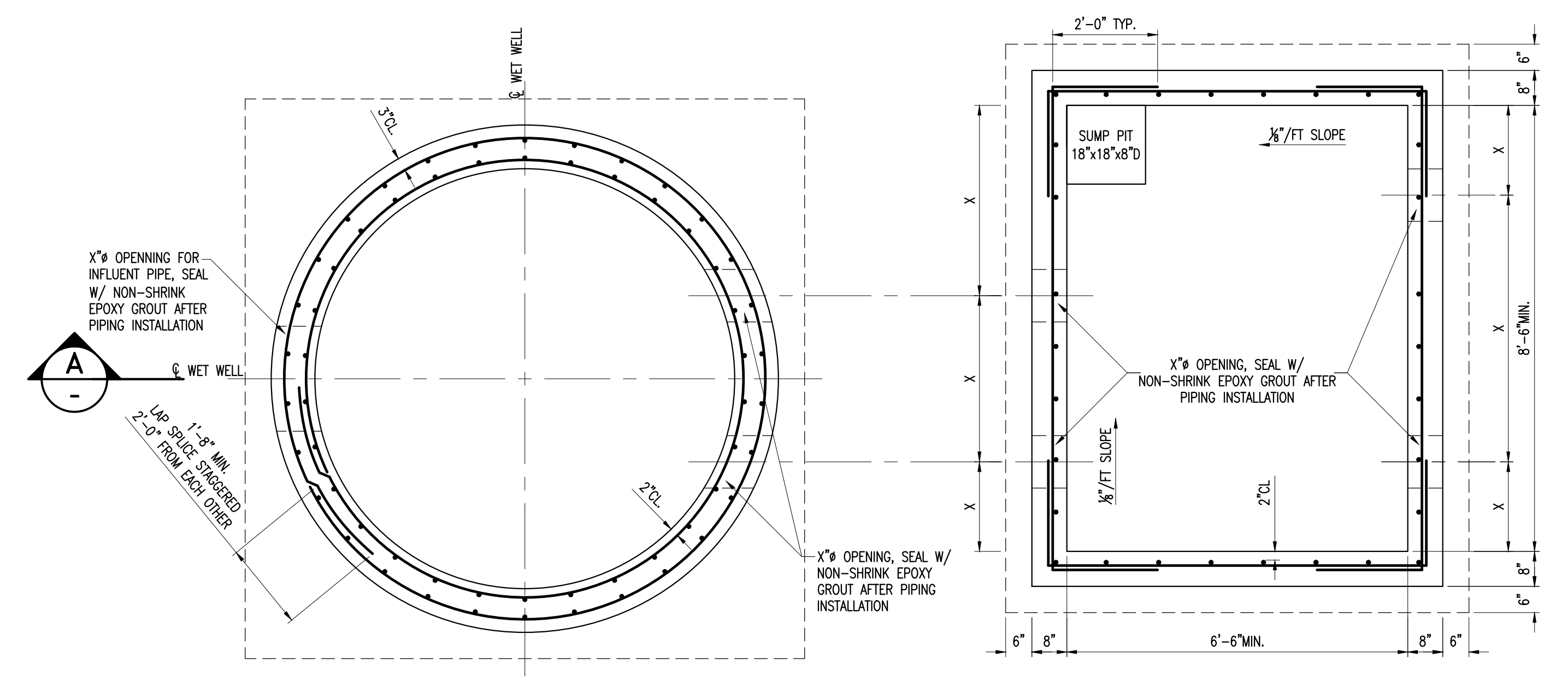
No.	DESCRIPTION	DATE	BY
Δ XXXXXX		06/19/15	LMS
XXXXXX			

**APPROVALS**

PROJECT MGR: X.X.X	CHECKED: X.X.X
DESIGNED: X.X.X	DRAWN: X.X.X
CHIEF ENGINEER: J.B.F.	
DESIGN MGR.: R.J.A.	
SECTION HEAD: X.X.X	

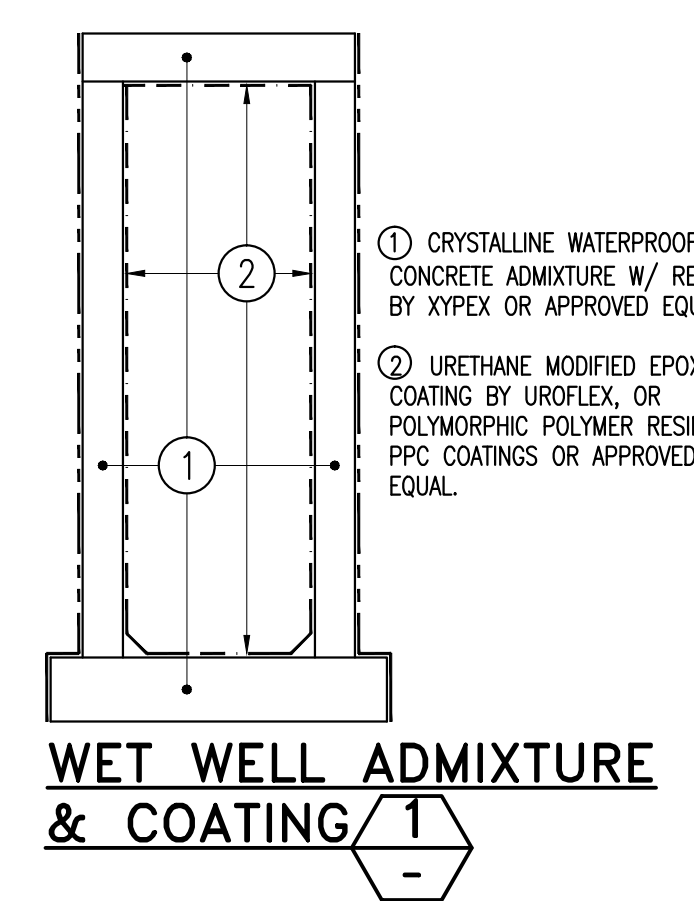
Xxxx Xxxxx, P.E.  
 Xxxxx Engineer  
 State of Florida—License No.00000  
 Date: \_\_\_\_\_

FILE NAME: 00000X00.DWG  
 DATE: 06/19/2015 SCALE: AS NOTED  
**SHEET S-2**  
 DWG. No. X-00000-D

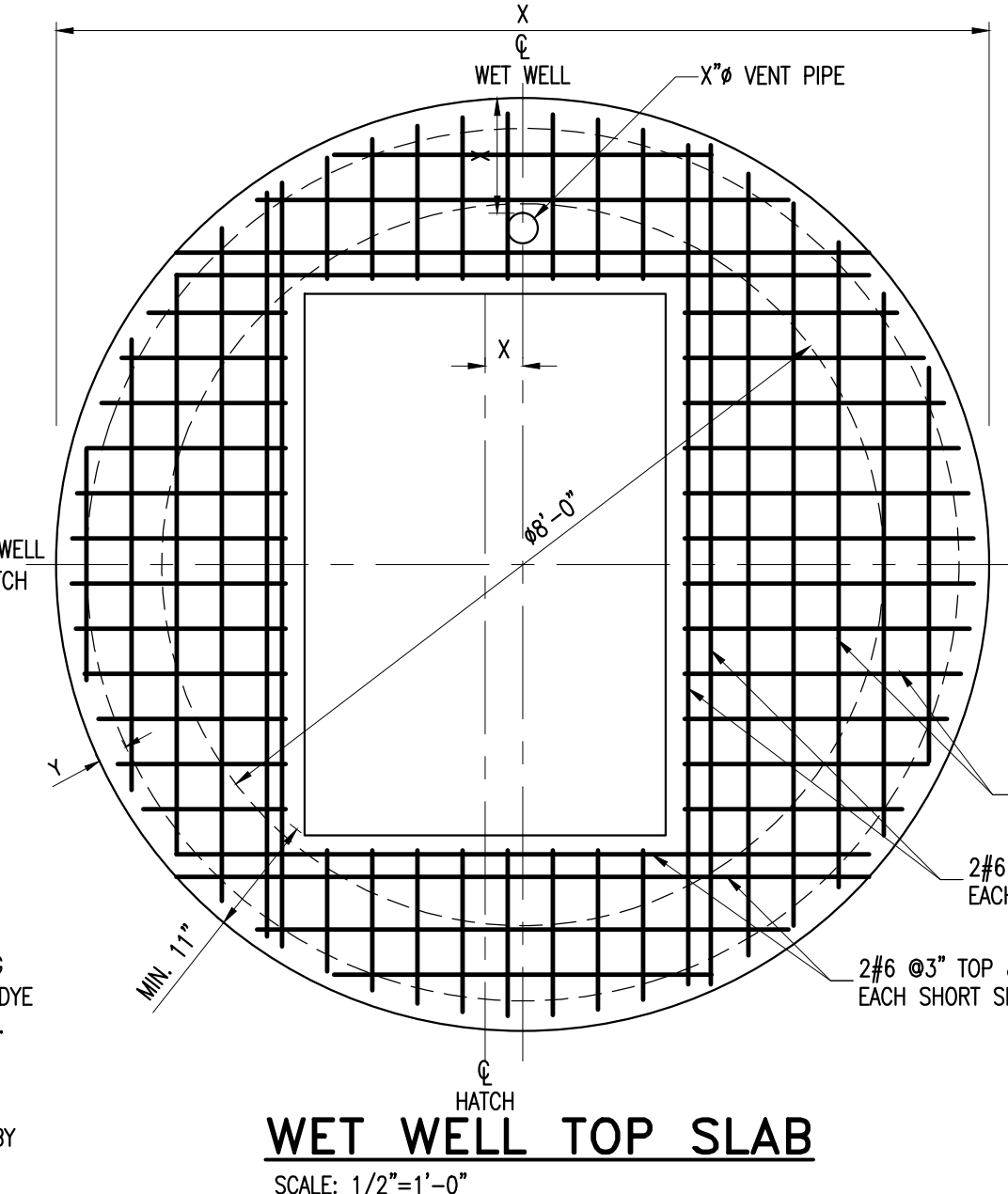


**WET WELL AND VALVE VAULT SECTION PLAN**  
 SCALE: 1/2"=1'-0"

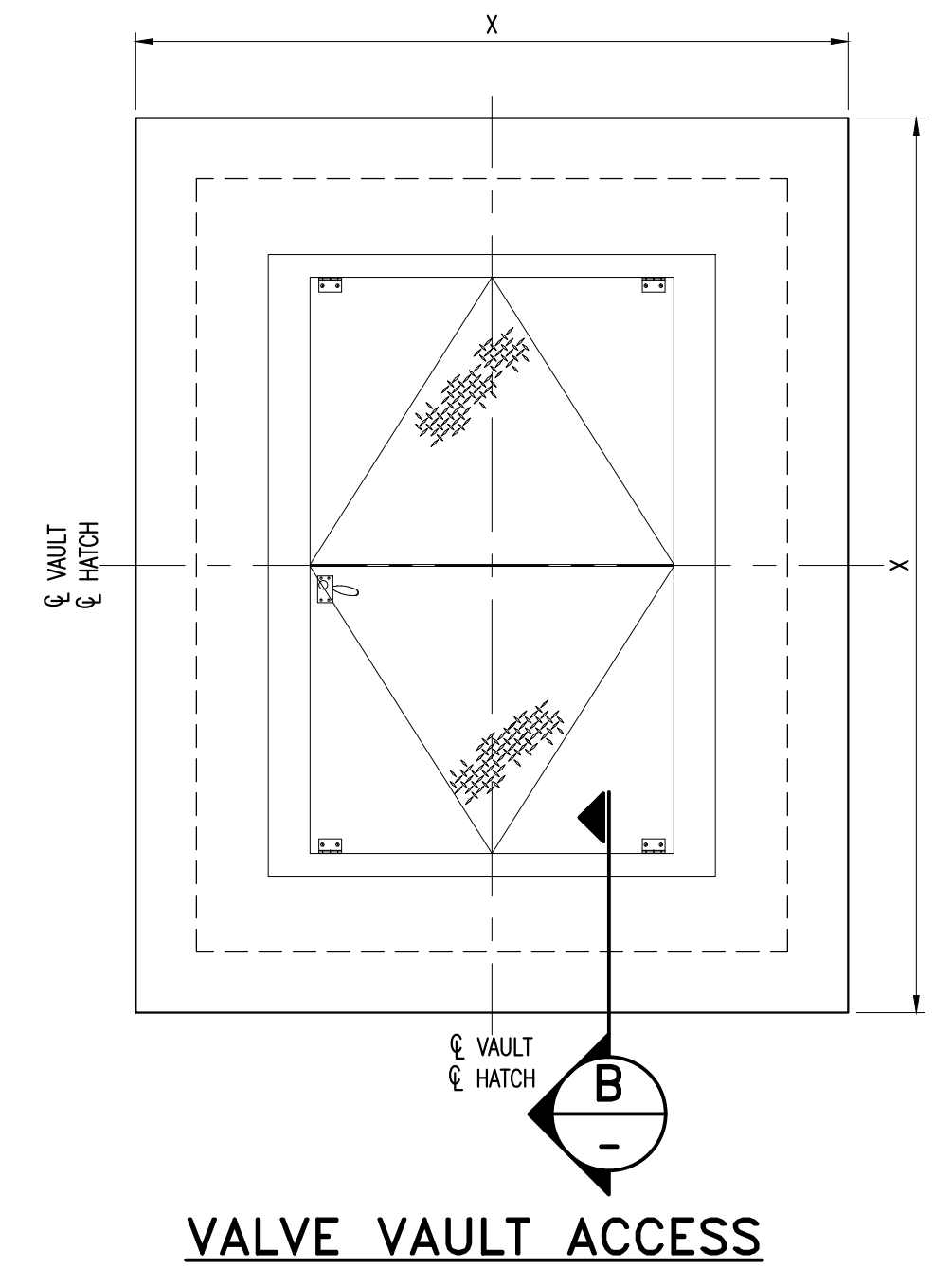
**NOTE:**  
 THE SIZE AND LOCATION OF THE OPENINGS FOR THE PIPES, CONDUITS AND FLOOR ACCESS DOORS SHALL BE IN ACCORDANCE WITH THE DESIGN OF THE PIPING LAYOUT, THE ELECTRICAL PLAN AND AS PER PUMP MANUFACTURERS RECOMMENDATION.



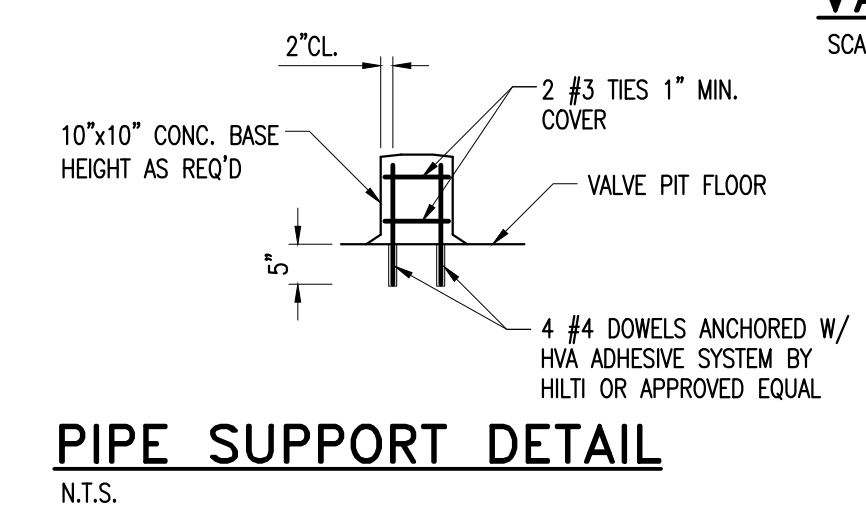
**WET WELL ADMIXTURE & COATING**  
 SCALE: 1/2"=1'-0"



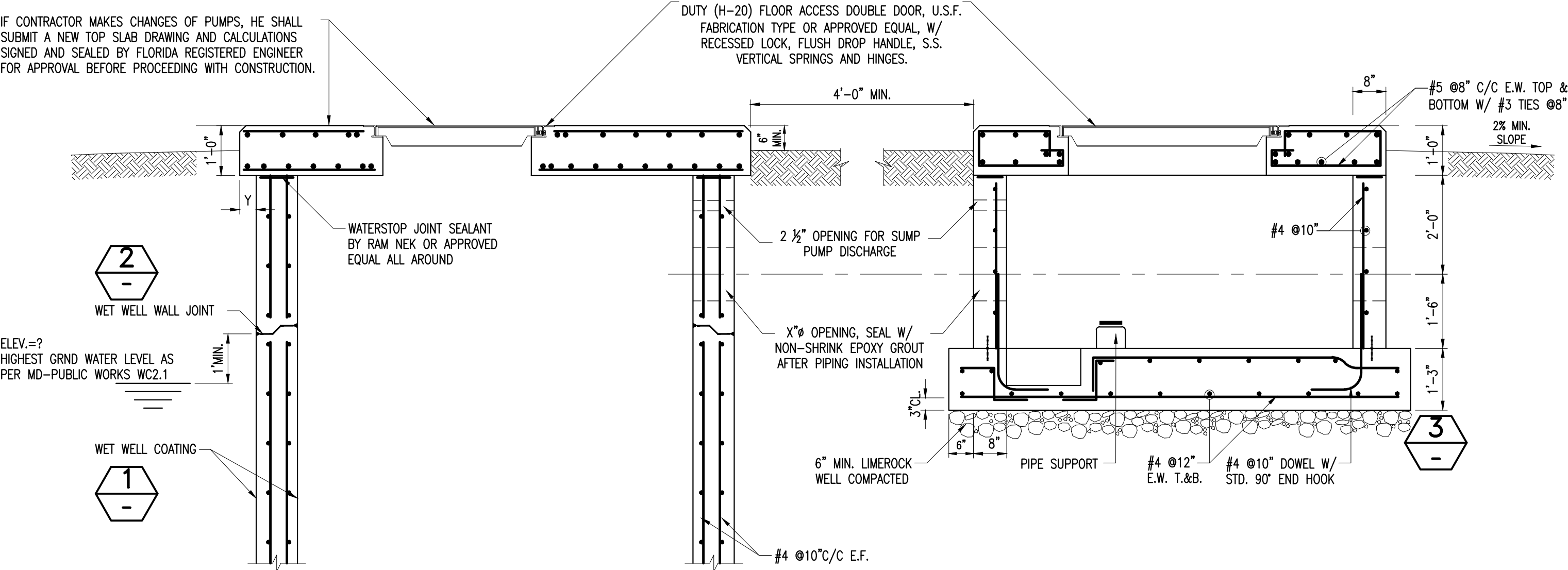
**WET WELL TOP SLAB**  
 SCALE: 1/2"=1'-0"



**VALVE VAULT ACCESS**  
 SCALE: 1/2"=1'-0"



**PIPE SUPPORT DETAIL**  
 N.T.S.

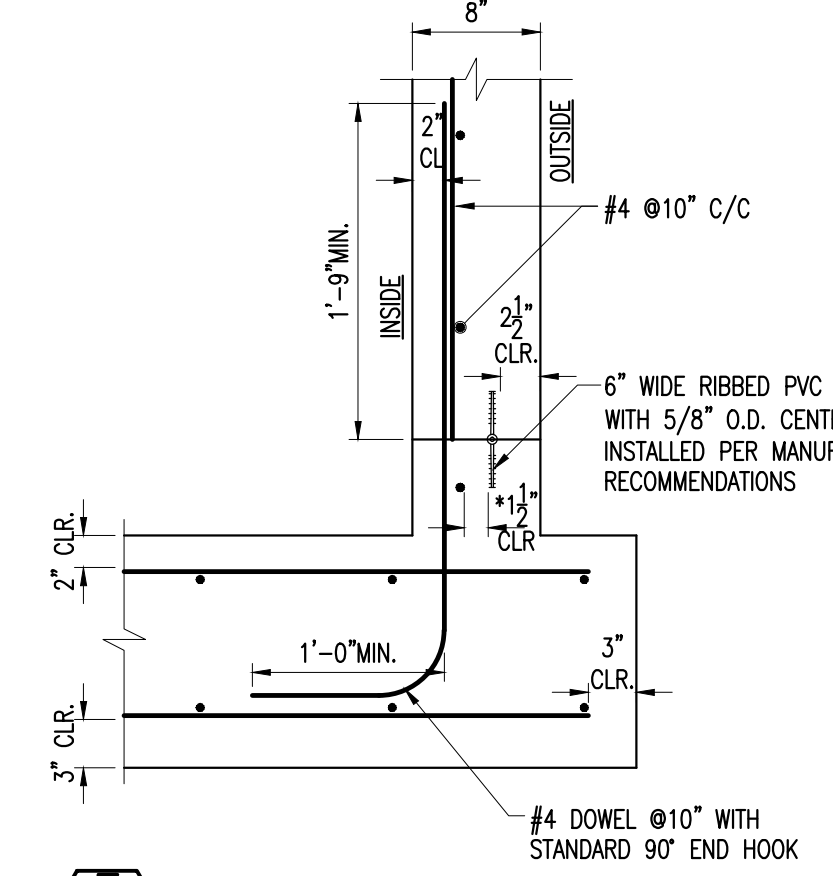


**NOTE:**  
 DURING INSTALLATION KEEP WET WELL FULL OF WATER UNTIL THE BACKFILL HAS BEEN PLACED OUTSIDE

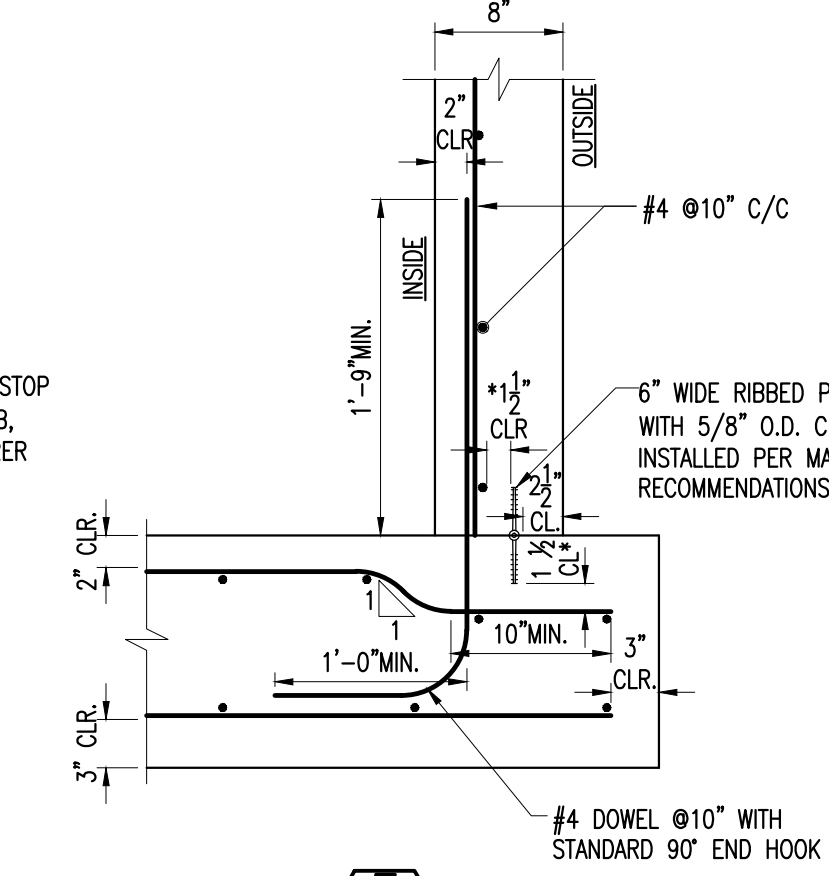
IF CONTRACTOR MAKES CHANGES OF PUMPS, HE SHALL SUBMIT A NEW TOP SLAB DRAWING AND CALCULATIONS SIGNED AND SEALED BY FLORIDA REGISTERED ENGINEER FOR APPROVAL BEFORE PROCEEDING WITH CONSTRUCTION.

CONCRETE TOP SLAB CAST WITH ALUMINUM HEAVY DUTY (H-20) FLOOR ACCESS DOUBLE DOOR, U.S.F. FABRICATION TYPE OR APPROVED EQUAL, W/ RECESSED LOCK, FLUSH DROP HANDLE, S.S. VERTICAL SPRINGS AND HINGES.

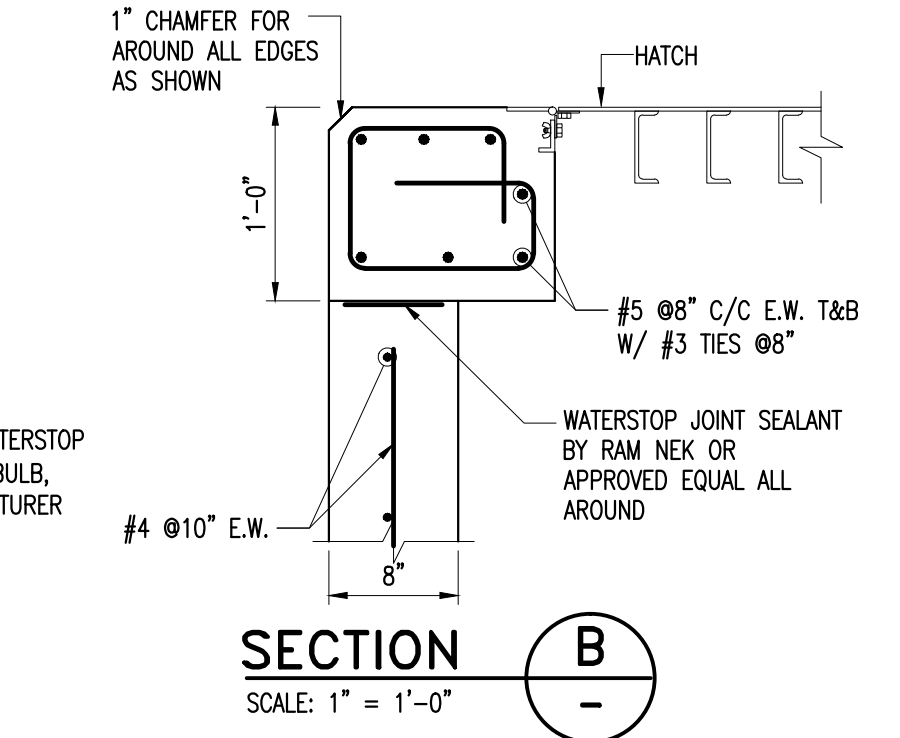
**VALVE VAULT CONSTRUCTION JOINTS**



**3 BOTTOM SLAB TO WALL JOINT**  
 SCALE: 1"=1'-0"



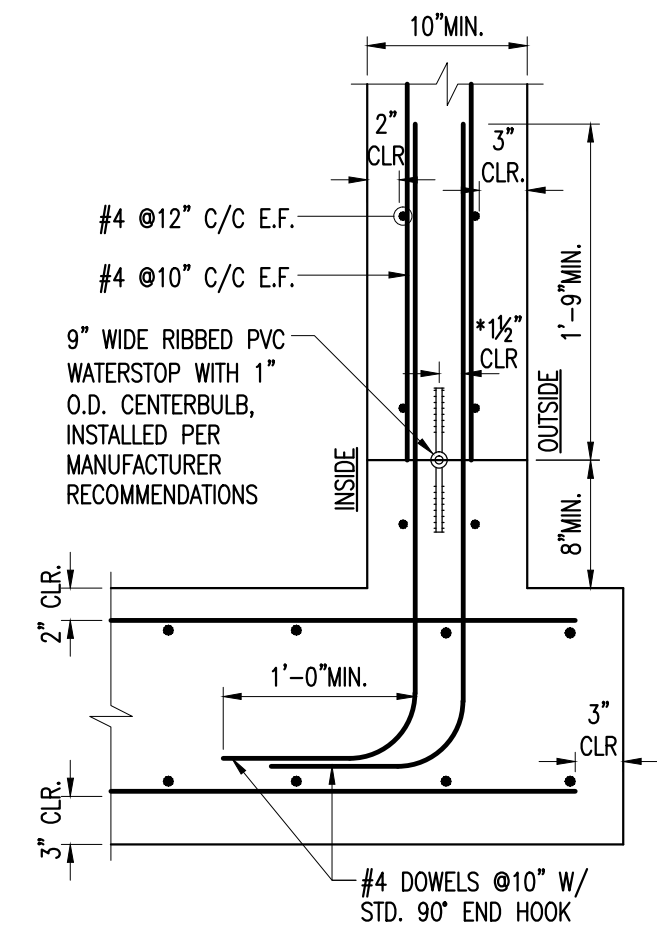
**OPTIONAL 3**  
 SCALE: 1"=1'-0"



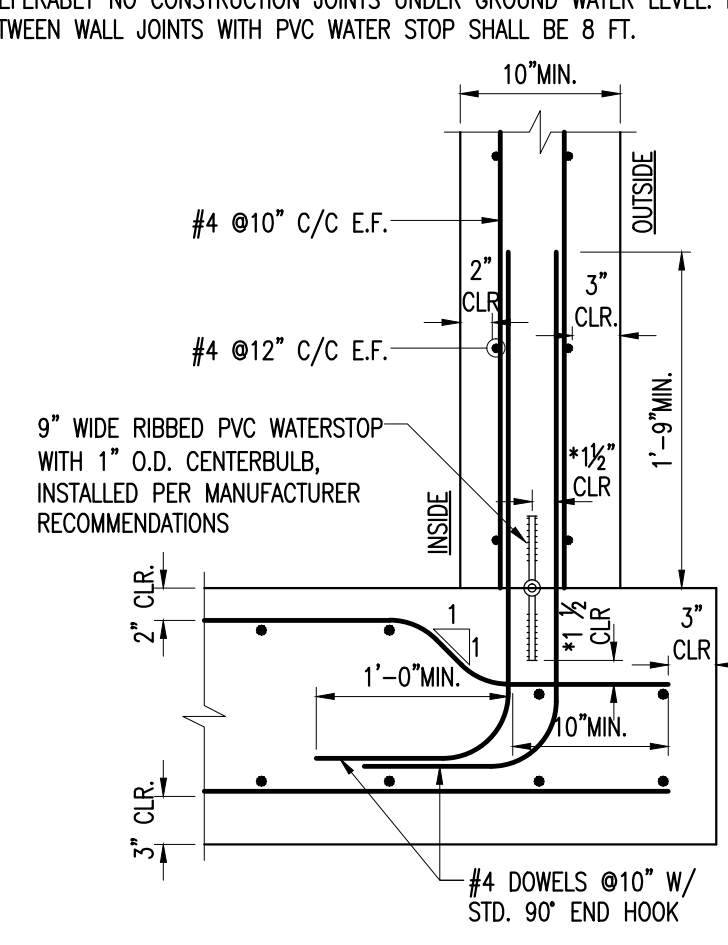
**SECTION B**  
 SCALE: 1"=1'-0"

**WET WELL CONSTRUCTION JOINTS**

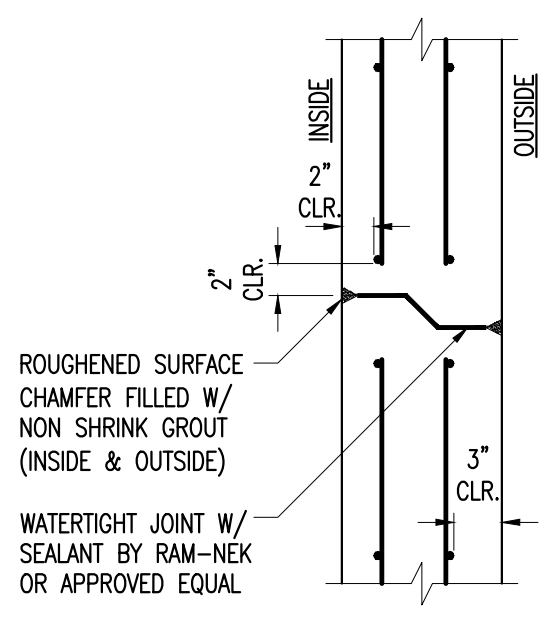
**NOTE:** THE ENTIRE REINFORCED CONCRETE STRUCTURE FOR THE WET WELL SHALL BE WATERTIGHT. PREFERABLY NO CONSTRUCTION JOINTS UNDER GROUND WATER LEVEL. MINIMUM DISTANCE BETWEEN WALL JOINTS WITH PVC WATER STOP SHALL BE 8 FT.



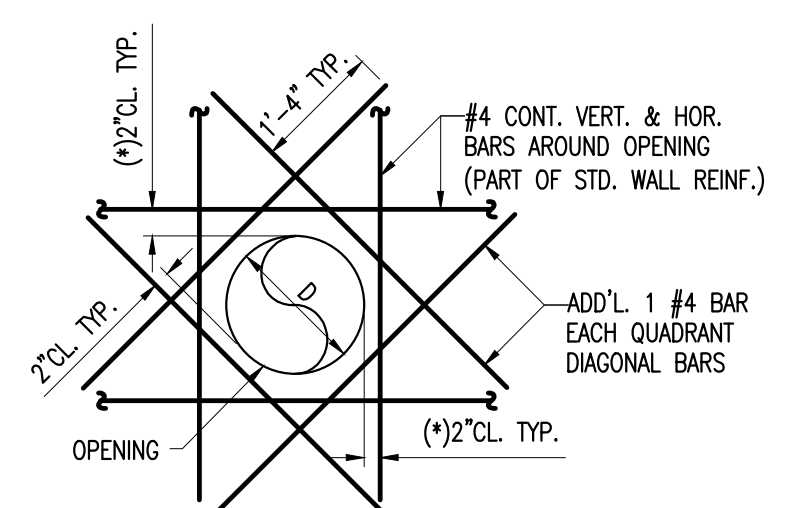
**4 BOTTOM SLAB TO WALL JOINT**  
 SCALE: 1"=1'-0"



**OPTIONAL 4**  
 SCALE: 1"=1'-0"



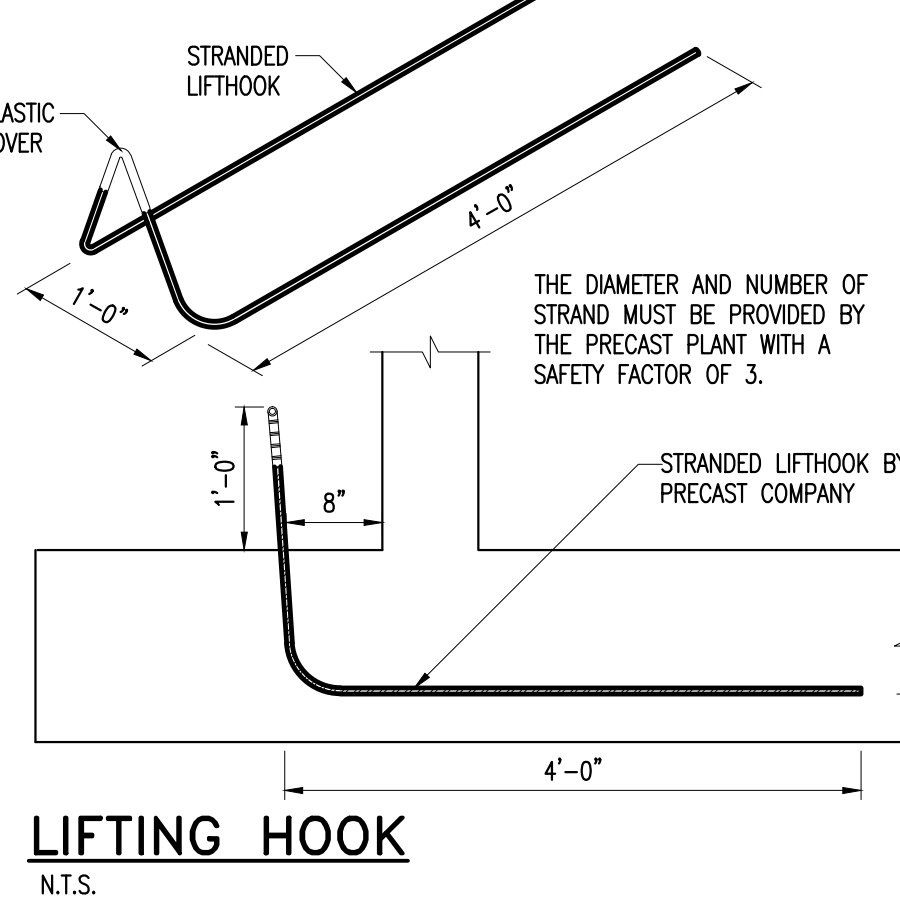
**WALL JOINT 2**  
 SCALE: 1"=1'-0"



**WALL OPENING**  
 TYPICAL ADDITIONAL WALL REINFORCING AROUND HOLE OPENINGS (ROUND OR SQUARE).  
 (\*) ANY VERTICAL OR HORIZONTAL BAR AT MORE THAN 3" AWAY FROM EDGE OF OPENING SHALL HAVE ADDITIONAL 1 #4 BAR WITH LENGTH=(D+36"), PLACED AT 2" CLEAR FROM OPENING.

**NOTES TO THE ENGINEER OF RECORD:**

- THESE ARE NOT CONSTRUCTION DRAWINGS, BUT ARE GUIDELINES FOR MINIMUM DESIGN REQUIREMENTS. THE USER SHALL VERIFY AND MODIFY THE INFORMATION SHOWN HEREIN IN ACCORDANCE WITH ALL APPLICABLE CODES AND STANDARDS, TO COMPLY WITH THE REQUIREMENTS OF THEIR DESIGN AND MD-WASD REQUIREMENTS.
- THIS DRAWING HAS SOME DIMENSIONS THAT NEED TO BE DETERMINED BY THE ENGINEERS WHO DESIGN THE PUMP STATION, AND THE DIMENSIONS "X" AND "Y" NEED TO BE PROVIDED.
- THE VALVE VAULT ACCESS DOOR MUST BE SIZED AND LOCATED AS REQUIRED FOR PROPER EQUIPMENT OPERATION AND MAINTENANCE.
- THE WET WELL ACCESS DOOR MUST BE SIZED AND LOCATED ACCORDING TO THE REQUIREMENTS OF THE PUMPS MANUFACTURER.
- THE WET WELL CONCRETE TOP SLAB WITH ACCESS DOOR SHALL BE DESIGNED FOR H-20 LIVE LOAD.
- THE WET WELL TOP SLAB DETAIL MUST BE SHOWN ON SCALE. PROVIDE PLAN VIEW WITH DIMENSIONS AND LOCATION OF THE ACCESS DOOR. THE DISTANCE BETWEEN THE CORNER OF THE OPENING AND THE EDGE OF THE SLAB MUST BE 11" MINIMUM AND "Y" COULD BE ZERO.
- THE SIZE AND LOCATION OF THE OPENINGS FOR THE PIPES, CONDUITS AND FLOOR ACCESS DOOR SHALL BE IN ACCORDANCE WITH THE DESIGN OF THE PIPING LAYOUT, THE ELECTRICAL PLAN AND AS PER PUMP MANUFACTURERS RECOMMENDATION.



**LIFTING HOOK**  
 N.T.S.