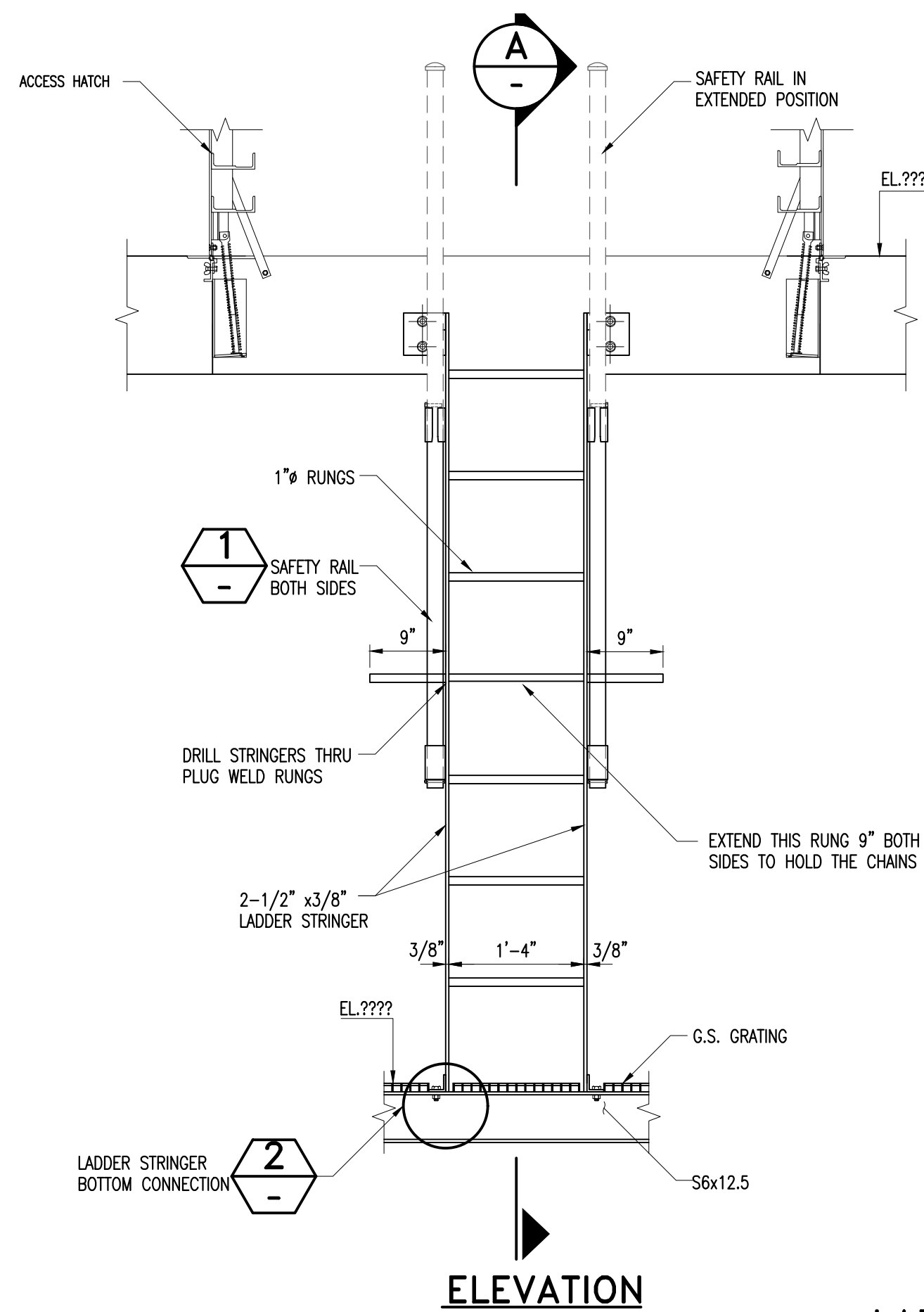


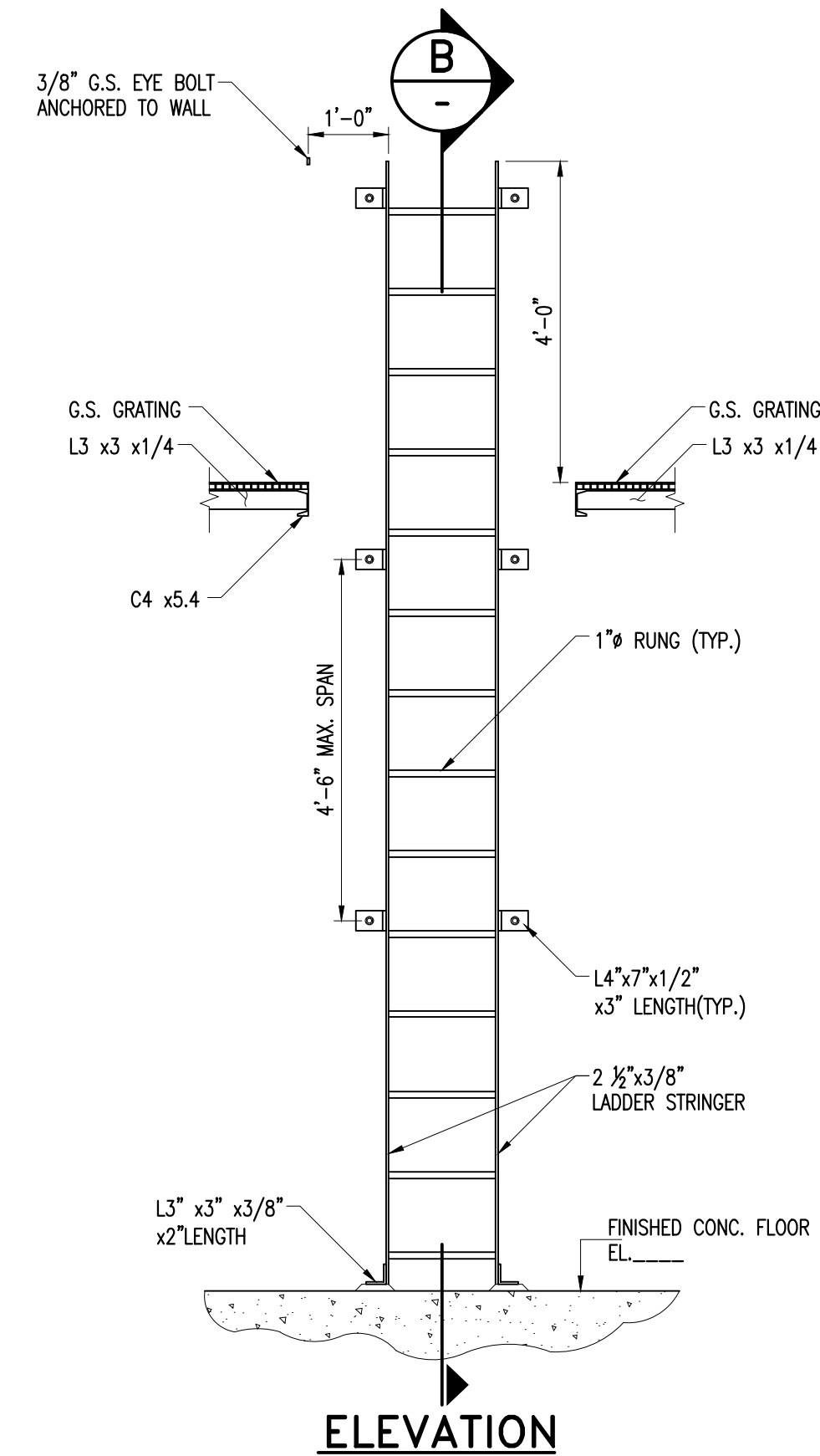
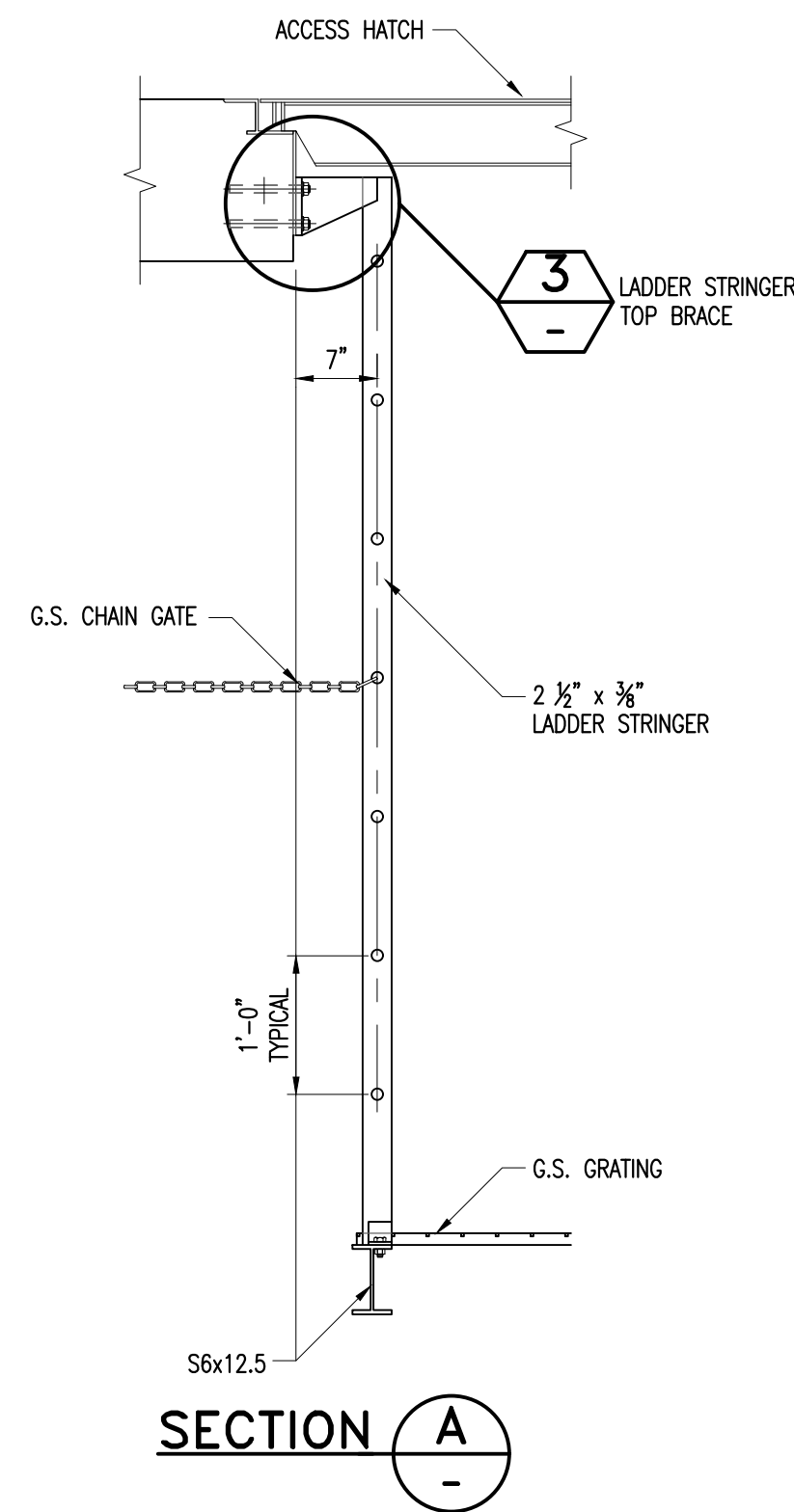
**GENERAL NOTE**  
THESE ARE NOT CONSTRUCTION DRAWINGS, BUT ARE GUIDELINES FOR MINIMUM DESIGN REQUIREMENTS. THE USER SHALL VERIFY AND MODIFY INFORMATION SHOWN HEREON IN ACCORDANCE WITH ALL APPLICABLE CODES AND STANDARDS, TO COMPLY WITH THE REQUIREMENTS OF THEIR DESIGN AND MD-WASD REQUIREMENTS.

**PUMP STATION No. 0000**  
FACTORY OFFICIAL ADDRESS: FLORIDA 33100-0000  
**DRY WELL/ WET WELL SEWAGE PUMP STATION**  
**2012 WASD DESIGN STANDARD**  
**LADDER DETAILS**



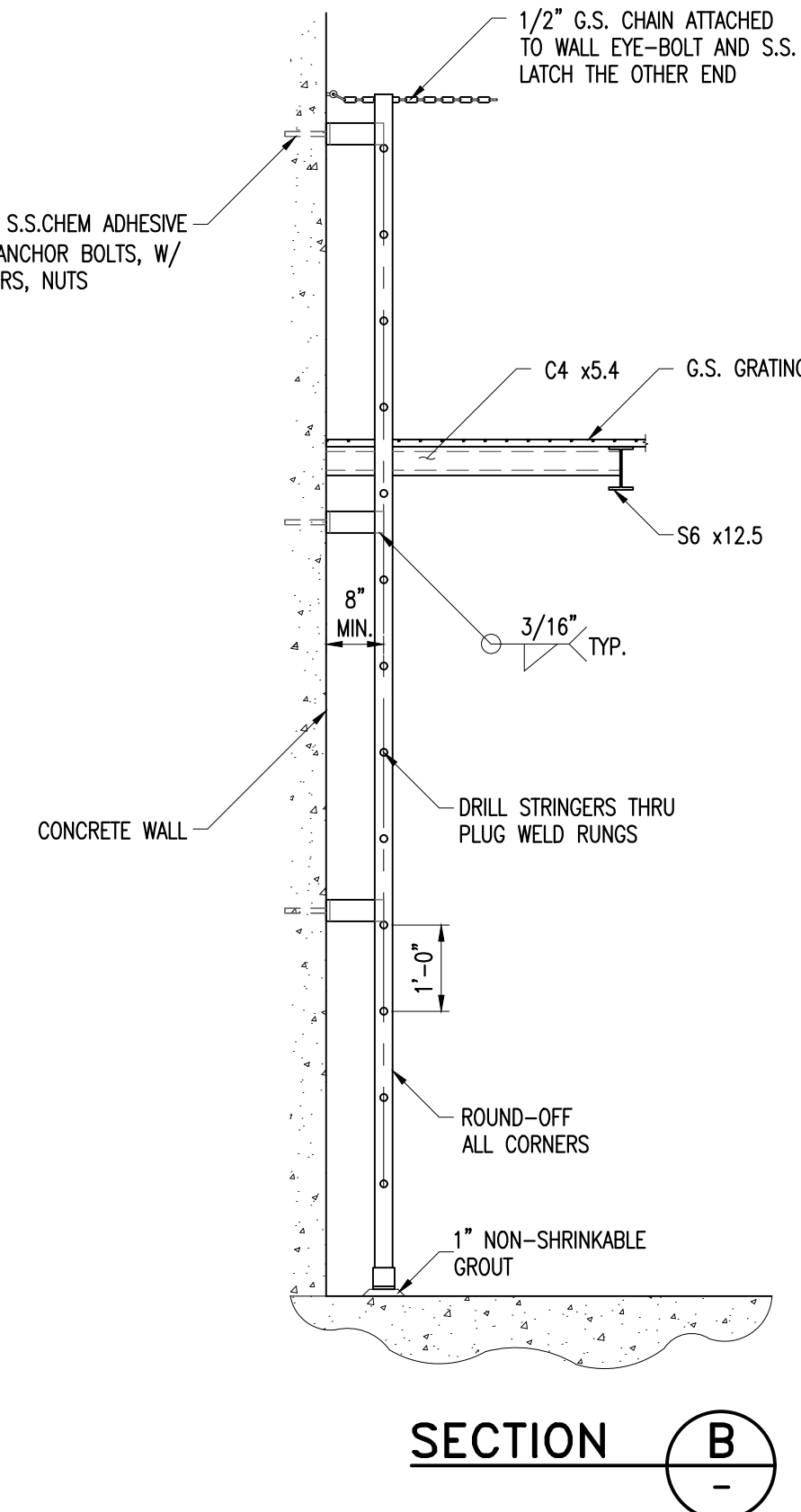
**ELEVATION**

**LADDER No. 1**  
SCALE: 3/4"=1'-0"  
GALVANIZED STEEL LADDER WITH SAFETY RAIL AS MANUFACTURED BY BILCO OR APPROVED EQUAL (SUBMIT SHOP DRAWINGS BEFORE FABRICATION)

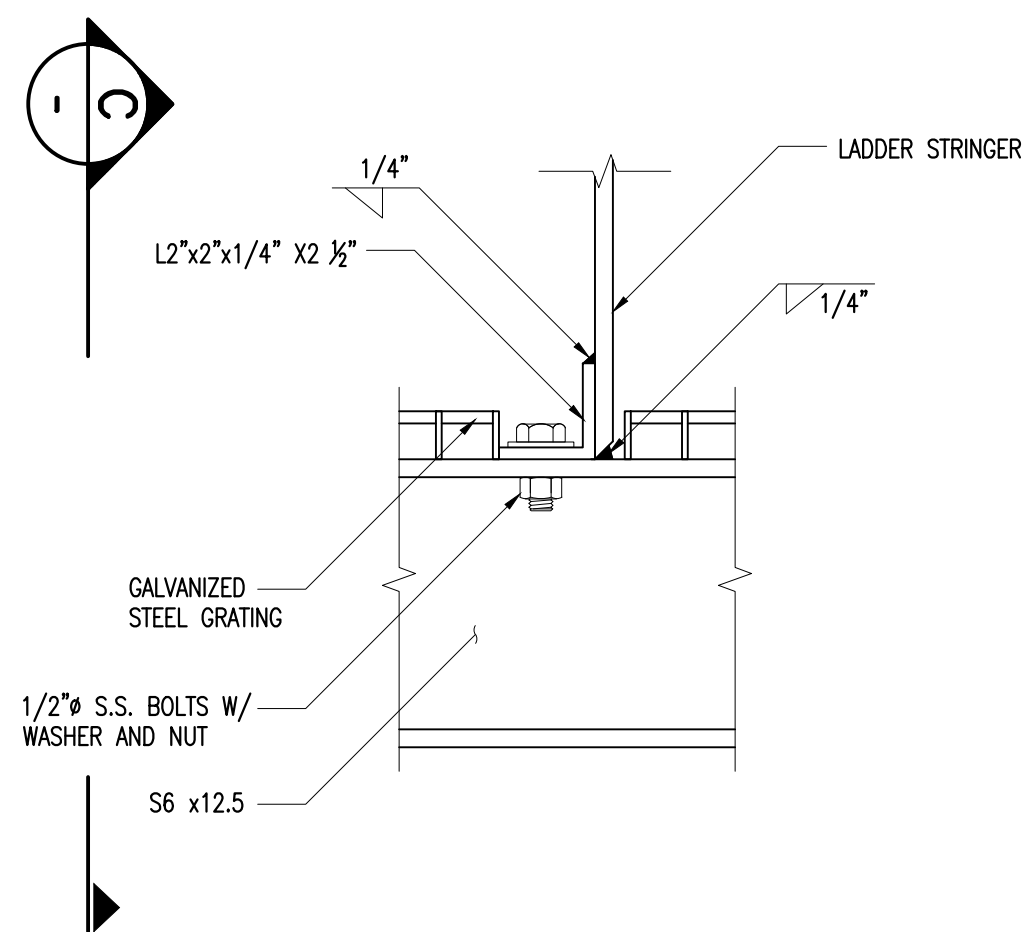
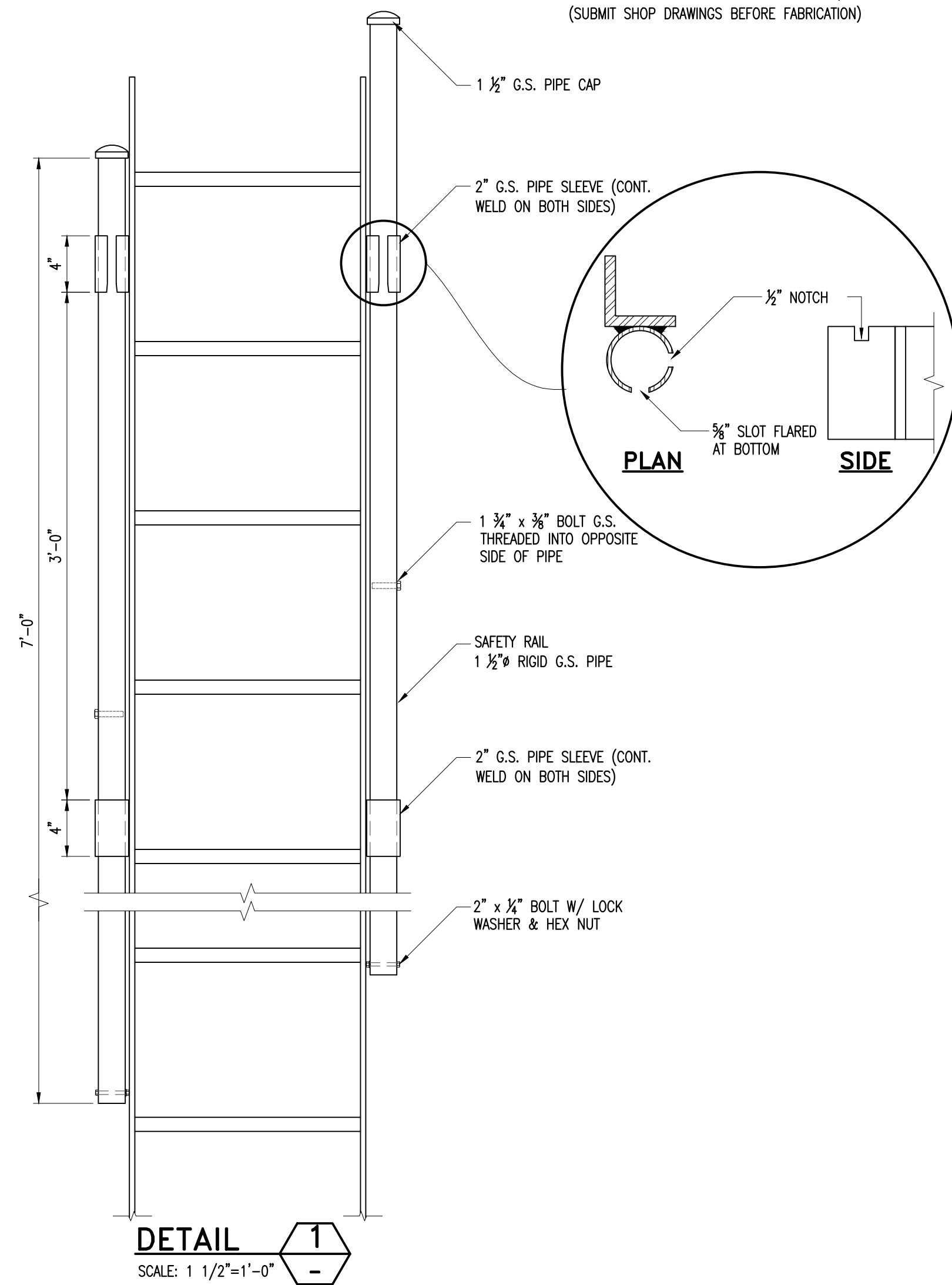


**ELEVATION**

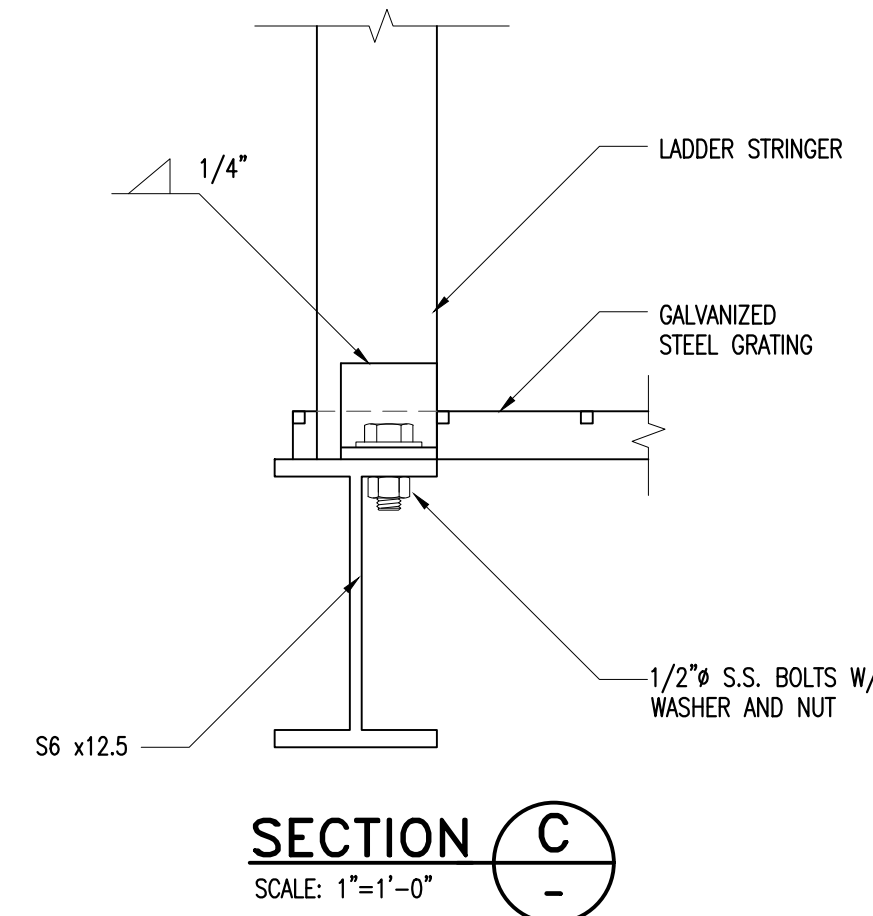
**LADDER No. 2**  
SCALE: 1/2"=1'-0"  
GALVANIZED STEEL LADDER WITH SAFETY RAIL AS MANUFACTURED BY BILCO OR APPROVED EQUAL (SUBMIT SHOP DRAWINGS BEFORE FABRICATION)



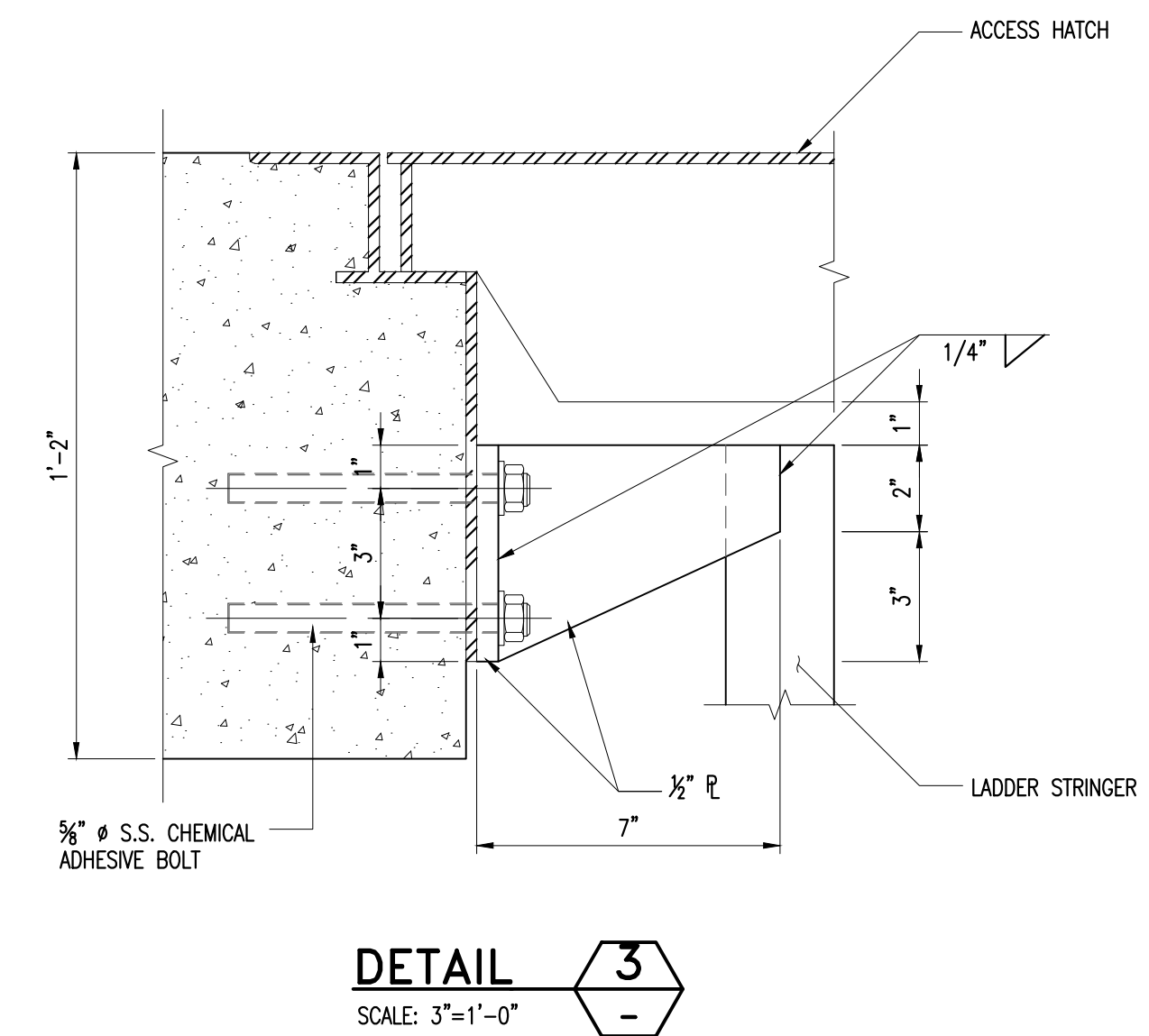
**SECTION B**



**DETAIL 2**  
SCALE: 3"=1'-0"



**SECTION C**  
SCALE: 1"=1'-0"



**DETAIL 3**  
SCALE: 3"=1'-0"

DRAWING HISTORY			
RELEASED FOR	DATE	BY	
REVIEW 30%			
REVIEW 70%			
REVIEW 100%			
PERMIT			
REVISIONS			
No.	DESCRIPTION	DATE	BY
APPROVALS			
CHIEF ENGINEER:			
SECTION HEAD:			
PROJECT MGR.:			
DESIGNED: X.X.X.	CHECKED: X.X.X.		
DRAWN: X.X.X.	FINAL CHECK: X.X.X.		
XXXXXXXX XXXXX, P.E. XXXXXXXXXX Engineer State of Florida - License No. 00000 Date:			
ER No. : S00000	PCTS No. : 0000		
FILE NAME: 00000S03.DWG			
DATE: AUG. 28, 2012 SCALE: AS NOTED			
SHEET			<b>S-3</b>
DWG. No. <b>S-00000-A</b>			