

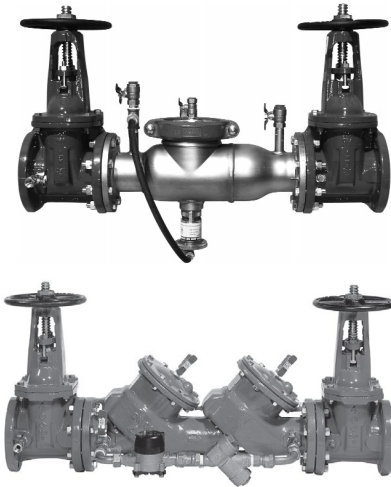


Sheet Number: 4.6

Product Specifications

Miami-Dade Water & Sewer Department
 Address: 3071 SW 38th Ave, Miami, FL 33146
 Phone: (786) 552-4438
 Email: WASH-STANDARDS@miamidade.gov

Backflow Prevention Assemblies



Minimum Standards

- MDWASD Specifications: Section 33 14 51 (15130) & 40 05 58 (15100)

Other Requirements

- Minimum Working Pressure: 150 psi

Applications

- Water

PRE-APPROVED MANUFACTURER

Issue Date:

4/4/2016

Backflow Prevention Assemblies approved to be used in WASD facilities are the ones listed in the University of Southern California Foundation at www.usclist.com or <https://fccchr.usc.edu/list.html>

Revised Date:

02/23/2022

APPROVED PRODUCTS / MODELS

SIZE	MANUFACTURER	MODEL	SUBMITTED
			<input type="checkbox"/>
			<input type="checkbox"/>
			<input type="checkbox"/>

SIZE FURNISHED:

- | | | |
|---------------------------------|-----------------------------|--------------------------------|
| <input type="checkbox"/> 3/4" | <input type="checkbox"/> 2" | <input type="checkbox"/> 8" |
| <input type="checkbox"/> 1" | <input type="checkbox"/> 4" | <input type="checkbox"/> Other |
| <input type="checkbox"/> 1 1/2" | <input type="checkbox"/> 6" | |

COMMENTS: _____

Approved by: MDWASD DEPARTMENTAL STANDARDS, SPECIFICATIONS AND PRODUCTS COMMITTEE

Revision History:

02/23/2022 – Added URL of University of Southern California Foundation List of Approved Backflow Prevention Assemblies.